

Project	IEEE 802.16 Broadband Wireless Access Working Group < http://ieee802.org/16 >	
Title	Annex F example of MIH Information exchange prior to Authentication	
Date Submitted	2007-02-15	
Source(s)	Ronny Kim - LG Electronics Phillip Barber - Huawei Peretz Feder - Alcatel-Lucent	ronnykim@lge.com pbarber@broadbandmobiletech.com pfeder@alcatel-lucent.com
Re:	IEEE 802.16 Session #47 plus	
Abstract	This contribution proposes the updates of IEEE 802.16g D5 document in order to support IEEE 802.21 Media Independent Information Services.	
Purpose	Update 802.16g draft to show MIH exchange examples	
Notice	This document has been prepared to assist IEEE 802.16. It is offered as a basis for discussion and is not binding on the contributing individual(s) or organization(s). The material in this document is subject to change in form and content after further study. The contributor(s) reserve(s) the right to add, amend or withdraw material contained herein.	
Release	The contributor grants a free, irrevocable license to the IEEE to incorporate material contained in this contribution, and any modifications thereof, in the creation of an IEEE Standards publication; to copyright in the IEEE's name any IEEE Standards publication even though it may include portions of this contribution; and at the IEEE's sole discretion to permit others to reproduce in whole or in part the resulting IEEE Standards publication. The contributor also acknowledges and accepts that this contribution may be made public by IEEE 802.16.	
Patent Policy and Procedures	The contributor is familiar with the IEEE 802.16 Patent Policy and Procedures < http://ieee802.org/16/ipr/patents/policy.html >, including the statement "IEEE standards may include the known use of patent(s), including patent applications, provided the IEEE receives assurance from the patent holder or applicant with respect to patents essential for compliance with both mandatory and optional portions of the standard." Early disclosure to the Working Group of patent information that might be relevant to the standard is essential to reduce the possibility for delays in the development process and increase the likelihood that the draft publication will be approved for publication. Please notify the Chair < mailto:chair@wirelessman.org > as early as possible, in written or electronic form, if patented technology (or technology under patent application) might be incorporated into a draft standard being developed within the IEEE 802.16 Working Group. The Chair will disclose this notification via the IEEE 802.16 web site < http://ieee802.org/16/ipr/patents/notices >.	

Annex F example of MIH Information prior to Authentication

Ronny (Yong-Ho) Kim - LG Electronics

Phillip Barber - Huawei

Peretz Feder - Alcatel-Lucent

1. Introduction

In session 47 we introduced amendments in support of 802.21 services. This Contribution provides an example in Annex F of MIH exchange between MS and MIH Information Service node. The two examples provide pre authentication MIH exchange in broadcast and unicast modes.

F.4 MIH Exchange Procedure Prior to Authentication

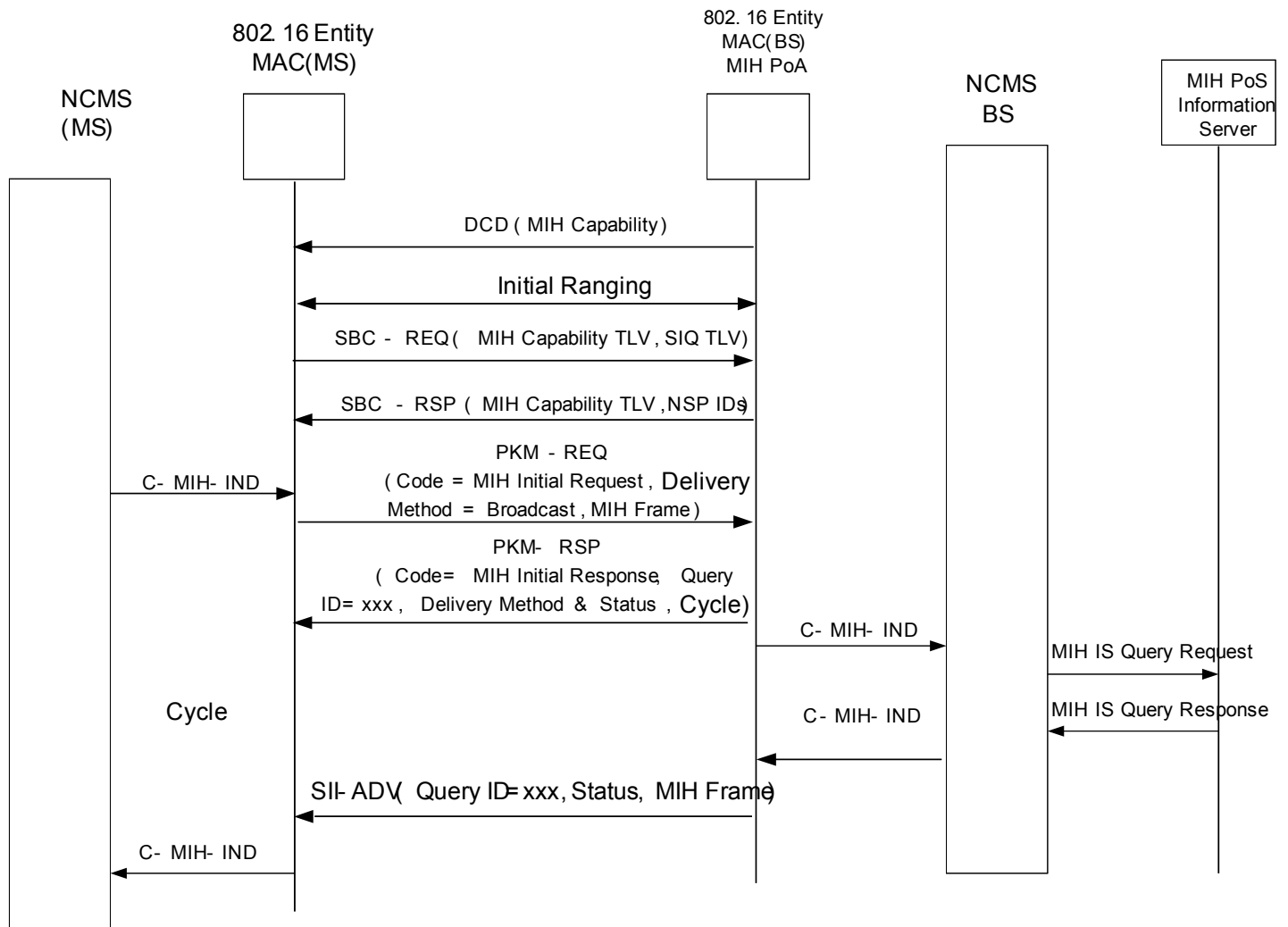


Figure F8. Pre authenticated MIH exchange using broadcast delivery method.

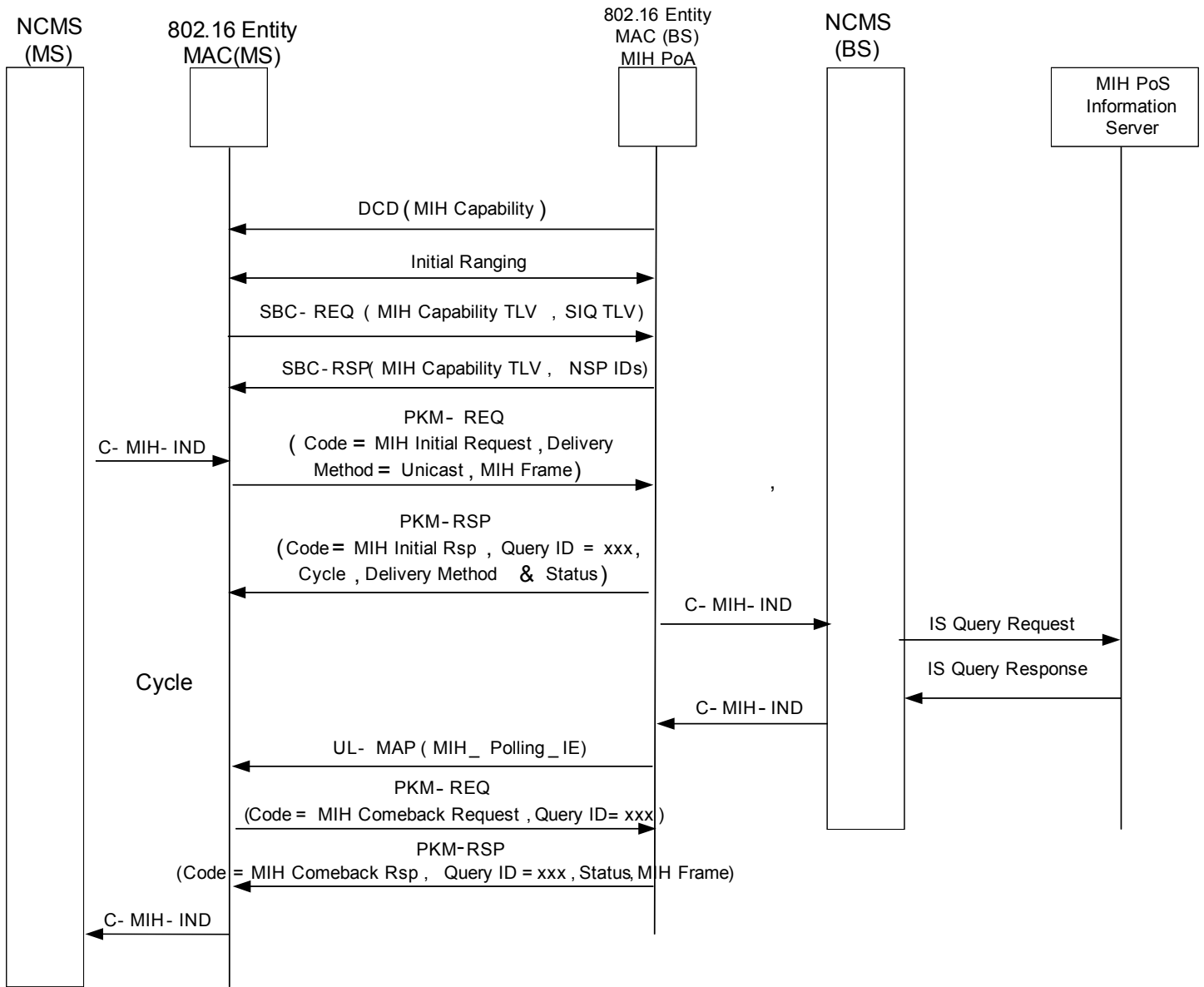


Figure F9. Pre authenticated MIH exchange using unicast delivery method.