

A Generic Packet Convergence Sublayer (GPCS) for Supporting Multiple Protocols over 802.16 Air Interface

IEEE 802.16 Presentation Submission Template (Rev. 8.3)

Document Number:

IEEE S802.16g-05/025r1

Date Submitted:

2005-11-15

Source:

Brian Petry

Cygnus Communications, Inc.

2075 Las Palmas Dr.

Carlsbad, CA 92009

Voice: 760-448-4189

Fax:

E-mail: bpetry@cygnuscom.com

Venue:

IEEE 802.16 session #40, Vancouver

Base Document:

IEEE C802.16g-05/025r2

http://ieee802.org/16/netman/contrib/C80216g-05_025r2.pdf

Purpose:

Slides to support and facilitate discussion of GPCS proposal. Contributors ask 802.16g to review and approve GPCS.

Notice:

This document has been prepared to assist IEEE 802.16. It is offered as a basis for discussion and is not binding on the contributing individual(s) or organization(s). The material in this document is subject to change in form and content after further study. The contributor(s) reserve(s) the right to add, amend or withdraw material contained herein.

Release:

The contributor grants a free, irrevocable license to the IEEE to incorporate material contained in this contribution, and any modifications thereof, in the creation of an IEEE Standards publication; to copyright in the IEEE's name any IEEE Standards publication even though it may include portions of this contribution; and at the IEEE's sole discretion to permit others to reproduce in whole or in part the resulting IEEE Standards publication. The contributor also acknowledges and accepts that this contribution may be made public by IEEE 802.16.

IEEE 802.16 Patent Policy:

The contributor is familiar with the IEEE 802.16 Patent Policy and Procedures <<http://ieee802.org/16/ipr/patents/policy.html>>, including the statement "IEEE standards may include the known use of patent(s), including patent applications, provided the IEEE receives assurance from the patent holder or applicant with respect to patents essential for compliance with both mandatory and optional portions of the standard." Early disclosure to the Working Group of patent information that might be relevant to the standard is essential to reduce the possibility for delays in the development process and increase the likelihood that the draft publication will be approved for publication. Please notify the Chair <<mailto:chair@wirelessman.org>> as early as possible, in written or electronic form, if patented technology (or technology under patent application) might be incorporated into a draft standard being developed within the IEEE 802.16 Working Group. The Chair will disclose this notification via the IEEE 802.16 web site <<http://ieee802.org/16/ipr/patents/notices>>.

Generic Packet Convergence Sublayer (GPCS)

- What it is:
 - Another CS
 - A layering simplification to foster 802.16 conformance and allow a wide variety of upper layer protocol configurations
- What it isn't:
 - A replacement for already-defined packet CS layers
 - A solution to bridging and mobility convergence interoperability issues

Reference: 802.16 Protocol Layering

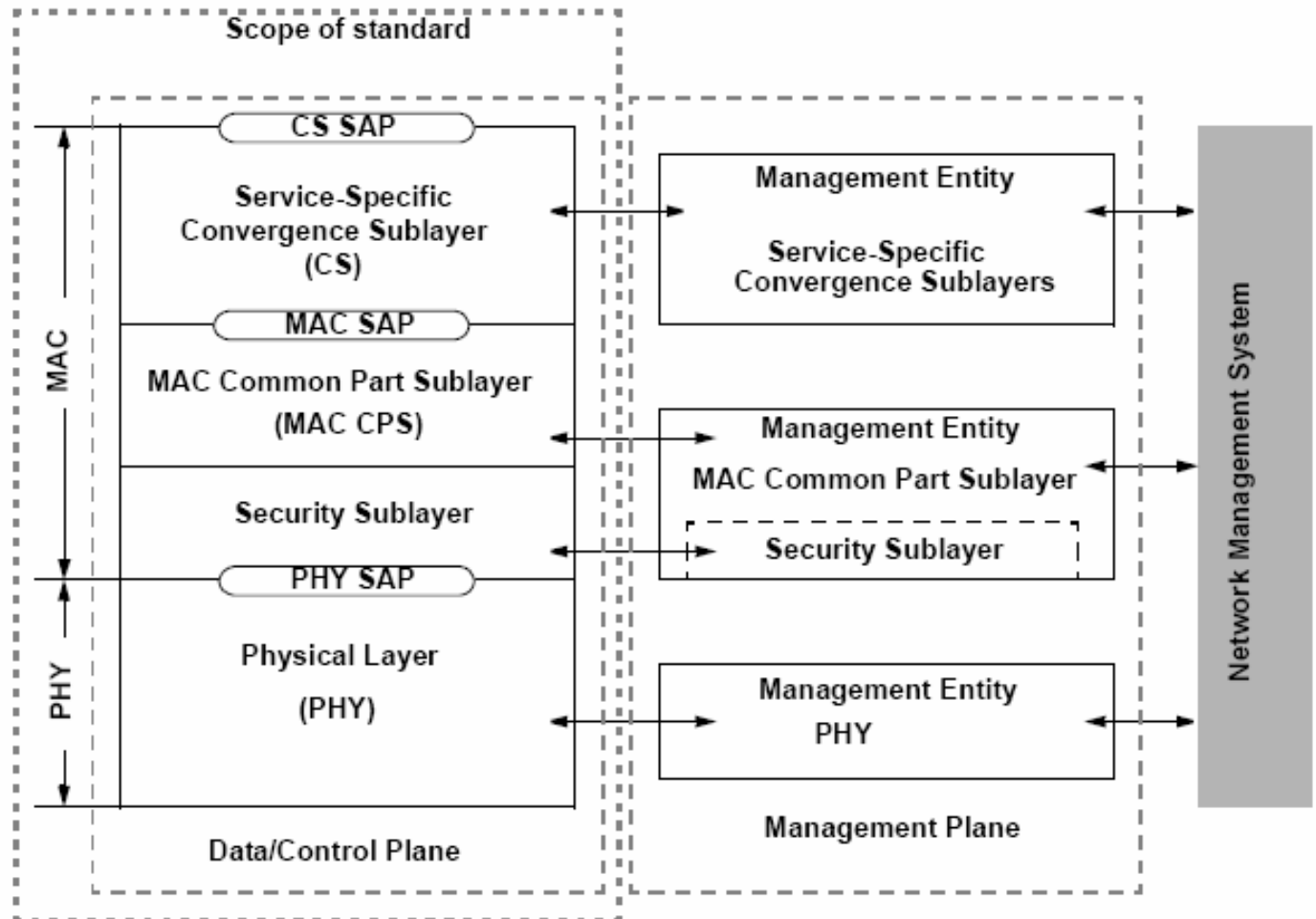


Figure 1—IEEE Std 802.16 protocol layering, showing SAPs

Problems with Current 802.16 Packet CS

- 802.16 needs to “know” the format and configuration of upper layer protocol stacks for classification to operate correctly
 - When new upper protocols are defined, or configured in different ways (address re-mapping, tunneling, header-compressed), 802.16 standard needs to be modified

Problems (continued)

- 802.16 neglected the MAC SAP in favor of CS
 - A proprietary 802.16 application that does not use an 802.16 CS cannot claim to be “compliant”
 - Example: video-streaming without Ethernet or IP
 - Excludes potentially many upper layer protocol stack configurations that “deserve” to be 802.16-compliant
 - Note: “No-CS” was removed from the standard

Problems (continued)

- One upper protocol type per connection
 - A CID is a valuable resource in some devices and subsystems (e.g., chips)
 - Multi-protocol over one CID should be (optionally) allowed
 - Example: IPv4 and IPv4-ROHC on same CID

Problems (continued)

- Poor extendibility
 - Hard process to add more CS types
- Repeated functions of upper layer protocols (ULPs)
 - ULP-address-based classification rules
 - Address assignment (especially for mobility)
 - Tunneled packets with multiple nested addresses
- Limited header compression schemes
 - Many varieties are possible, but 802.16 can't help define them all

GPCS

- *Parameterized* classification instead of *header-parsing* classification
- Locally-assigned SAP parameters
(not transmitted over the air)
 - LOGICAL_PORT_ID
 - COS_ID
- Fully specified SAP parameters exchanged between end points
 - MULTIPROTOCOL_ENABLE
 - Optionally activated in DSX messages
 - PROTOCOL_TYPE
 - Prepended to each SDU if MULTIPROTOCOL_ENABLE active
 - Sent in DSX messages if MULTIPROTOCOL_ENABLE not active

PROTOCOL_TYPE

- A number to uniquely identify all possible upper layer protocols
- Each PROTOCOL_TYPE number might need a specification to define protocol semantics (e.g., IP-over-GPCS)
- 802.16 receiver can de-multiplex to the proper protocol stack
- Proposal: Use IANA method to assign numbers
- Allocate a new IANA registry for GPCS protocol numbers
 - 8 bit number

LOGICAL_PORT_ID

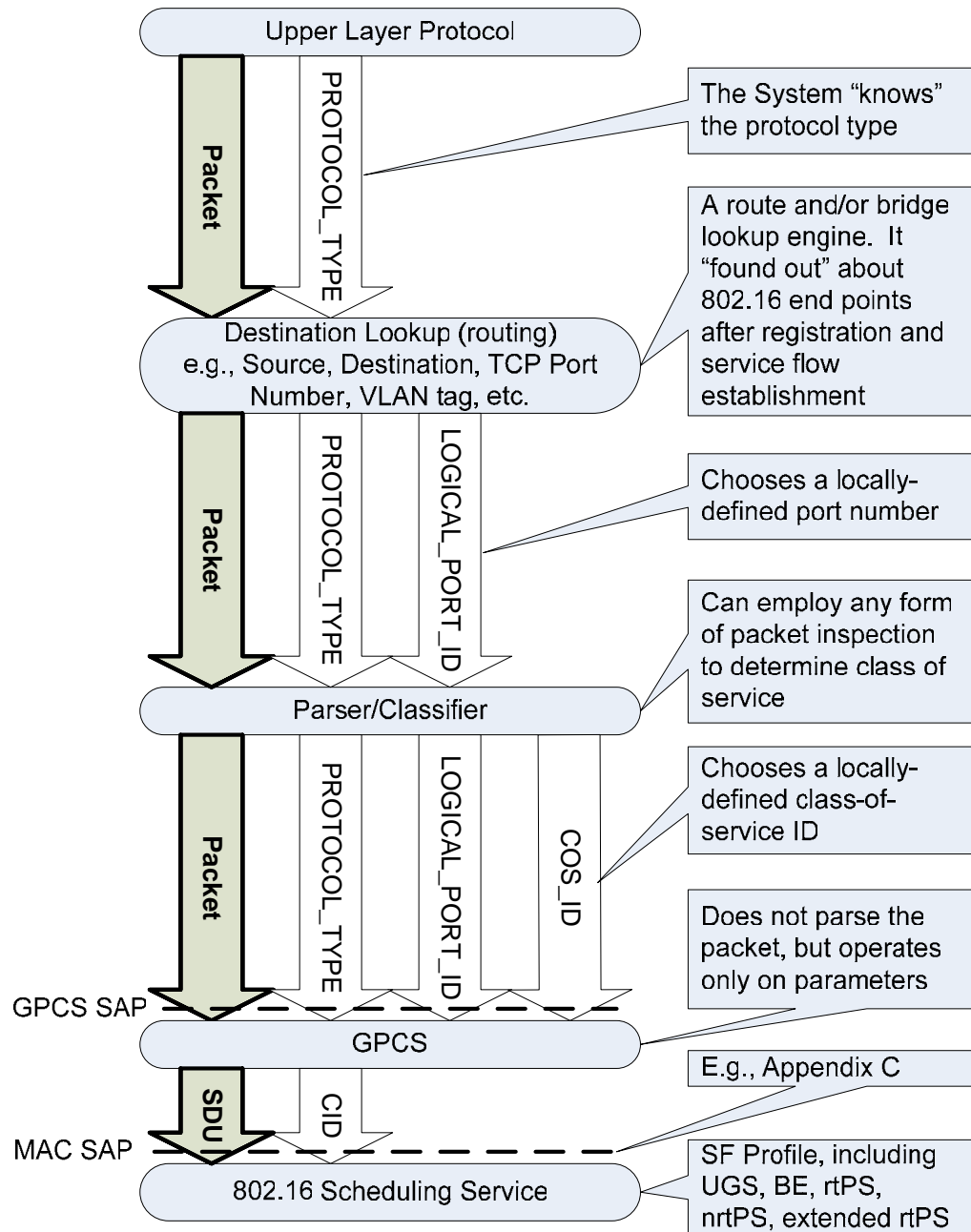
- A locally-assigned number
- Like a port number in a bridge device
- The output of routing and/or bridging path lookup
- Identifies a network element
- Scope: identifies a group of COS_IDs on a path to a network element
- For BS, could be a logical path to an MS or SS
- For SS, could be a BS selector
- Could be used to associate a VLAN ID with a group of CIDs
- Could be “null”

COS_ID

- A locally-assigned number
- Scope: the class of service within a logical port
- Like an 802.16 scheduling service type
- The output of a packet-parsing classification engine (could be an off-the-shelf component)
- The number of COS_IDs in a system could be much larger than the number of CIDs

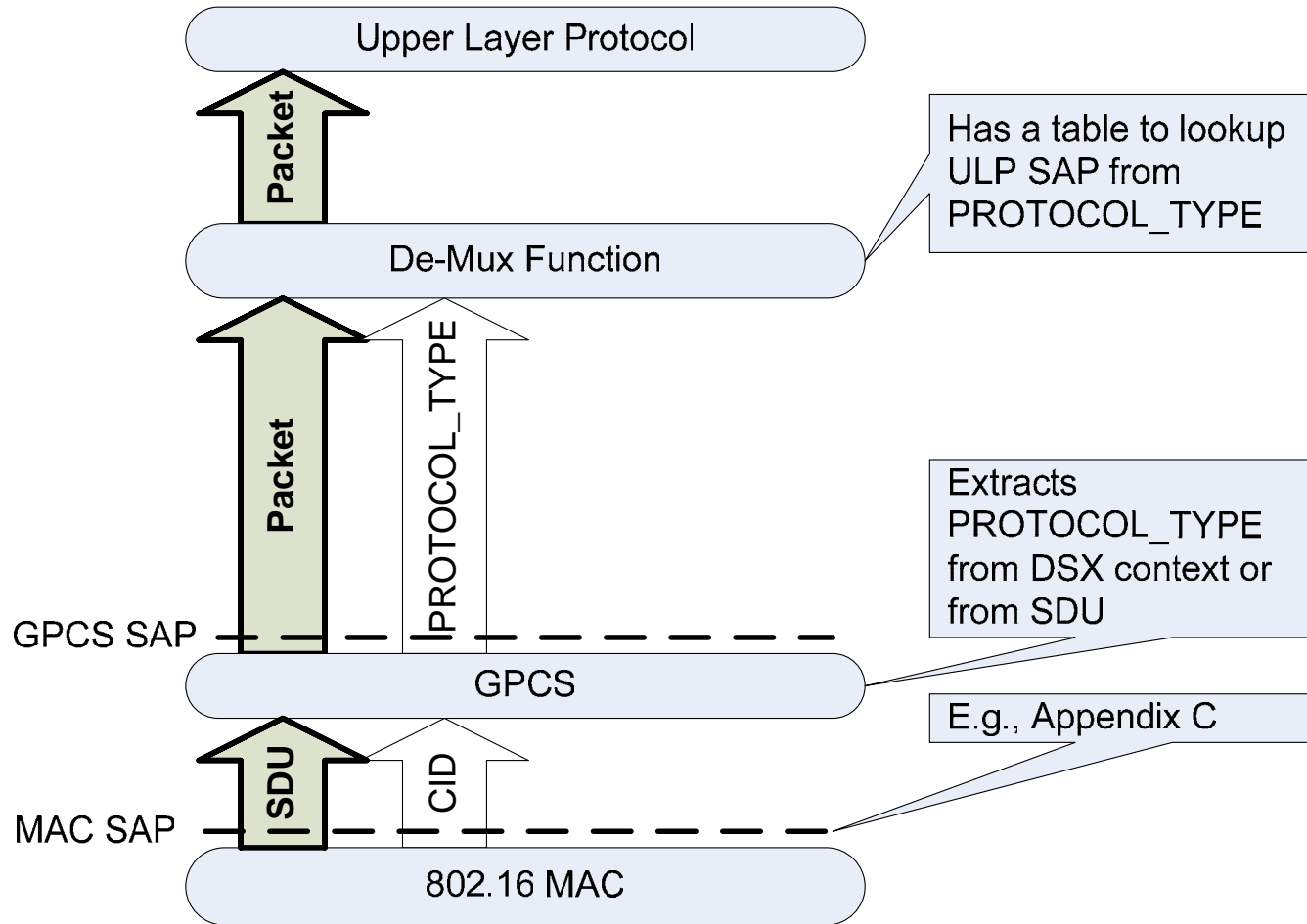
GPCS SAP Parameter Model

Same work
as Service-
Specific CS

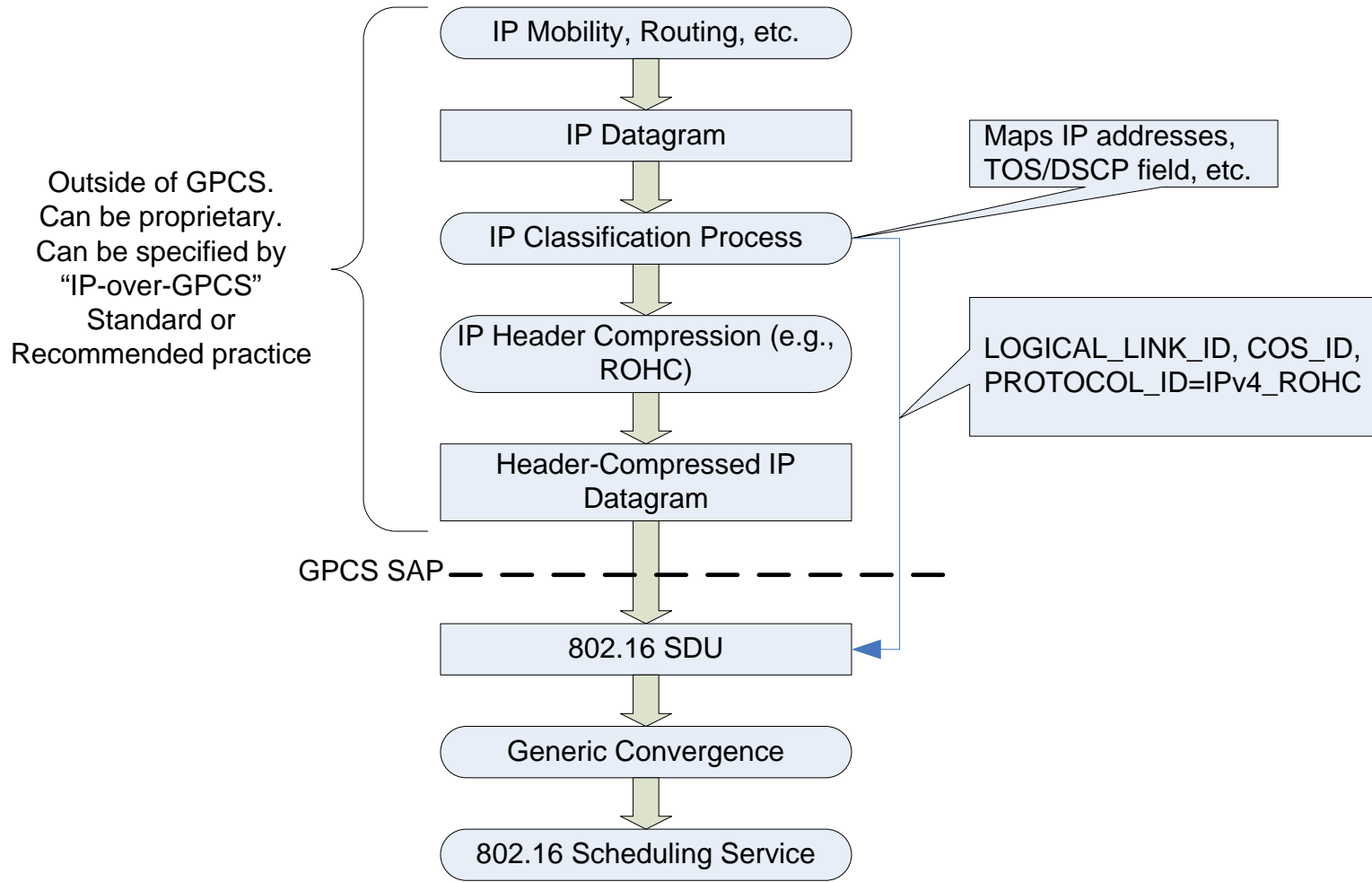


PROTOCOL_TYPE

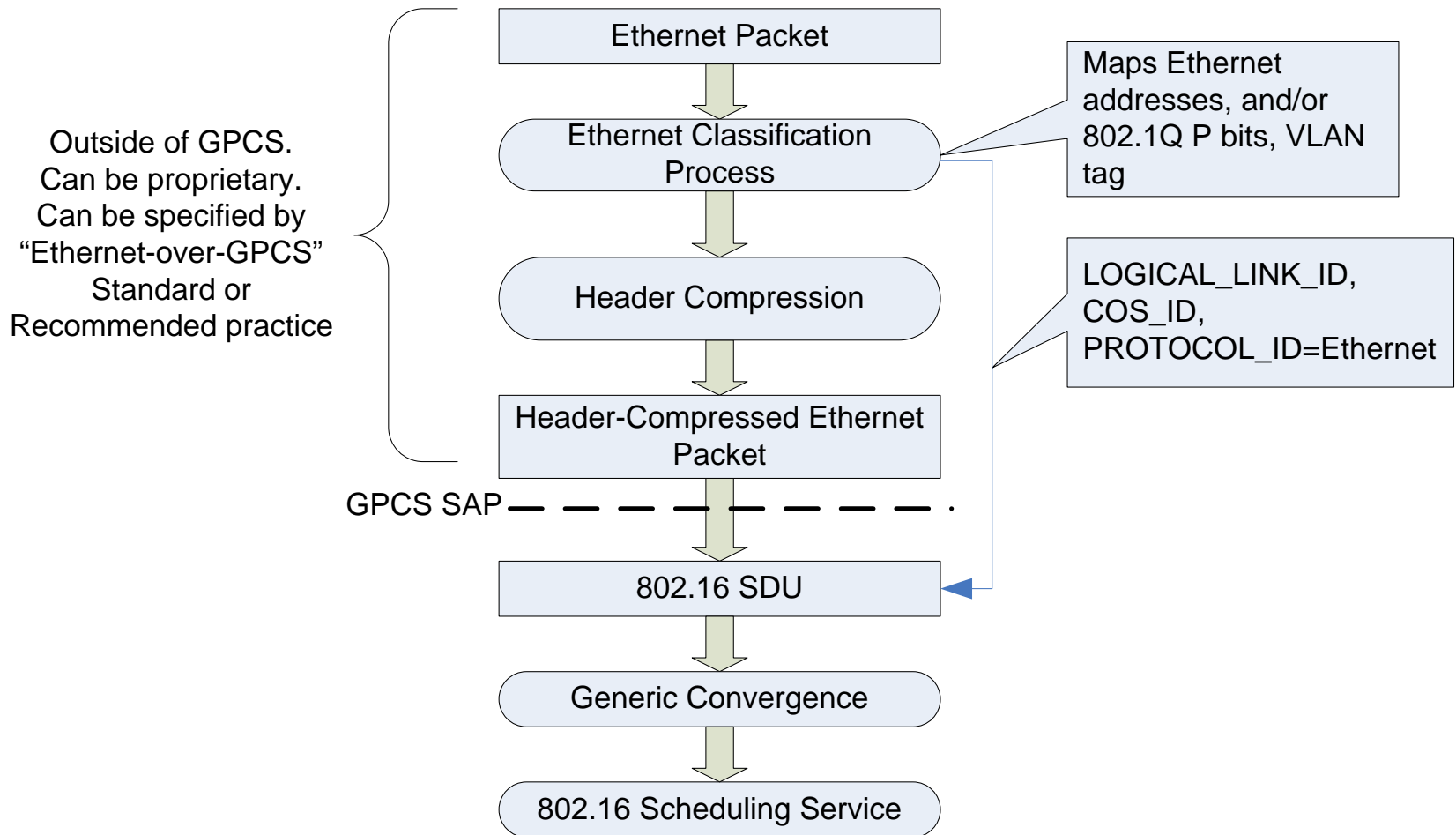
Usage by Receiver



IP-ROHC Example

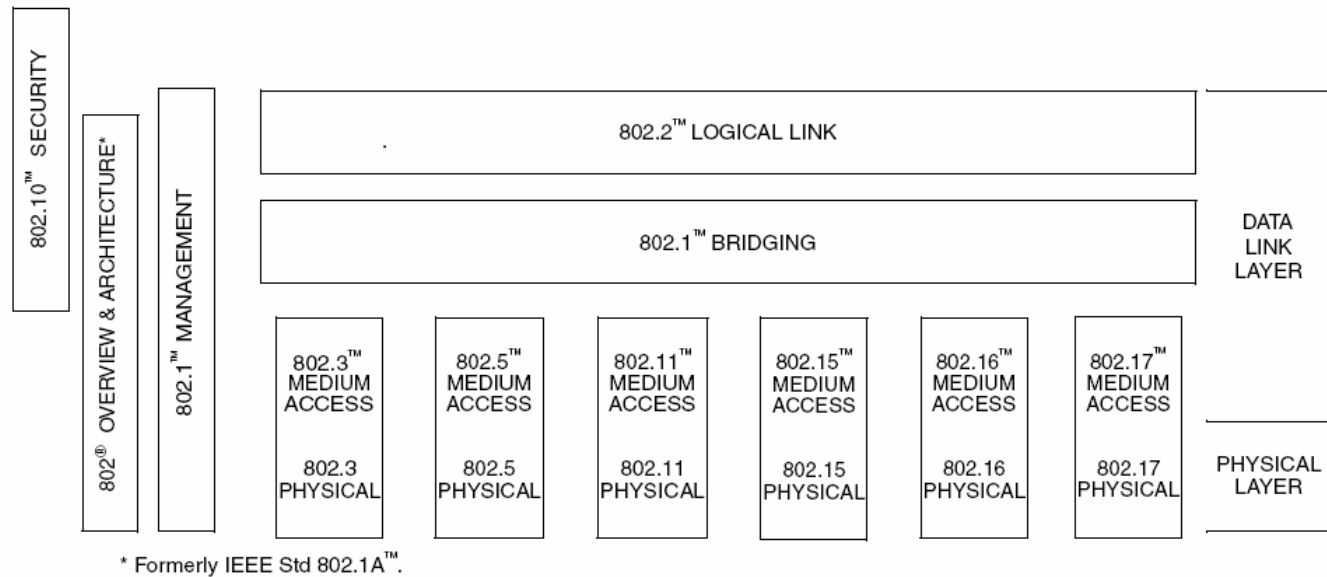


Ethernet Example



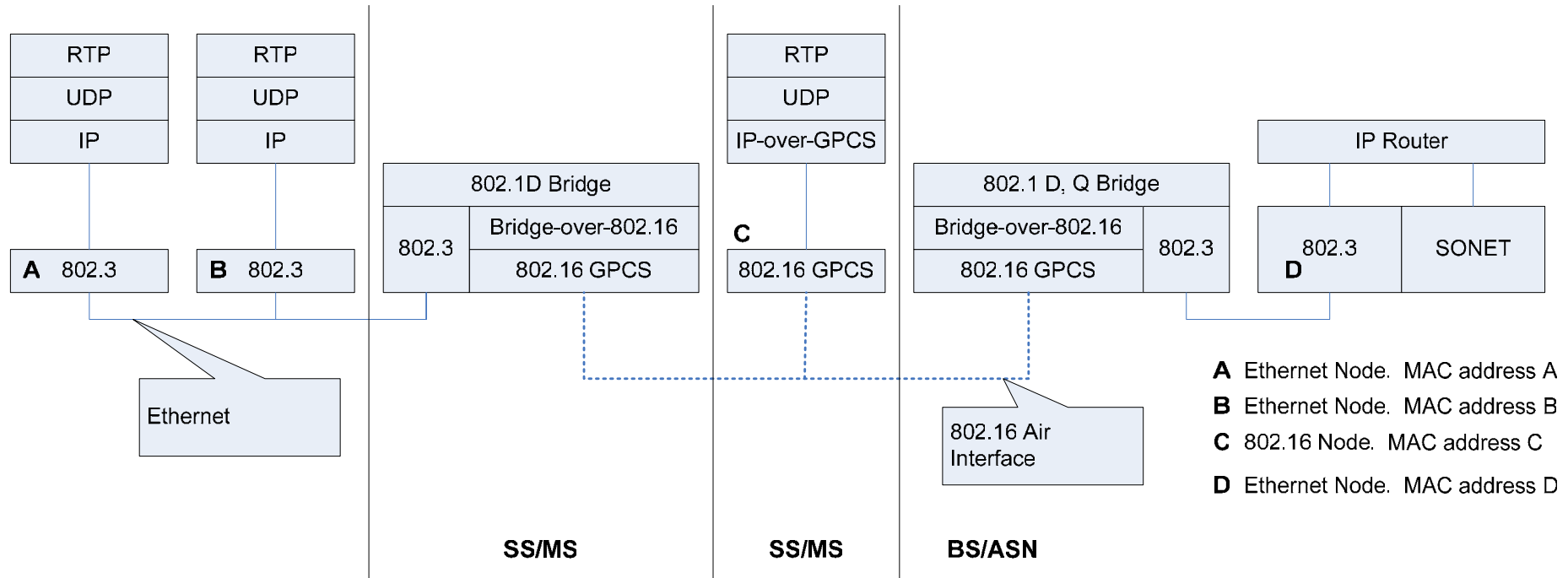
Bridging

- GPCS does not solve bridging issues, but simplifies layering



- Need to define
 - service flow establishment for bridge protocols
 - service flow discovery for data path connections
 - bridge port and VLAN mapping to LOGICAL_PORT
 - 802.16 multicast usage

Bridged LAN Example



- **LOGICAL_PORT_ID**

- Bridge function can portion LOGICAL_PORT_IDS for LAN end-points A,B,C
- Bridge-over-802.16 can be defined later

Summary of Changes to Standard

- Add GPCS to list of Packet CS's
- Define LOGICAL_PORT_ID and COS_ID as locally-assigned values
- Define GPCS to use MAC SAP: maps SAP parameters to CID
- Define MULTIPROTOCOL_ENABLE and PROTOCOL_TYPE for DSx
- Define use of PROTOCOL_TYPE as SDU prepend

Questions

- Why not use “No-CS” instead?
 - No-CS removed in corrigenda
 - MAC-SAP is not normative
 - GPCS provides an upper protocol binding to identify the header in an SDU payload
 - GPCS provides optional multi-protocol over one connection
 - GPCS provides an abstraction of .16 attributes (CID, SFID, etc.)