

2005-02-22

IEEE 802.16g-04/03r1, February 2005

This a NetMan Task Group P802.16g Baseline Document.
This is not an IEEE Draft Standard.

**Draft Amendment to IEEE Standard for
Local and metropolitan area networks**

**Part 16: Air Interface for Fixed and Mobile
Broadband Wireless Access Systems**

**Amendment to IEEE Standard for Local and
Metropolitan Area Networks - Management Plane
Procedures and Services**

Sponsor

**LAN MAN Standards Committee
of the
IEEE Computer Society**

and the

IEEE Microwave Theory and Techniques Society

Abstract: This document defines Management Procedures as enhancements to the IEEE 802.16 air interface standard for fixed and mobile broadband wireless systems. It specifies the management functions, interfaces and protocol procedures.

Keywords: fixed broadband wireless access network, mobile broadband wireless access network, metropolitan area network, microwave, millimeter wave, management, WirelessMAN™ standards

This page is intentionally left blank

Contents

1		
2		
3		
4	1. Introduction.....	1
5	2. References.....	2
6	3. Definitions	2
7	4. Abbreviations and acronyms	2
8	14. Management Interfaces and Procedures	2
9	14.1 Overview.....	2
10	14.2 Requirements	3
11	14.2.1 General Requirements.....	3
12	14.2.2 Requirements for traffic policies	3
13	14.2.3 Requirements for traffic filters	3
14	14.3 Information Model Aspects	3
15	14.3.1 Information Service Models	3
16	14.3.1.1 Information entities imported and local labels	4
17	14.3.1.2 Class diagram.....	4
18	14.3.1.2.1 Attributes and relationships	4
19	14.3.1.2.2 Inheritance	5
20	14.3.1.3 Information object classes definition.....	6
21	14.3.1.3.1 IOC BsFunction	6
22	14.3.1.3.2 IOC WmanSsFunction.....	7
23	14.3.1.3.3 IOC xxx.....	7
24	14.3.1.3.4 IOC yyy.....	7
25	14.3.1.4 Information relationships definition	7
26	14.3.1.5 Notifications.....	7
27	14.3.1.6 Information attributes definition.....	7
28	14.3.1.6.1 Definition and legal values	8
29	14.4 Architectural Aspects.....	9
30	14.4.1 Network Reference Model.....	9
31	14.4.1.1 Network Control and Management System (NCMS).....	9
32	14.4.1.1.1 SS/MSS and BS Interface	10
33	14.4.1.1.2 BS and NCMS Interface	10
34	14.4.2 Management Interfaces.....	11
35	14.4.3 Information Service Models	11
36	14.5 Management Functions.....	11
37	14.5.1 Fault Management	11
38	14.5.1.1 Events/Logs	11
39	14.5.1.1.1 Persistence Requirements	11
40	14.5.1.2 Notification/Triggers	11
41	14.5.2 Configuration Management	11
42	14.5.2.1 Capability Management	11
43	14.5.2.2 Basic RF Configuration	11
44	14.5.2.3 Basic MAC Configuration	11
45	14.5.2.4 BS Time Configuration.....	11
46	14.5.3 Accounting Management.....	11
47	14.5.4 Performance Management	12
48	14.5.5 Security Management	12
49	14.5.5.1 Authentication, Authorization and Accounting (AAA) Guidelines	12
50	14.5.5.2 Security Context and Key Management	12
51	14.5.5.3 Security for Handoffs.....	12
52	14.5.5.4 Protecting Management Messages.....	12
53	14.5.6 Service Flow Management	12
54	14.5.6.1 BS Service Provisioning	12
55	14.5.6.2 SS/MSS Provisioning	12
56		
57		
58		
59		
60		
61		
62		
63		
64		
65		

1	14.5.6.3	SS/MSS Connection Management.....	12
2	14.5.6.4	QoS Management	12
3	14.5.6.5	Managing Connection Resources	12
4	14.5.6.6	Managing Multicast Broadcast Services.....	13
5			
6	14.5.7	Subscriber Mode Management	13
7	14.5.7.1	Managing Device States	13
8			
9	14.5.8	Roaming Management	13
10	14.5.9	Mobility and Handover Management	13
11	14.5.9.1	Mobility Parameters.....	13
12	14.5.9.1.1	Handover Context for Connections	13
13	14.5.9.1.2	Neighbor List Management	13
14	14.5.9.1.3	Connection Management during handover.....	13
15	14.5.9.2	Paging Management	13
16	14.5.9.2.1	Paging Procedure	13
17			
18	14.5.9.3	Location Management	13
19	14.5.9.3.1	Location Update Procedure	13
20	14.5.9.4	MSS Handover Management.....	13
21	14.5.9.5	Inter BS Handover Management	13
22	14.5.9.6	Macro Diversity Management	13
23	14.5.9.7	Handover Control Protocol Procedures	13
24			
25	14.5.9.7.1	Hard Handoff Procedures	14
26	14.5.9.7.2	Fast Base Station Switching Procedures.....	14
27	14.5.9.7.3	Soft Handoff Procedures.....	14
28			
29	14.5.10	Backbone Messages.....	14
30	14.5.11	Interface SAP for Upper Layer Protocols.....	14
31	14.5.12	Radio Resource Management	14
32	14.5.12.1	Radio Measurement and Reporting	14
33	14.5.12.2	Power Control Management	14
34			
35	14.5.13	MAC Management Enhancements	14
36	14.5.13.1	Service Identity Broadcast	14
37	14.5.13.1.1	Service Identity Information (SII) message.....	14
38	14.5.13.1.2	Service Information Identity (SII) TLV.....	15
39	14.5.13.1.3	Service Identity TLV	15
40			
41			
42	Annex F: IRP Solution Sets for Management (Informative).....		16
43			
44	Annex G: Network Topologies (Informative)		16
45	G.1 Full distributed network.....		16
46	G.2 Centralized network.....		17
47			
48			
49			
50			
51			
52			
53			
54			
55			
56			
57			
58			
59			
60			
61			
62			
63			
64			
65			

List of Tables

1
2
3
4
5
6
7
8
9
10
11
12
13
14
15
16
17
18
19
20
21
22
23
24
25
26
27
28
29
30
31
32
33
34
35
36
37
38
39
40
41
42
43
44
45
46
47
48
49
50
51
52
53
54
55
56
57
58
59
60
61
62
63
64
65

Table 1—Information entities imported and local labels	4
Table 2—Attributes	7
Table 4—Definition and legal values	8
Table 3—Attributes	8
Table 14—MAC Management Messages.....	14
Table 16—Service Identity Information (SII) Compound TLV.....	15
Table 17—Using 24-bit Identity.....	15
Table 18—Using NAI.....	15
Table 15—Service Identity Information (SII) message format	15

1
2
3
4
5
6
7
8
9
10
11
12
13
14
15
16
17
18
19
20
21
22
23
24
25
26
27
28
29
30
31
32
33
34
35
36
37
38
39
40
41
42
43
44
45
46
47
48
49
50
51
52
53
54
55
56
57
58
59
60
61
62
63
64
65

List of Figures

1
2
3
4
5
6
7
8
9
10
11
12
13
14
15
16
17
18
19
20
21
22
23
24
25
26
27
28
29
30
31
32
33
34
35
36
37
38
39
40
41
42
43
44
45
46
47
48
49
50
51
52
53
54
55
56
57
58
59
60
61
62
63
64
65

Figure 1—Containment and Naming Diagram.....	5
Figure 2—Inheritance Diagram	6
Figure 3—Logical Network Reference Model (Informational).....	9
Figure 4—Illustration of the Network Control and Management System (Informational).....	10
Figure 5—Distributed network	16

1
2
3
4
5
6
7
8
9
10
11
12
13
14
15
16
17
18
19
20
21
22
23
24
25
26
27
28
29
30
31
32
33
34
35
36
37
38
39
40
41
42
43
44
45
46
47
48
49
50
51
52
53
54
55
56
57
58
59
60
61
62
63
64
65

1
2
3
4
5
6
7
8
9
10
11 **Baseline document for Draft Amendment to IEEE Standard for**
12 **Local and metropolitan area networks**

13
14 **Part 16: Air Interface for Fixed and**
15 **Mobile Broadband Wireless Access**
16 **Systems —**

17
18
19
20
21
22
23
24 **Management Plane Procedures and Services**
25

26
27
28
29
30
31
32
33
34 NOTE-The editing instructions contained in this amendment define how to merge the material contained
35 herein into the existing base standard IEEE Std 802.16-2004.
36

37 The editing instructions are shown *bold italic*. Four editing instructions are used: *change*, *delete*, *insert*, and
38 *replace*. *Change* is used to make small corrections in existing text or tables. The editing instruction specifies
39 the location of the change and describes what is being changed by using strike through (to remove old mate-
40 rial) and underscore (to add new material). *Delete* removes existing material. *Insert* adds new material with-
41 out disturbing the existing material. Insertions may require renumbering. If so, renumbering instructions are
42 given in the editing instruction. *Replace* is used to make large changes in existing text, subclauses, tables, or
43 figures by removing existing material and replacing it with new material. Editorial notes will not be carried
44 over into future editions because the changes will be incorporated into the base standard.
45
46
47
48

49 **1. Introduction**
50

51
52 **Scope:** This document provides enhancements to the MAC and PHY management entities of IEEE Standard
53 802.16-2004, as amended by P802.16e, to create standardized procedures and interfaces for the management
54 of conformant 802.16 devices.
55

56
57 **Purpose:** The purpose of this project is to provide conformant 802.16 equipment with procedures and ser-
58 vices to enable interoperable and efficient management of network resources, mobility, and spectrum, and to
59 standardize management plane behavior in 802.16 fixed and mobile devices.
60
61
62
63
64
65

2. References

This standard shall be used in conjunction with the following publications. When the following specifications are superseded by an approved revision, the revision shall apply.

IEEE 802.16-2001, "IEEE Standard for Local and Metropolitan area networks - Part 16: Air Interface for Fixed Wireless Access Systems".

IEEE 802.16a-2003, "IEEE Standard for Local and Metropolitan area networks - Part 16: Air Interface for Fixed Wireless Access Systems - Amendment 2: Medium Access Control Modifications and Additional-Physical Layer Specifications for 2-11 GHz.

IEEE 802.16-2004, "IEEE Standard for Local and Metropolitan area networks - Part 16: Air Interface for Fixed Broadband Wireless Access Systems", October, 2004

IEEE P802.16e-D5, "Draft IEEE Standard for Local and Metropolitan area networks - Part 16: Air Interface for Fixed and Mobile Broadband Wireless Access Systems", October, 2004

3. Definitions

[Insert the following definitions as specified below]

U Interface - The management and control interface that exists between the SS and the BS over the air interface.

4. Abbreviations and acronyms

[Insert the following abbreviations and acronyms into the the text as specified below]

IRP - Integration Reference Point

NRM - Network Reference Model

MIB - Management Information Base

[Insert a new chapter 14 and then insert the text specified below]

14. Management Interfaces and Procedures

14.1 Overview

The 802.16 devices within the purview of this specification can include 802.16-2004 subscriber stations (SS) or 802.16e mobile subscriber stations (MSS) or base stations (BS). As the 802.16 devices may be part of a larger network and therefore would require interfacing with entities for management and control purposes, this document assumes a Network Control and Management System (NCMS) abstraction that inter-

1 faces with the base stations. The NCMS abstraction allows the PHY/MAC/CS layers specified in 802.16 to
2 be independent of the network architecture, the transport network, and the protocols used at the backend and
3 therefore allows greater flexibility on the network side. Any necessary inter-BS coordination is handled
4 through the NCMS. This specification will only describe procedures for management and control interac-
5 tions between the MAC/PHY/CS layers of the 802.16 devices and the NCMS. The details of the various
6 entities that form the Network Control and Management System are outside the purview of this specifica-
7 tion. An abstracted network reference model is presented to clearly depict the interfaces that are assumed to
8 be in scope of the specification.
9

10 11 12 **14.2 Requirements**

13
14
15 <Section Notes: This section describes the functional requirements that need to be addressed by the 802.16g
16 specification. However this section is purely informational and meant to guide the development of this docu-
17 ment.>
18

19 **14.2.1 General Requirements**

20
21
22 There are several usage scenarios based on 802.16's specifications, such as Fixed Access, Nomadicity, Port-
23 ability with Simple Mobility Support, Full Mobility Support. If a procedure, message, IE or IRP does not
24 apply to all usage scenarios, the scenarios it applies to will be clearly specified.
25

26 **14.2.2 Requirements for traffic policies**

27 **14.2.3 Requirements for traffic filters**

28 29 30 **14.3 Information Model Aspects**

31
32
33 For the purpose of Management Interface development an Interface Methodology known as Integration Ref-
34 erence Point (IRP) was developed to promote the wider adoption of standardized Management interfaces in
35 telecommunication networks. The IRP methodology employs Protocol & Technology Neutral modeling
36 methods as well as protocol specific solution sets to help achieve its goals. The Integration Reference Point
37 is a methodology to aid a modular approach to the development of standards interfaces.
38
39
40

41
42 There are three cornerstones to the IRP approach:
43

44 1. Top-down, process-driven modeling approach

45
46
47 The process begins with a requirements phase, the aim at this step is to provide conceptual and use case def-
48 initions for a specific interface aspect as well as defining subsequent requirements for this IRP.
49

50 2. Technology-independent modeling

51
52
53 The second phase of the process is the development of a protocol independent model of the interface. This
54 protocol independent model is specified in the IRP Information Service.
55

56 3. Standards-based technology-dependent modeling

57
58
59 The third phase of the process is to create one or more interface technology and protocol dependent models
60 from the Information Service model. This is specified in the IRP Solution Set(s).
61

62 **14.3.1 Information Service Models**

63
64
65 Information Service Models refer to both Interface IRPs and NRM IRPs.

This section is providing the IEEE 802.16 protocol neutral (IS) resource model (NRM/MIB) definitions.

14.3.1.1 Information entities imported and local labels

Table 1—Information entities imported and local labels

Label reference	Local label
information object class, ManagedElement	ManagedElement
information object class, ManagedFunction	ManagedFunction
information object class, SubNetwork	SubNetwork
information object class, Top	Top

14.3.1.2 Class diagram

14.3.1.2.1 Attributes and relationships

Figure 1. establishes the naming and containment for the protocol neutral network management models of the 802.16 standard. The inheritance diagram show in Figure 2. is based on 802.16e and 802.16-2004. This diagram establishes the context of the IOC and shows ME's as inventory items and MF's as the functions that perform functions in the 802.16 network.

1
2
3
4
5
6
7
8
9
10
11
12
13
14
15
16
17
18
19
20
21
22
23
24
25
26
27
28
29
30
31
32
33
34
35
36
37
38
39
40
41
42
43
44
45
46
47
48
49
50
51
52
53
54
55
56
57
58
59
60
61
62
63
64
65

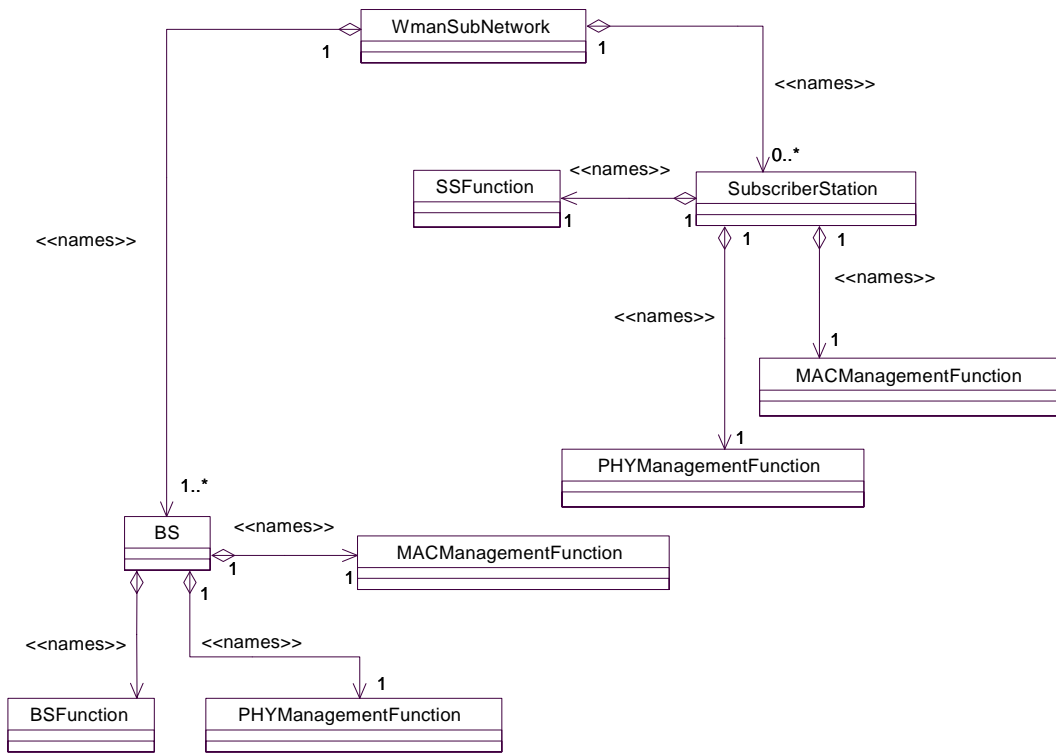


Figure 1—Containment and Naming Diagram

14.3.1.2.2 Inheritance

This clause depicts the inheritance relationships that exist between information object classes.

1
2
3
4
5
6
7
8
9
10
11
12
13
14
15
16
17
18
19
20
21
22
23
24
25
26
27
28
29
30
31
32
33
34
35
36
37
38
39
40
41
42
43
44
45
46
47
48
49
50
51
52
53
54
55
56
57
58
59
60
61
62
63
64
65

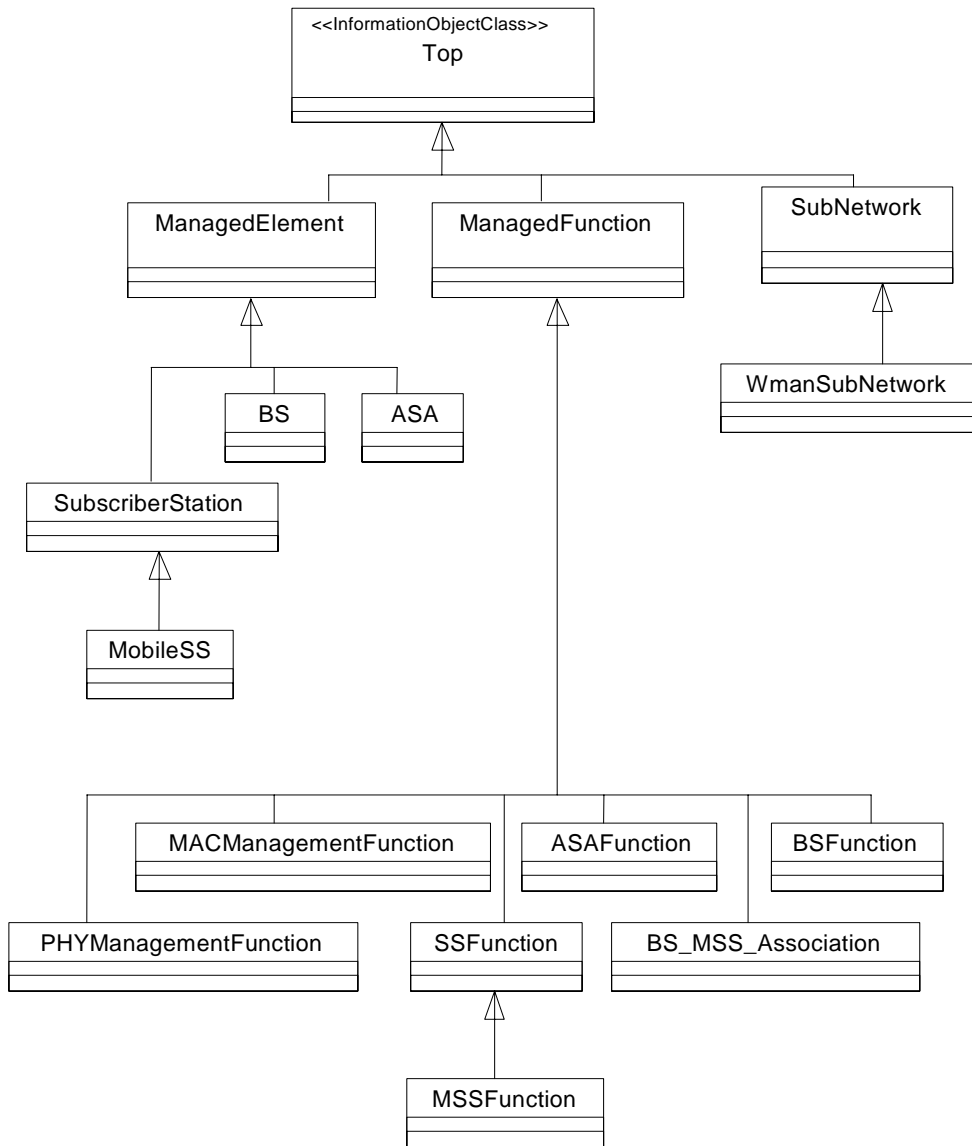


Figure 2—Inheritance Diagram

14.3.1.3 Information object classes definition

14.3.1.3.1 IOC BsFunction

14.3.1.3.1.1 Definition

This IOC represents a WMAN base station. For more information, see [zz]. It is derived from Managed-Function.

<Section Note: This table is just a template for reference.>

14.3.1.3.1.2 Attributes

Table 2—Attributes

Attribute name	Defined in	Visibility	Support Qualifier	Read Qualifier	Write Qualifier
BsFunctionId	--	+	M	M	--
objectClass	Top	+_inherited	M ^{inherited}	M ^{inherited}	--_inherited
objectInstance	Top	+_inherited	M ^{inherited}	M ^{inherited}	--_inherited
userLabel	ManagedFunction	+_inherited	M ^{inherited}	M ^{inherited}	M ^{inherited}
aaa	--	+	O	M	--
bbb	--	+	O	M	--
yyy	--	+	O	M	--
zzz	--	+	O	M	--

14.3.1.3.2 IOC WmanSsFunction

14.3.1.3.2.1 Definition

This IOC represents a WMAN subscriber station. For more information, see [tbd]. It is derived from ManagedFunction.

14.3.1.3.2.2 Attributes

14.3.1.3.3 IOC xxx

14.3.1.3.4 IOC yyy

14.3.1.4 Information relationships definition

14.3.1.5 Notifications

14.3.1.6 Information attributes definition

Table 3—Attributes

Attribute name	Defined in	Visibility	Support Qualifier	Read Qualifier	Write Qualifier
SsFunctionId	--	+	M	M	--
objectClass	Top	+_inherited	M ^{inherited}	M ^{inherited}	--_inherited
objectInstance	Top	+_inherited	M ^{inherited}	M ^{inherited}	--_inherited
userLabel	ManagedFunction	+_inherited	M ^{inherited}	M ^{inherited}	M ^{inherited}
ccc	--	+	O	M	--
ddd	--	+	O	M	--
www	--	+	O	M	--
xxx	--	+	O	M	--

14.3.1.6.1 Definition and legal values

Table 4—Definition and legal values

Attribute name	Definition	Legal Values
BsFunctionId	It contains 'name+value' that is the RDN, when naming an instance, of this object class containing this attribute. This RDN uniquely identifies the object instance within the scope of its containing (parent) object instance.	--
SsFunctionId		--
ZzzId		--
aaa	tbd	tbd
bbb	tbd	tbd
ccc	tbd	tbd
ddd	tbd	tbd
objectClass	As defined in [zz]: An attribute which captures the name of the class from which the object instance is an occurrence of.	--

1
2
3
4
5
6
7
8
9
10
11
12
13
14
15
16
17
18
19
20
21
22
23
24
25
26
27
28
29
30
31
32
33
34
35
36
37
38
39
40
41
42
43
44
45
46
47
48
49
50
51
52
53
54
55
56
57
58
59
60
61
62
63
64
65

14.4 Architectural Aspects

<Section Notes: This section describes the functional aspects of 802.16g and how the different management procedures are specified. >

14.4.1 Network Reference Model

The Figure 1 describes a network reference model along with the interfaces that are within the scope of this specification. Multiple SS or MSS may be attached to a BS. The SS communicate to the BS over the U interface using a Primary Management Connection or a Secondary Management Connection. MSS typically only utilize the Primary Management Connection over the U interface for management and related control functions.

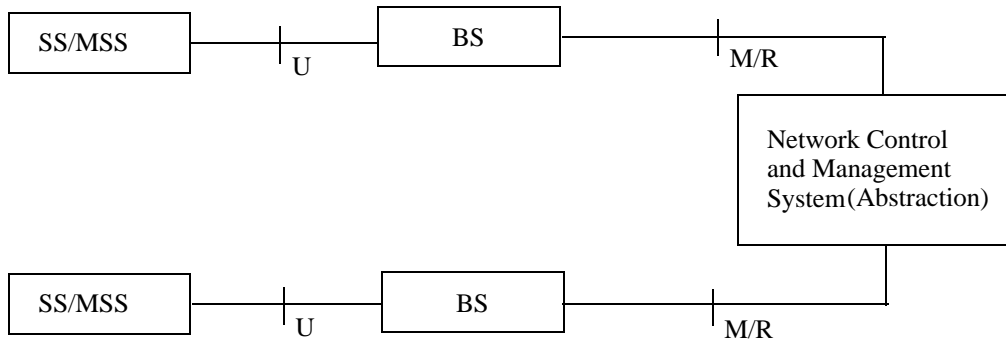
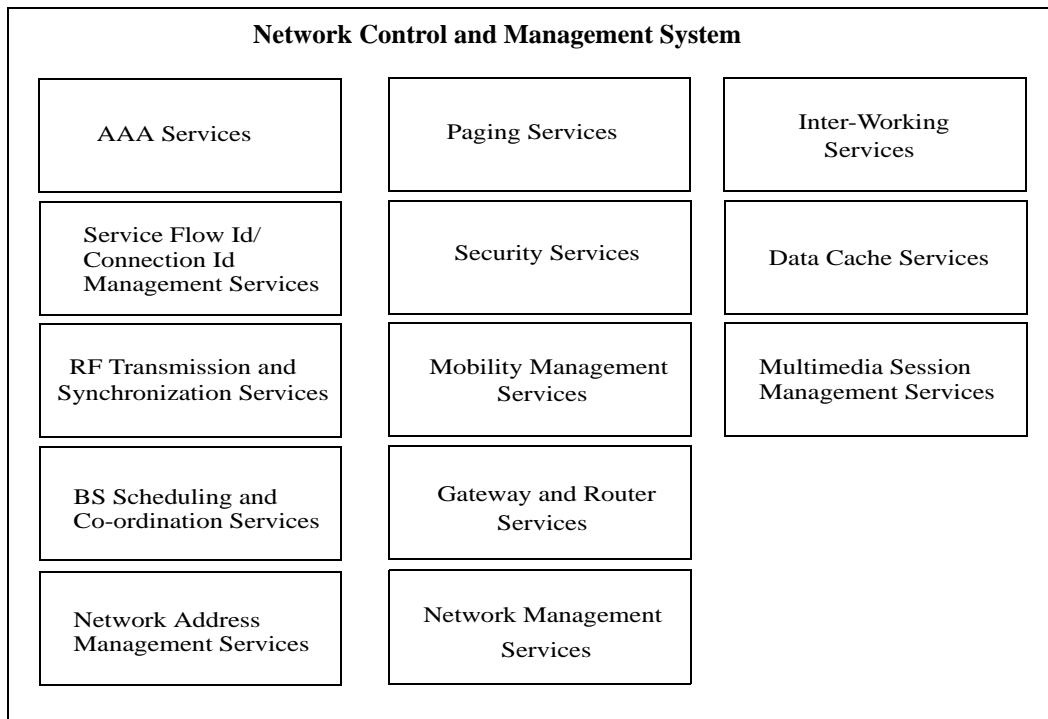


Figure 3—Logical Network Reference Model (Informational)

14.4.1.1 Network Control and Management System (NCMS)

This abstraction is detailed in Figure 2 to show the different functional entities that make up such a Network Control and Management System. These entities may be centrally located or distributed across the network. The exact functionality of these entities and their services is outside the scope of this specification but shown here for illustration purposes and to better enable the description of the management and control procedures.



30 **Figure 4—Illustration of the Network Control and Management System (Informational)**

31
32
33 **14.4.1.1.1 SS/MSS and BS Interface**

34
35 This U interface may be implemented using either a primary management connection or a secondary management connection.
36
37

38
39 **14.4.1.1.2 BS and NCMS Interface**

40
41 This interface is logically decomposed in to two parts: the M interface used for Management procedures alone and the R interface used for Control plane procedures that to support handovers, security context management, radio resource management, and low power operations (such as Idle mode and paging functions).
42
43
44
45 Protocol procedures on both M and R interfaces are described in a transport independent manner.
46

47 The M interface may include messages for procedures related to:

- 48
49
- 50 • -System configuration
 - 51 • -Monitoring Statistics
 - 52 • -Notifications/Triggers
- 53
54

55 The R interface may include the messaging required for procedures related to:

- 56
57
- 58 • -Handovers (e.g. notification of HO request from MSS, etc.)
 - 59 • -Idle mode mobility management (e.g. Mobile entering idle mode)
 - 60 • -Subscriber and session management (e.g. Mobile requesting session setup)
 - 61 • -Radio resource management, etc.
- 62
63
64
65

1 The interactions over the R interface can be bi-directional and not necessarily master-slave with the NCMS
2 acting as master. The interaction may be of a request-response nature, in which a request from one side trig-
3 gers a procedure on the other side in order to generate the response.
4

5 **14.4.2 Management Interfaces**

6
7
8
9

10 **14.4.3 Information Service Models**

11
12
13
14

15 **14.5 Management Functions**

16
17
18
19

20 **14.5.1 Fault Management**

21
22

23 **14.5.1.1 Events/Logs**

24

25 **14.5.1.1.1 Persistence Requirements**

26
27

28 **14.5.1.2 Notification/Triggers**

29

30 <Section Note: Notification for events and trigger functions associated with some events are described>
31

32 **14.5.2 Configuration Management**

33
34

35 **14.5.2.1 Capability Management**

36

37 <Section Note: Subscriber Basic Capabilities negotiation recommendations>
38
39

40 **14.5.2.2 Basic RF Configuration**

41

42 <Section Note: Procedures for setting and retrieving system information about frequency assignments for
43 sectors, channel bandwidths, FFT sizes, Tx Power, etc. are described>
44
45

46 **14.5.2.3 Basic MAC Configuration**

47

48 <Section Note: Procedures for setting and retrieving MAC parameters like SDU size limits, PDU size limits,
49 list of Service classes supported, scan list, packing, fragmentation, ARQ block sizes etc. are described>
50
51

52 **14.5.2.4 BS Time Configuration**

53

54 <Section Note: Procedures for setting and retrieving BS time information are described.>
55
56
57
58

59 **14.5.3 Accounting Management**

60
61
62
63
64
65

1 **14.5.4 Performance Management**
2
3
4

5 **14.5.5 Security Management**
6
7

8 **14.5.5.1 Authentication, Authorization and Accounting (AAA) Guidelines**
9

10 <Section Note: Recommendations for utilizing EAP, RADIUS protocols>
11
12

13 **14.5.5.2 Security Context and Key Management**
14

15 <Section Note: Recommendations for establishment and management of Security Associations, Key estab-
16 lishment and caching policies.>
17
18

19 **14.5.5.3 Security for Handoffs**
20

21 <Section Note: Recommendations for Security context re-establishment during handoffs, key binding and
22 key usage policies>
23
24

25 **14.5.5.4 Protecting Management Messages**
26

27 <Section Note: Recommendations for protecting management messages.>
28
29
30
31

32 **14.5.6 Service Flow Management**
33

34 **14.5.6.1 BS Service Provisioning**
35
36

37 <Section Note: Provisioning of the services on the BS are described. Ex: Setting and retrieval of Operator
38 IDs, BS IDs etc. and type of convergence layers supported and their configuration parameters are
39 described.>
40
41

42 **14.5.6.2 SS/MSS Provisioning**
43

44 <Section Note: Provisioning. Configuration and management for BS initiated connections and service flow
45 creations for static and dynamic QoS>
46
47

48 **14.5.6.3 SS/MSS Connection Management**
49

50 <Section Note: Recommendations for utilizing DHCP protocol>
51
52

53 **14.5.6.4 QoS Management**
54

55 <Section Note: CID and SFID Management, Managing Bandwidth Requests and Grants. QoS Mapping for
56 802.16-Service-Flows to Network-Flows >
57
58

59 **14.5.6.5 Managing Connection Resources**
60

61 <Section Note: Managing constraints on the CID and SFID related resources. Recommendations on when
62 CIDs could be recycled etc.>
63
64
65

1 **14.5.6.6 Managing Multicast Broadcast Services**

2
3 <Section Note: >

4
5
6
7
8 **14.5.7 Subscriber Mode Management**

9
10 **14.5.7.1 Managing Device States**

11
12 <Section Note: Idle Mode, Sleep Mode, Active Mode>

13
14
15
16
17 **14.5.8 Roaming Management**

18
19
20
21 **14.5.9 Mobility and Handover Management**

22
23 **14.5.9.1 Mobility Parameters**

24
25 <Section Note: Requirements for different kinds of handoff (Hard-Handoff, FBSS, SHO). Thresholds etc.>

26
27 **14.5.9.1.1 Handover Context for Connections**

28
29 **14.5.9.1.2 Neighbor List Management**

30
31 **14.5.9.1.3 Connection Management during handover**

32
33 **14.5.9.2 Paging Management**

34
35 **14.5.9.2.1 Paging Procedure**

36
37 **14.5.9.3 Location Management**

38
39 **14.5.9.3.1 Location Update Procedure**

40
41 **14.5.9.4 MSS Handover Management**

42
43 <Section Note: How an MSS handles its handover functions>

44
45 **14.5.9.5 Inter BS Handover Management**

46
47 <Section Note: How a BS handles its handover functions with neighboring BSes>

48
49 **14.5.9.6 Macro Diversity Management**

50
51 <Section Note: How a BS along with the NCMS entities handles macro diversity>

52
53 **14.5.9.7 Handover Control Protocol Procedures**

54
55 <Section Note: Handover protocol message flow diagrams and explanations>

56
57
58
59
60
61
62
63
64
65

1 **14.5.9.7.1 Hard Handoff Procedures**

2
3 **14.5.9.7.2 Fast Base Station Switching Procedures**

4
5
6 **14.5.9.7.3 Soft Handoff Procedures**

7
8
9
10
11 **14.5.10 Backbone Messages**

12
13
14
15 **14.5.11 Interface SAP for Upper Layer Protocols**

16
17
18 < Section Notes: This section provides triggers for upper layer protocols on events occurring in the 802.16
19 air interface. This section includes definitions from P802.16e/D4 Annex D4.2>

20
21
22
23 **14.5.12 Radio Resource Management**

24
25 **14.5.12.1 Radio Measurement and Reporting**

26
27
28 <Section Note: PHY Specific sections for SS/MSS and BS Radio Measurements>

29
30
31 **14.5.12.2 Power Control Management**

32
33
34 <Section Note: PHY Specific sections>

35
36
37 **14.5.13 MAC Management Enhancements**

38
39 **14.5.13.1 Service Identity Broadcast**

40
41
42 *[Add the following entries to Table 14 in IEEE Standard 802.16-2004]*

43
44
45
46
47
48
49 **Table 14—MAC Management Messages**

50
51

Type	Message name	Message description	Connection
201	SII	MAC management message	broadcast CID

52
53
54
55
56

57
58 **14.5.13.1.1 Service Identity Information (SII) message**

59
60 A BS may use the SII message to broadcast service identity information. The message may be broadcast
61 periodically without solicitation or could be solicited by an (M)SS. This message is sent from the BS to all
62 MSSs on a broadcast CID.
63
64
65

Table 15—Service Identity Information (SII) message format

Syntax	Size	Notes
SII_REQ () {		
Management message type = xxx	8 bits	
TLV Encoded Information	Variable	TLV specific
}		

14.5.13.1.2 Service Information Identity (SII) TLV

It is a compound TLV that contains 1 or more service identity, and it is used in a broadcast SII message.

Table 16—Service Identity Information (SII) Compound TLV

Type	Length	Value
1	Variable	Compound

14.5.13.1.3 Service Identity TLV

The service identity can be represented as a 24-bit identity or NAI. The following TLVs are defined for each representation of the identity.

Table 17—Using 24-bit Identity

Type	Length	Value
2	3 bytes	24-bit Identifier

Table 18—Using NAI

Type	Length	Value
3	32 bytes	realm

Appendix 1

<Section Note: Discussion on Spanning Tree>

Annex F: IRP Solution Sets for Management (Informative)

Annex G: Network Topologies (Informative)

This annex provides two types of network topologies without precluding other typical topologies.

G.1 Full distributed network

Figure 5 is a diagram of the typical full distributed network.

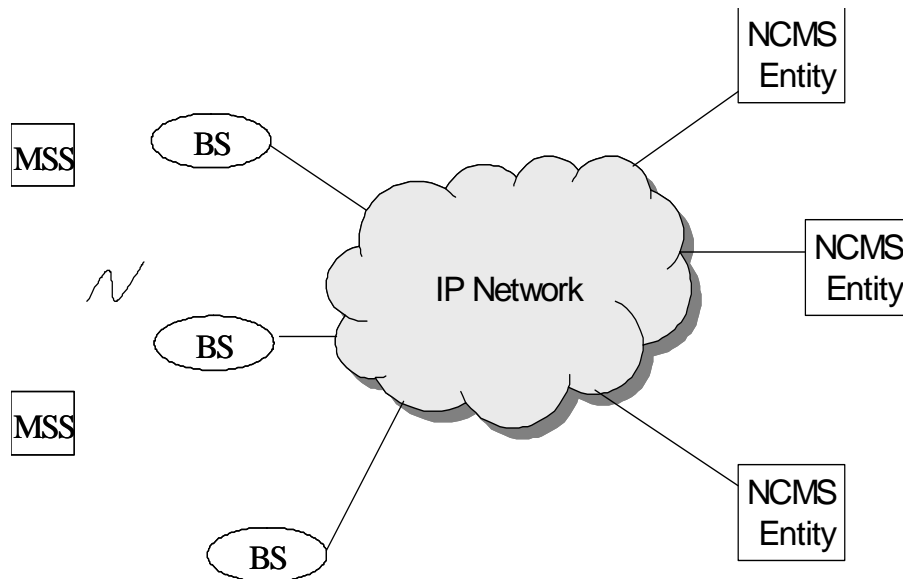


Figure 5—Distributed network

In a full distributed network, BS connects to IP network directly. NCMS is implemented as several network elements, each of the elements is also connects to IP network directly. Some NCMS functions, such as gateway and router service, are embedded in BS.

1 **G.2 Centralized network**
2

3
4 802.16's network can also be deployed as cellular system does now. Figure 2 is a diagram of the typical cen-
5 tralized network, which is similar to 3G core network.
6

7 <Section Note: Figure TBD>
8
9
10
11
12
13
14
15
16
17
18
19
20
21
22
23
24
25
26
27
28
29
30
31
32
33
34
35
36
37
38
39
40
41
42
43
44
45
46
47
48
49
50
51
52
53
54
55
56
57
58
59
60
61
62
63
64
65

1
2
3
4
5
6
7
8
9
10
11
12
13
14
15
16
17
18
19
20
21
22
23
24
25
26
27
28
29
30
31
32
33
34
35
36
37
38
39
40
41
42
43
44
45
46
47
48
49
50
51
52
53
54
55
56
57
58
59
60
61
62
63
64
65