

Project	IEEE 802.16 Broadband Wireless Access Working Group < <a href="http://ieee802.org/16">http://ieee802.org/16</a> >	
Title	A Proposal for <a href="#">Construction and transmission of</a> Relay MAC PDU <a href="#">Format</a> in 16j network	
<b>Date Submitted</b>	<b>2007-04-15</b>	
Source(s)	Qu Hongyun, Sean Cai, Mary Chion, Liu Yang, Chen Yuqin ZTE Corporation 712/2, Liantang Pengji Industrial Park, Luohu District, Shenzhen, P.R.China 518004	Voice:+86-755-26773000 exd. 6614  E-mail: <a href="mailto:qu.hongyun@zte.com.cn">qu.hongyun@zte.com.cn</a> , <a href="mailto:scai@zteusa.com">scai@zteusa.com</a>
Re:	IEEE 802.16j-07/007r2:“Call for Technical comments and contributions regarding IEEE Project P802.16j”	
Abstract	This document presents a relay MAC PDU format for IEEE 802.16j.	
Purpose	Propose the sleep mode operations for IEEE 802.16j	
Notice	This document has been prepared to assist IEEE 802.16. It is offered as a basis for discussion and is not binding on the contributing individual(s) or organization(s). The material in this document is subject to change in form and content after further study. The contributor(s) reserve(s) the right to add, amend or withdraw material contained herein.	
Release	The contributor grants a free, irrevocable license to the IEEE to incorporate material contained in this contribution, and any modifications thereof, in the creation of an IEEE Standards publication; to copyright in the IEEE’s name any IEEE Standards publication even though it may include portions of this contribution; and at the IEEE’s sole discretion to permit others to reproduce in whole or in part the resulting IEEE Standards publication. The contributor also acknowledges and accepts that this contribution may be made public by IEEE 802.16.	
Patent Policy and Procedures	The contributor is familiar with the IEEE 802.16 Patent Policy and Procedures < <a href="http://ieee802.org/16/ipr/patents/policy.html">http://ieee802.org/16/ipr/patents/policy.html</a> >, including the statement "IEEE standards may include the known use of patent(s), including patent applications, provided the IEEE receives assurance from the patent holder or applicant with respect to patents essential for compliance with both mandatory and optional portions of the standard." Early disclosure to the Working Group of patent information that might be relevant to the standard is essential to reduce the possibility for delays in the development process and increase the likelihood that the draft publication will be approved for publication. Please notify the Chair < <a href="mailto:chair@wirelessman.org">mailto:chair@wirelessman.org</a> > as early as possible, in written or electronic form, if patented technology (or technology under patent application) might be incorporated into a draft standard being developed within the IEEE 802.16 Working Group. The Chair will disclose this notification via the IEEE 802.16 web site < <a href="http://ieee802.org/16/ipr/patents/notices">http://ieee802.org/16/ipr/patents/notices</a> >.	

## A Proposal for Relay MAC PDU Format in 16j Network

### Introduction

As described in current 16j baseline, relay MAC PDU can be transmitted by using the tunnel or station ID. Here we propose a relay MAC PDU format which is transmitted on relay link. The relay MAC PDU format proposed here is used for multihop relay network without using the tunnel.

A multihop relay network is illustrated as Figure 1. MR-BS receives PDUs from the network for mobile stations. MR-BS shall create relay MAC PDUs (R-PDUs) for transmission on relay link to the designated RS by encapsulating MS's MAC PDUs to a relay MAC PDU (R-PDU). RS receives the relay MAC PDU and decodes it to regular MAC PDU for its MS.

For multihop relay network, MR-BS encapsulates subordinate R-PDU and MS MAC PDU into a superordinate R-PDU. MR-BS always first create R-PDUs for RS of the last hop and encapsulates the created R-PDU and MS MAC PDUs, if exist and necessary, into a superordinate R-PDU. The above process is repeated until the R-PDU for the RS of the first hop is created. RS of the first hop receives and decodes the R-PDU into regular MS MAC PDUs and R-PDUs, and transmits them to MS and its subordinate RS on access link and relay link respectively.

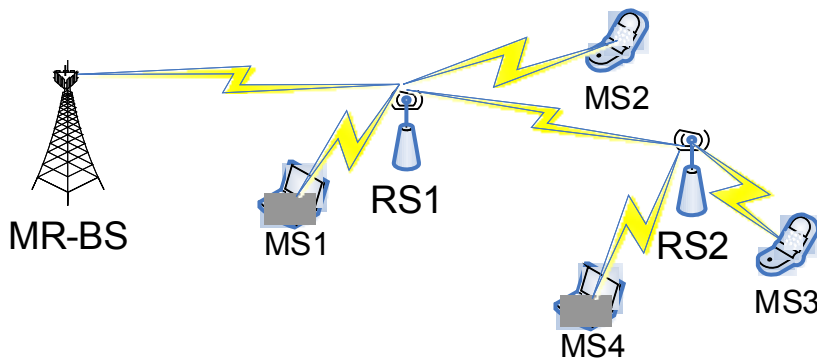


Figure 1

The exemplary format of relay MAC PDU (R-PDU) is illustrated in Figure 2. The R-PDU for RS1 is created by MR-BS and transmitted on relay link to RS1. After RS1 receives this R-PDU, RS1 decodes the R-PDU to R-PDU for RS2 and MAC PDUs for MS1 and MS2. RS1 transmits MAC PDUs for MS on access link and transmits R-PDU to RS2 on relay link. CRC fields can be included in R-PDUs. The PHY burst allocation on which R-PDU is transmitted is addressed to the designated RS which is respected to receive the R-PDU.

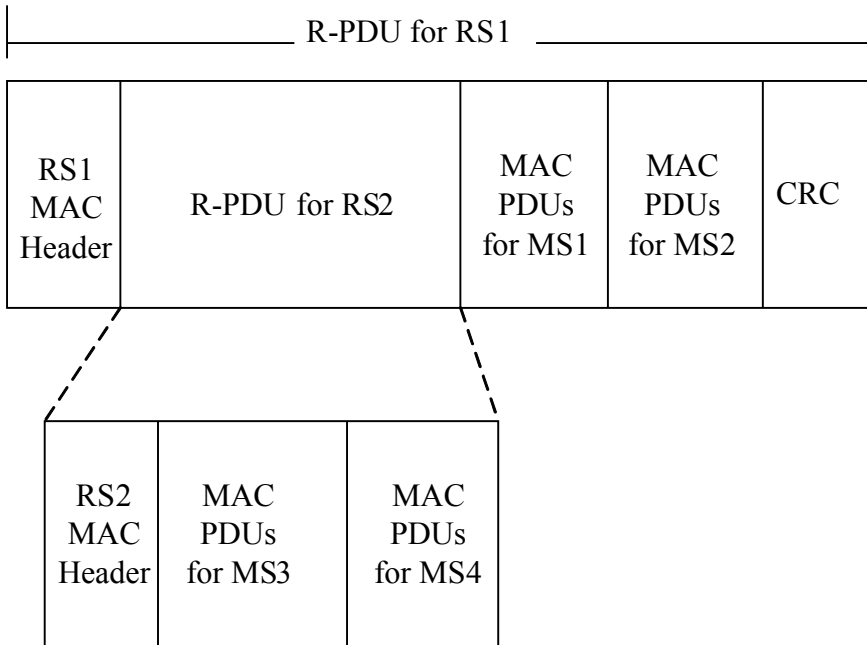


Figure 2

## Specific Text change

~~[Insert the following sentence at the end of the section 6.3.3.8.2]~~  
Add new section 6.3.3.8.3 ]  
6.3.3.8.3 Construction and Transmission of Relay MAC PDU using multiple tunnels

A relay MAC PDU may be constructed by encapsulating multiple 16e MAC PDUs and/or multiple relay MAC PDUs with a relay MAC header. Within the relay MAC header, the tunnel CID (T-CID) shall be included and is used to route the relay MAC PDU through the MR-cell.

MR-BS shall be responsible for creating relay MAC PDU with complete routing information. A Relay MAC PDU may traverse through multiple tunnels before reaching access station. MAC PDUs are relayed depending on the T-CID in the outermost relay MAC header. Once the MAC PDU arrives at the egress of the tunnel, the station at the egress removes the outermost relay MAC header and relays the payload, which may itself contain another relay MAC header. In addition, the station at the egress may calculate and attach CRC at the end of the payload before the payload is relayed.

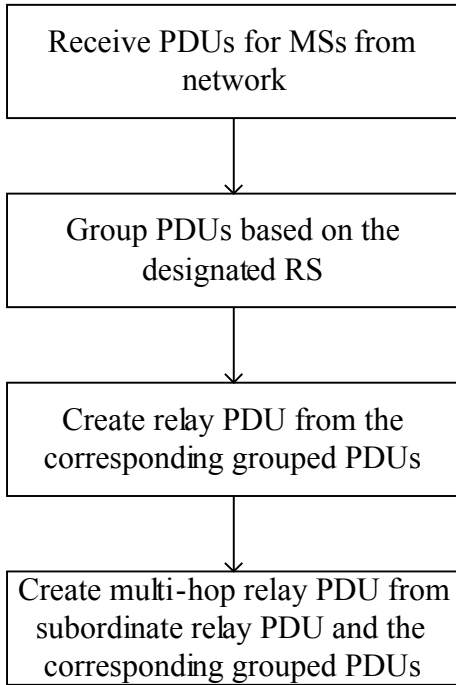
MR-BS may concatenate multiple MPDU (16e MAC PDU and/or relay MAC PDU) into one relay MAC PDU if the MPDUs are traversing through the same tunnel.

~~MR-BS receives PDUs for MS from networks and groups these PDUs based on the designated RSs. MR-BS creates relay MAC PDUs (R-PDU) by encapsulating MS MAC PDUs from the corresponding grouped PDUs. MR-BS creates multi-hop relay MAC PDUs by encapsulating subordinate R-PDUs and the corresponding grouped PDUs. The PHY burst on which R-PDUs are transmitted is addressed to the designated RS.~~

~~RS receives the multi-hop relay PDUs from MR-BS or superordinate RS. Then RS decodes the R-PDUs into~~

~~MS MAC PDUs and/or subordinate R-PDUs. RS transmits MS MAC PDU on access link to its MS. RS transmits subordinate R-PDU on relay link to its subordinate RS.~~

~~The following figure illustrates the process of creating the multi-hop relay MAC PDUs by MR-BS.~~



~~Figure xxx the process of creating multi-hop relay PDU by MR-BS~~

## References

[1] IEEE802.16j-06/026r2 Baseline Document for Draft Standard for 16j