

Project	IEEE 802.16 Broadband Wireless Access Working Group < http://ieee802.org/16 >	
Title	Clarification of MAC Service Stimulation of DSx Messages	
Date Submitted	2001-02-21	
Source(s)	Ken Stanwood Ensemble Communications 9890 Towne Centre Drive San Diego, CA 92121	Voice: (858) 404-6559 Fax: (858) 638-7142 mailto: ken@ensemblecom.com
Re:	Letter Ballot #3	
Abstract	Proposed text for a section that contains figures.	
Purpose	In support of a comment that required Figures	
Notice	This document has been prepared to assist IEEE 802.16. It is offered as a basis for discussion and is not binding on the contributing individual(s) or organization(s). The material in this document is subject to change in form and content after further study. The contributor(s) reserve(s) the right to add, amend or withdraw material contained herein.	
Release	The contributor grants a free, irrevocable license to the IEEE to incorporate text contained in this contribution, and any modifications thereof, in the creation of an IEEE Standards publication; to copyright in the IEEE's name any IEEE Standards publication even though it may include portions of this contribution; and at the IEEE's sole discretion to permit others to reproduce in whole or in part the resulting IEEE Standards publication. The contributor also acknowledges and accepts that this contribution may be made public by IEEE 802.16.	
Patent Policy and Procedures	<p>The contributor is familiar with the IEEE 802.16 Patent Policy and Procedures (Version 1.0) <http://ieee802.org/16/ipr/patents/policy.html>, including the statement "IEEE standards may include the known use of patent(s), including patent applications, if there is technical justification in the opinion of the standards-developing committee and provided the IEEE receives assurance from the patent holder that it will license applicants under reasonable terms and conditions for the purpose of implementing the standard."</p> <p>Early disclosure to the Working Group of patent information that might be relevant to the standard is essential to reduce the possibility for delays in the development process and increase the likelihood that the draft publication will be approved for publication. Please notify the Chair <mailto:r.b.marks@ieee.org> as early as possible, in written or electronic form, of any patents (granted or under application) that may cover technology that is under consideration by or has been approved by IEEE 802.16. The Chair will disclose this notification via the IEEE 802.16 web site <http://ieee802.org/16/ipr/patents/notices>.</p>	

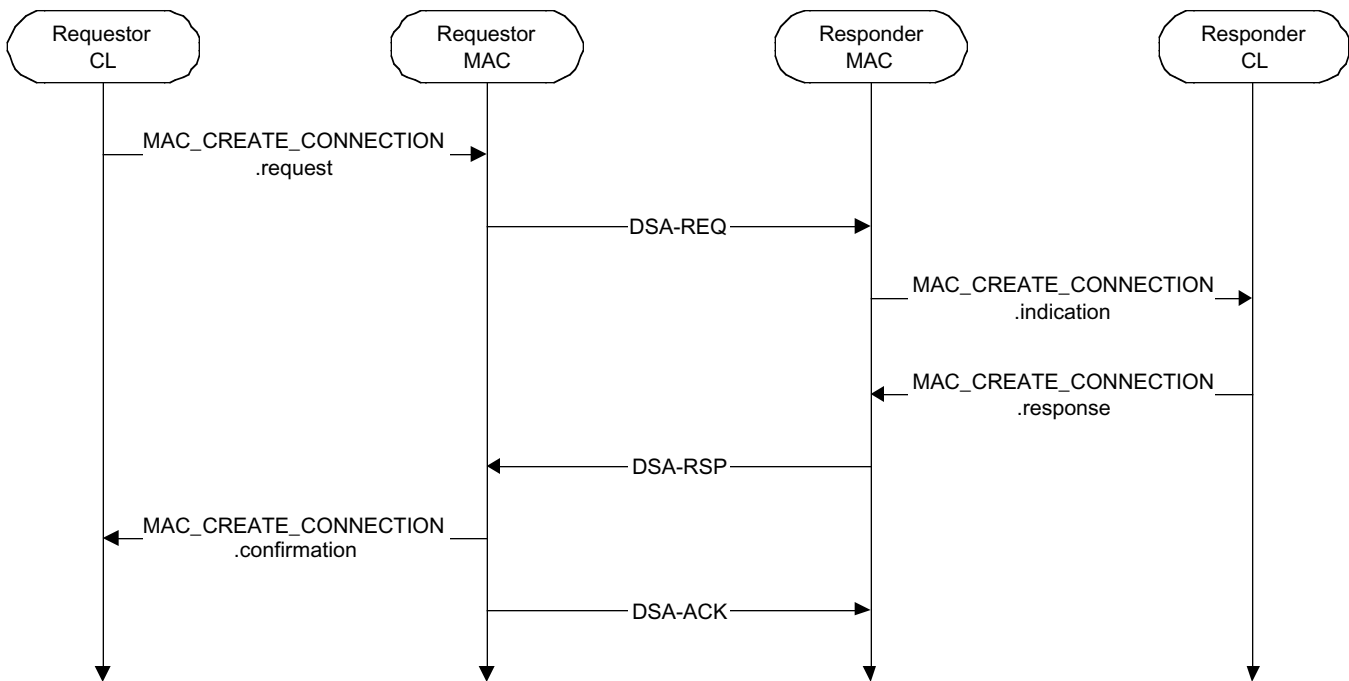
Clarification of MAC Service Stimulation of DSx Messages

Ken Stanwood
Ensemble Communications

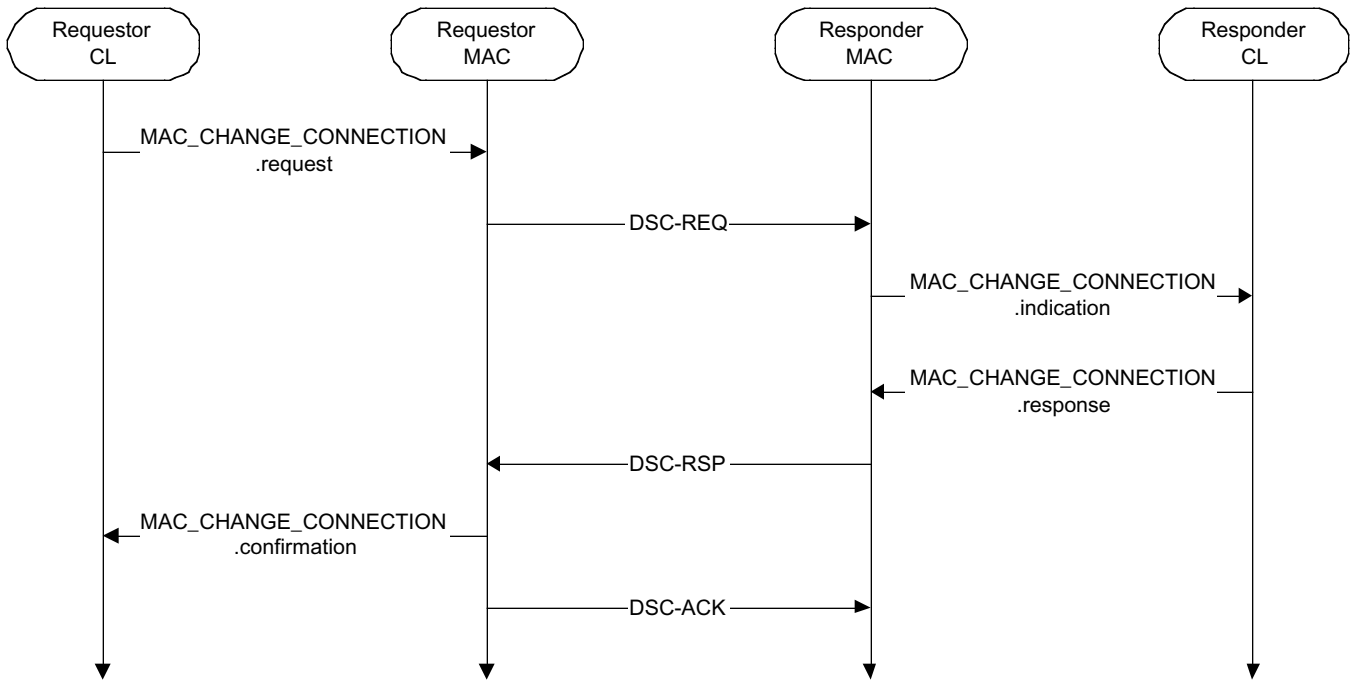
6.1.2 MAC Service Stimulation of Dynamic Service Messages

This section describes the logical interaction between the MAC Service primitives and the DSx messages.

The sequence of logical MAC SAP events and the associated actual MAC events effecting a convergence sublayer stimulated connection creation are shown in Figure 1.



The sequence of logical MAC SAP events and the associated actual MAC events effecting a convergence sublayer stimulated connection change are shown in Figure 2.



The sequence of logical MAC SAP events and the associated actual MAC events effecting a convergence sublayer stimulated connection deletion are shown in Figure 3.

