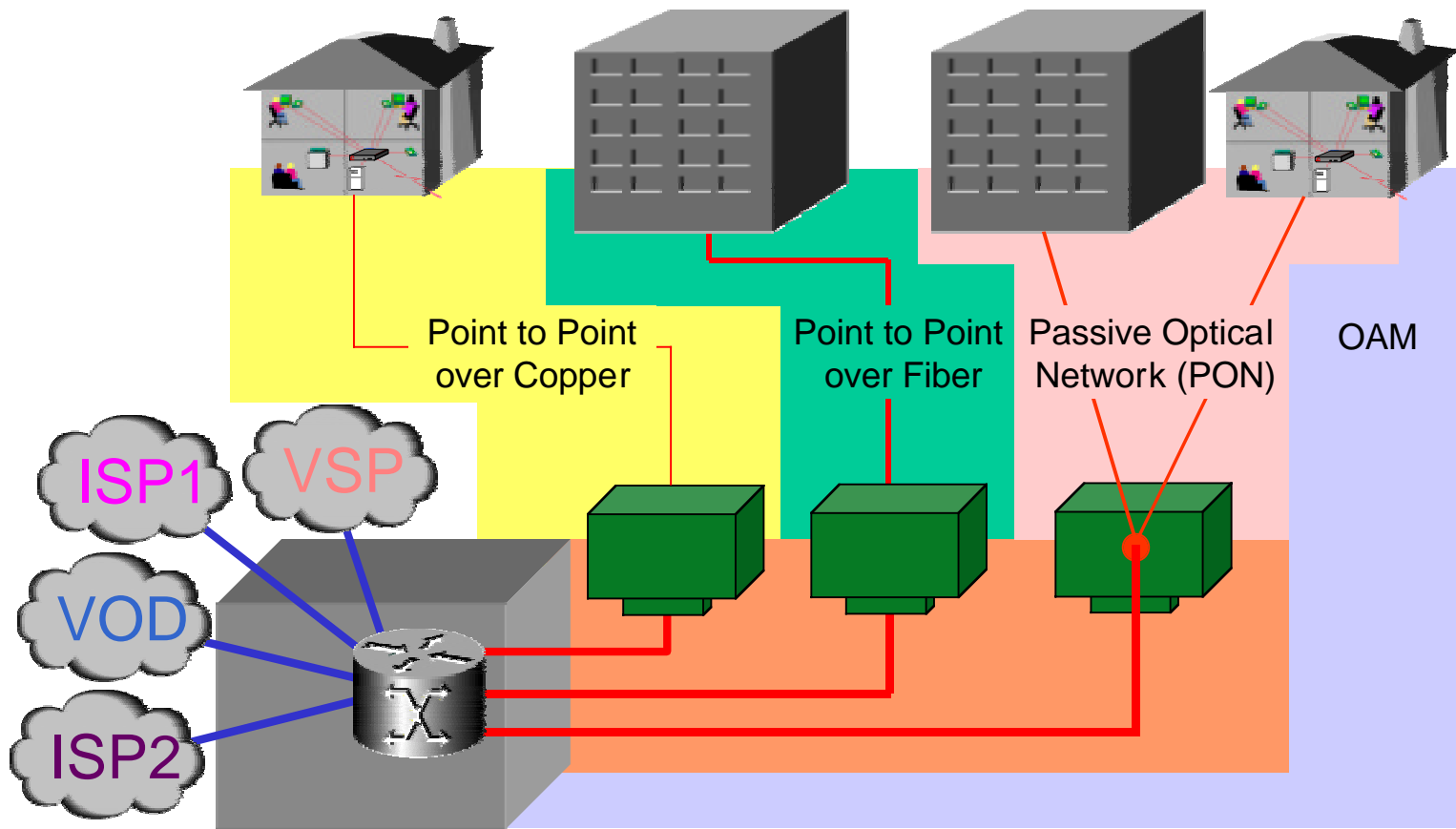


802.3ah OAM Objectives

Denton Gentry, Dominet Systems
denny@dominetsystems.com



What is EFM?



802.3ah PAR approved

- Approved as 802.3 Task Force
- No technical proposals adopted as yet
 - Lots of technical presentations
- These are my best guesses for OAM
 - my Magic 8 Ball is sometimes cloudy

Remote Link Integrity

- Likely to define Remote Fault Indication
 - Tell the remote end that you lost signal
 - Mechanism for signaling RFI is unclear
- Will also do “Link Monitoring”
 - BER tracking
 - S/N tracking
 - FEC correctable errors
 - Dying Gasp
 - Could be anything at this point

Remote Loopback

- Likely to define a Remote Loopback
 - Probably not connecting RX to TX
 - Not a Facility Loopback
 - More like ping at L2
 - Mechanism TBD:
 - Define an EtherType?
 - Define MacControl Opcode?

OOB Channel

- Lots of discussion on Out Of Band Channel
 - Carried by PHY along with data traffic
 - Very much like Sonet DCC
 - Lots of different mechanisms
 - Several vocal proponents
 - Many opponents
 - Objective rejected, but still discussed

New PHY types

- Ethernet P2P over simplex fiber
 - One fiber carries TX and RX
 - WDM (1300+/-, 1550+/-, 1300/1550, etc)
- Passive Optical Networks
 - Shared media downstream
 - TDMA upstream
 - Lots of choices for upstream
- Copper
 - Long reach over lousy & lossy cable