

Thoughts on Low-pin-count Low-power Media Independent Interface

Fort Worth
September, 2016

**Jay Cordaro, Pat Thaler
Broadcom Limited**

Contributors and Supporters

Contributors

Mehmet Tazebay, Broadcom Limited

Ahmad Chini, Broadcom Limited

Supporters

Bernd Körber, FTZ Zwickau

Jens Wülfing, TE Connectivity

Bert Bergner, TE Connectivity

Jinhwa Yun, Hyundai

Dan Dove, Dove Networking

John Hess, Bel Fuse

Dave Dwelley, Linear Technology

Josetxo Villanueva, Renault

Dinh Thuyen, Pulse

Kirsten Matheus, BMW

Dongok Kim, Hyundai

Nobukatsu Kitajima, Renesas

Eric DiBiaso, TE Connectivity

Richard Mei, Commscope

Hideki Goto, Toyota

Stefan Buntz, Daimler AG

Farid Hamidy, Pulse

Sterling Vaden, Surtec Industries

Agenda

- Overview
- Goals & Assumptions
- Media Independent Interface Options
- Conclusions

Overview

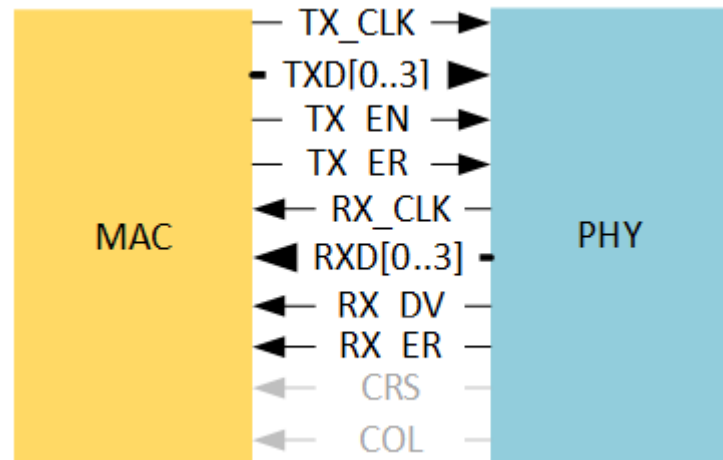
- The standard **Clause 22** MII interface, operating at **10Mbps** requires 14-16 pins.
- Industry standard **RGMII** requires 12 pins.
- Some targets of **10Mbps** single pair will not have integrated **PHYs** and will have a price point which requires keeping pin count down and implementation complexity as low as possible to meet the cost objective.

Goals and Assumptions

- While some targets are cost constrained, other targets require a **MAC** interface which is already standardized, namely **MII**.
- The goal of this presentation is not to preclude implementation of a **10SPE PHY** with **MII**.
- Rather, it is to suggest feasibility for a low-power, low-pin count **MAC** interface for those cost constrained nodes which require it.
- This presentation enumerates some **MAC** interface possibilities “**xMII**” where **xMII** is used for a generic media interface.

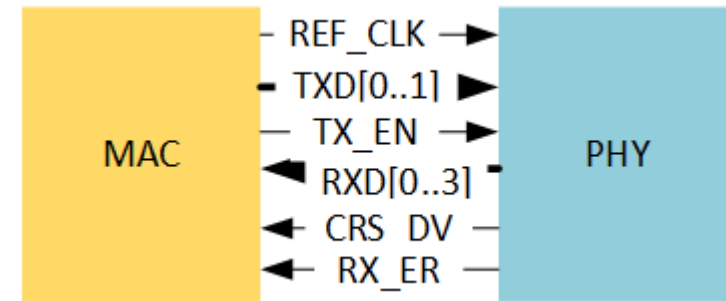
MII

- **MII** interface defined for 100Mbps operation. It has 16 pins.
- If half duplex capability is eliminated (**MII-Lite**), 14 pins are required.



RMII

- Industry standard **RMII** was defined to save pins vs. **MII**. It requires 8 pins and the clock runs at **50MHz**, **10Mbps** data is repeated 10 x.
- **50MHz** can increase emissions.
- Repeating data **10x** is wasteful.

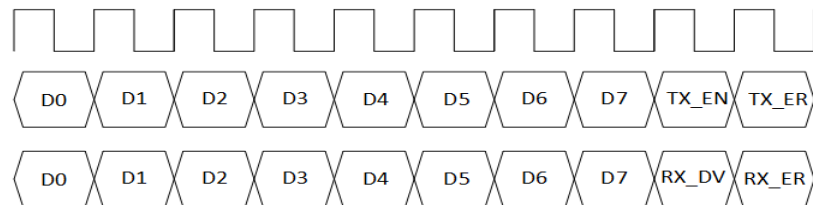
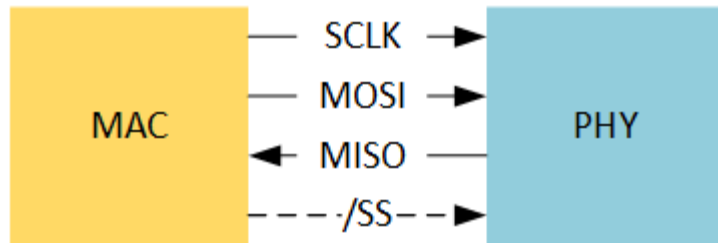


xMII Option: DME

- One option for a low-pin count interface between the **MAC** and the **PHY** is to utilize Differential Manchester Encoding (**DME**).
- **DME** is used in **Clause 73** and **Clause 98**
- Self-synchronizing, eliminates need for clock. Could drive single-ended with 2 pins, or differential with 4.
- More complex and **EMC** may be a concern

xMII Option: SPI

- **SPI** is used for many microcontroller peripherals including moderate-rate **ADCs** and is defined in **SDIO** (SD Card specification)
- Widespread use in various technologies
- 3-4 pin serial interface:
 - **SCK** Provided by **MAC** controller (Master)
 - **MOSI** (Master Output, Slave Input)
 - **MISO** (Master Input, Slave Output)
 - **/SS** Slave Select



- Data pins could send 10 bits per data octet @ **12.5MHz SCK**, with **TX_EN, TX_ER, RX_DV, RX_ER** added at end of octet.
- If clock stops when no data transferred to save power, may require additional pin to signal to **MAC** to start clock.

xMII Option: SPI-like Variants

- Many possible variations on **SPI**:
 - Can make the **PHY** the master instead of the **MAC**
 - Run double data rate (1 bit transferred per level change)
 - Use Clock line to indicate start of packet.
- **SPI** may provide a starting point for a reduced-pin **xMII**.

Media Independent Interface Options

xMII	# of PINS	Clock	Complexity	EMC Concern
MII	14-16	2 x 2.5 MHz	Simple	No
RMII	8	1 x 50 MHz	High	Yes
SPI	3-4	1 x 12.5 MHz	Medium	No
Serial DME	2 or 4	N/A	High	Yes
SPI-like Variations	3 - 5	1 x 10MHz or 1 x 5MHz	Medium	No

Other Thoughts

- All of the clocks suggested are below **30MHz** which should help with the fundamental radiating.
- With automotive **EMC**, possibility exists for significant radiation at harmonics of the clock, which might make board design more costly.
- Optionally, **FM** modulating the clock(s) could significantly reduce detected radiation from clock harmonics.

Management Interface

- **MII** defined the data interface and the management interface.
- The management interface should be separate from the **MAC** interface.
- It could be **Clause 45 MDIO** which is a 2-pin interface or a management interface used in the industry.

Conclusions

- **DME, SPI**, or an **SPI-variant** interface can help **10SPE** achieve its cost and complexity objectives by reducing pin count substantially
- Each interface has its advantages and disadvantages
 - **SPI** is already an industry standard and could be utilized with existing MAC interface equipment.
 - **DME** eliminates the clock.
 - An variant of **SPI** could allow stopping the clock for power savings.
- There exist feasible options for a low-pin-count low power media independent interface for **10SPE**

Thank You!