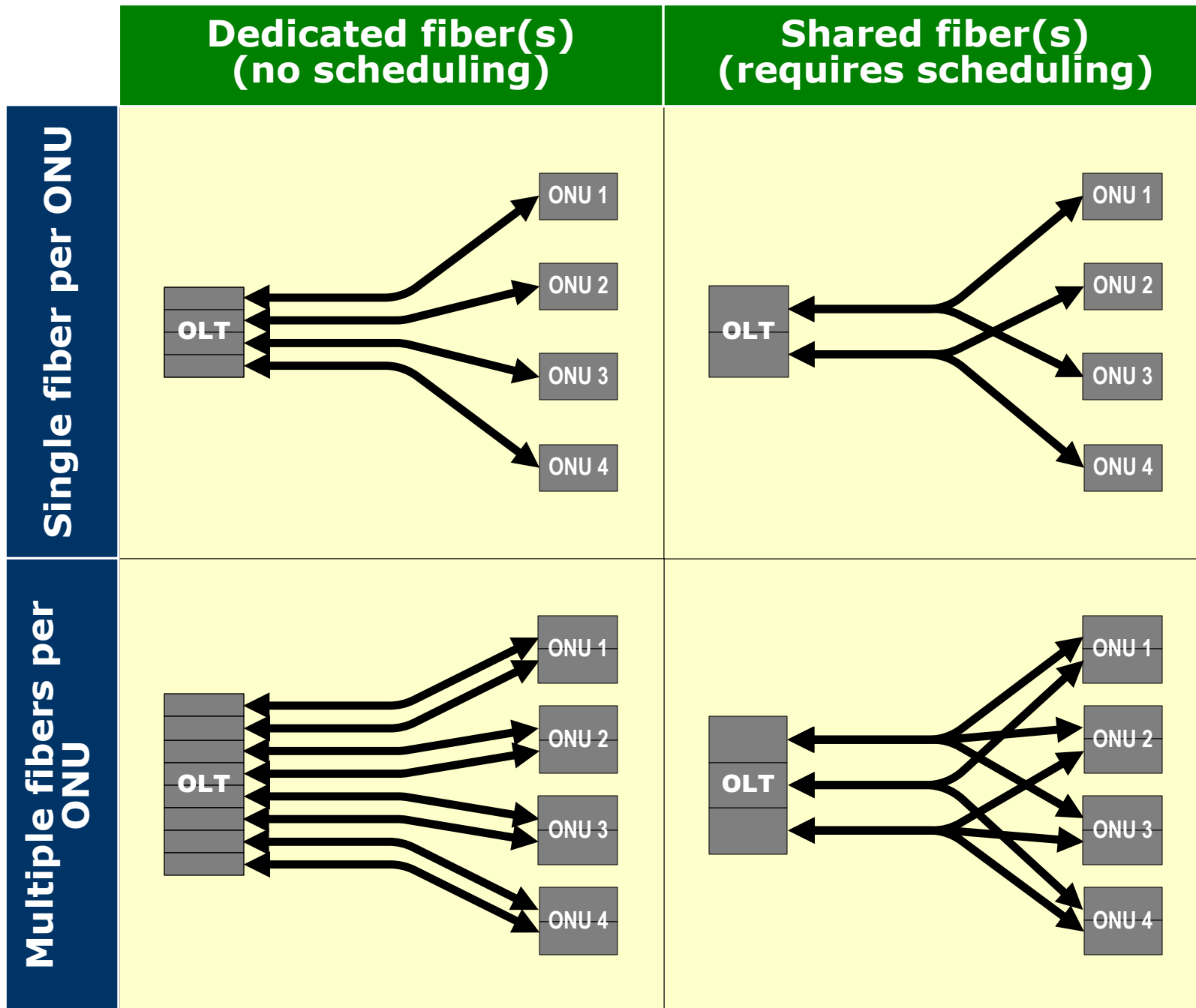


Note that each line connecting the OLT and an ONU represents a bidirectional channel consisting of one downstream wavelength and one upstream wavelength

**Figure 1: FTTx connectivity modes using wavelength-division multiplexing**



Note that each line connecting the OLT and an ONU represents a separate fiber (ODN)

**Figure 2: FTTx connectivity modes using separate fibers**