

802.3ae Plenary Meeting

Albuquerque, New Mexico

Jonathan Thatcher

jonathan@worldwidepackets.com

Agenda

- **Welcome and Introductions**
- **Select Recording Secretary**
- **Review / Approve Agenda**
- **Appoint “Executive Committee” (Chair, Vice Chair, Chief Editor, Track Chairs)**
- **E-mail Reflector, Web Site, and Miscellaneous Information**
- **Call for Patents**
- **Objectives for This Week**
- **Document Distribution**
- **Presentations**
- **Old Business**
- **New Business**
- **Planing for May 2000 Meeting; Select Site**
- **Approve Minutes of January, 2000 Meeting**
- **Review New Action Items**
- **Adjourn**

E-mail Reflector

The IEEE has set up a reflector for this study group:

stds-802-3-hssg@mail.ieee.org

The reflector can be used for announcements, comments, discussions, or dissemination of information related to the work of this study group

The reflector should not be used for recruiting, advertising, soliciting, flaming, whining, subscribing, or unsubscribing

To be added to the reflector, send an E-mail containing the following line:

subscribe stds-802-3-hssg <your email address>

to

majordomo@mail.ieee.org

To send a message to the HSSG reflector use the email address:

stds-802-3-hssg@ieee.org

Subscriptions are on an individual basis only

No proxy requests or reflectors will be subscribed

IEEE Web Site

Typical Plenary Meeting Plan (802.3ae will meet during “Task Force” slots):

<http://grouper.ieee.org/groups/802/3/plenary.html>

802.3ae 5 Criteria:

<http://grouper.ieee.org/groups/802/3/ae/criteria.pdf>

802.3ae PAR:

<http://grouper.ieee.org/groups/802/3/ae/PAR-802-3ae.pdf>

802.3 Voting Rules

<http://grouper.ieee.org/groups/802/3/rules/member.html>

802.3 Patent Policy

<http://grouper.ieee.org/groups/802/3/patent.html>

802.3 Presentation Policy

<http://grouper.ieee.org/groups/802/3/ae/public/presentproc.html>

IEEE 802.3 Requirements for Working Group Voting Membership

If you wish to vote on 802.3 standards at the Working Group Ballot stage you need to become a Voting Member of Working Group 802.3.

Membership is by individual, not company.

To become a voter:

- Attend and sign the attendance book at least 75% of the sessions of two Working Group 802.3 Plenary meetings (within the last four).
- Full attendance at a two day or more duly constituted Working Group 802.3 Interim Meeting can be substituted for attendance at one plenary.
- Have complete and current contact information recorded in the Working Group 802.3 database.
- Request to become a voter during a Working Group 802.3 Opening or Closing plenary meeting when additions to the voter list are solicited by the Chair from the "Potential Voter" list.

To remain a voter you must:

- Maintain current contact information in the Working Group 802.3 database.
- Have 75% attendance during at least two of the last four plenaries (Attendance at an interim can substitute for attendance at no more than 1 plenary).
 - ♦ Participate in Working Group ballots. You can be dropped for not returning or abstaining in two of the last three ballots.

The Attendance Books

SIGN “THE BOOK” EVERY DAY

KEEP IT MOVING

**IF YOU ARE NEW, SIGN THE NEW-BEES
BOOK**

- **Put business card in back or fill out address...**
- **Sign this book every day; no forward signing**

**DO NOT REMOVE THE BOOK FROM THE
ROOM; DO NOT COPY THE BOOK**

Future Meetings

May 22-26; Ottawa

July 10-14; La Jolla, CA

Sept: ?

Copenhagen, Denmark (5-7th) : 64

Boston, Mass (11th+): 73

Other plenary meetings can be found in:

<http://grouper.ieee.org/groups/802/minutes/nov1999/index.html>

No other interim meetings planned;

- If you would like to host a meeting for Jan, May, or Sept 2001,
- Get authorization from your company and volunteer at this or future meeting

HSSG Objectives (1 of 2)

- **Preserve the 802.3/Ethernet frame format at the MAC Client service interface.**
- **Meet 802 Functional Requirements, with the possible exception of Hamming Distance.**
- **Preserve minimum and maximum FrameSize of current 802.3 Std.**
- **Support full-duplex operation only.**
- **Support star-wired local area networks using point-to-point links and structured cabling topologies.**
- **Specify an optional Media Independent Interface (MII).**
- **Support proposed standard P802.3ad (Link Aggregation)**
- **Support a speed of 10.000 Gb/s at the MAC/PLS service interface**

HSSG Objectives (2 of 2)

Define two families of PHYs

- A LAN PHY, operating at a data rate of 10.000 Gb/s
- A WAN PHY, operating at a data rate compatible with the payload rate of OC-192c/SDH VC-4-64c

Define a mechanism to adapt the MAC/PLS data rate to the data rate of the WAN PHY

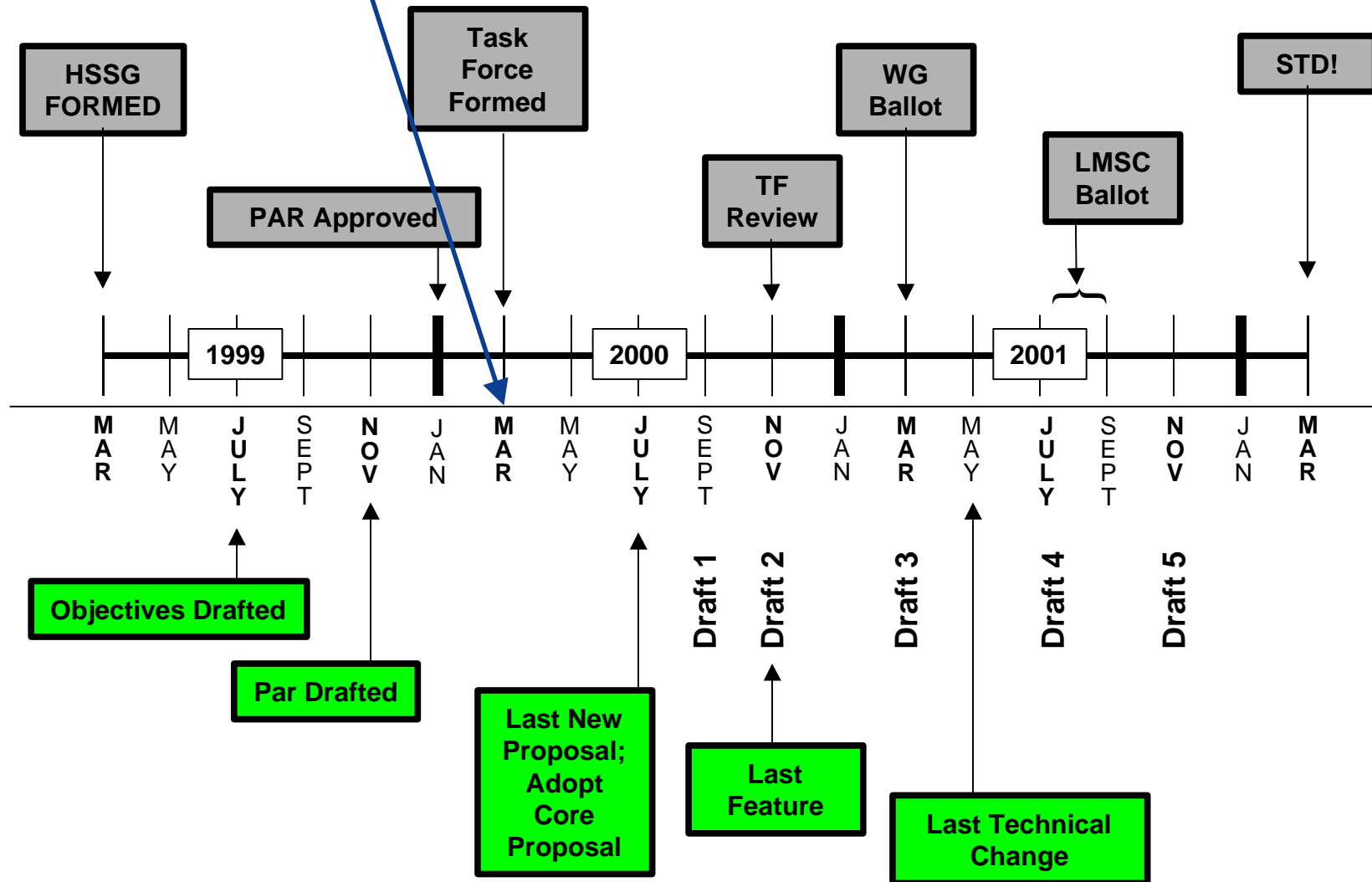
Provide Physical Layer specifications which support link distances of:

- At least 100 m over installed MMF
- At least 300 m over MMF
- At least 2 km over SMF
- At least 10 km over SMF
- At least 40 km over SMF

Support fiber media selected from the second edition of ISO/IEC 11801 (802.3 to work with SC25/WG3 to develop appropriate specifications for any new fiber media).

Long Term Schedule

You are here



Goals For This Week (1 of 2)

Organize:

- Chair,
- Vice Chair,
- Chief Editor,
- 2 Track Chairs (sub task force chairs)

Done by now...

First Split into 2 tracks

- PMD (PMA) and,
- “Everything else”

Chair changed his mind again?

Adopt terminology

Review 802.3 letter to ITU and and make proposal

Adopt schedule

Goals For The Week (2 of 2)

Close “Brainstorming Phase”

Start “Selection Phase” (March – July)

- **March:**
 - Survey membership for current “state of mind”
 - Reduce number of PMD proposals (7 or less?)
- **May:**
 - Stage for July final selection of proposals
 - Identify final candidates (e.g. coding schemes);
 - Consolidate proposals; identify clause structure
- **July:**
 - Adopt and refine baseline proposal
 - Plan 1st draft (September)

Motion 1

Adopt long term schedule goals (particularly cut-off dates)

- ◆ Moved:
- ◆ Seconded:
- ◆ Technical: >75% required
 - Yes:
 - No:
 - Abstain:

Closing Discussions

- **Terminology document**
- **Membership database**
- **LAN PHY / LAN PHY names**
- **802.3ae Patent Letters:**
 - MB810
 - Agilent
- **Approve Minutes of Dallas Meeting**
- **Next Meeting: Ottawa, May 22 – 25?**
- **Motions**
- **Review New Action Items**
- **Adjourn**

Terminology

To be added to the revised terminology document:

This terminology document was created by an ad-hoc for the purpose of improving communication during committee meetings.

This terminology does not represent an official position on the part of the P802.3ae TF.

Presenters are encouraged to review these definitions and use them as appropriate.

Issue With Names

LAN PHY and WAN PHY names do not correctly represent the objectives

Try explaining to the press why:

- **The WAN PHY is expected to be primarily a short jumper in the POP while**
- **The LAN PHY will run up to 40 km over dark fiber**

WAN PHY

The WAN PHY is used in those cases where Ethernet is passed through a common carrier, SONET-based infrastructure and you need to be compliant with:

- **The install base of SONET equipment**
- **Regulatory requirements**
- **The 3R's**

Motions

- **Adopt Schedule (complete)**
- **CDRH Letter (Paul Kolesar)**
- **PMD Downselect (Walt Thirion)**
- **ITU Letter (Steve Haddock)**

10 GEA Created

The 10 Gigabit Ethernet Alliance is formed and accepting memberships

- **This is a marketing organization in support of the 802.3ae effort**
- **For information, contact:**
10gea@expomarketing.com