

P802.3ae Meeting

Nov 6-7, 2000

Tampa, Florida

Jonathan Thatcher

jonathan@wwp.com

Agenda

- **Welcome and Introductions**
- **Review / Approve Agenda**
- **E-mail Reflector, Web Site, and Miscellaneous Information**
- **Call for Patents**
- **Schedule Review & Meeting Objectives**
- **Document Distribution**
- **Presentations**
- **New Business**
- **Planning for January 2001**
- **Approve Minutes of New Orleans Meeting**
- **Review New Action Items**
- **Adjourn**

E-mail Reflector

The IEEE has set up a reflector for this study group:

stds-802-3-hssg@mail.ieee.org

The reflector can be used for announcements, comments, discussions, or dissemination of information related to the work of this study group

The reflector should not be used for recruiting, advertising, soliciting, flaming, whining, subscribing, or unsubscribing

To be added to the reflector, send an E-mail containing the following line:

subscribe stds-802-3-hssg <your email address>

to

majordomo@mail.ieee.org

To send a message to the HSSG reflector use the email address:

stds-802-3-hssg@ieee.org

Subscriptions are on an individual basis only

No proxy requests or reflectors will be subscribed

IEEE Web Site

Typical Plenary Meeting Plan (802.3ae will meet during “Task Force” slots):

www.ieee802.org/3/plenary.html

802.3ae 5 Criteria:

www.ieee802.org/3/ae/criteria.pdf

802.3ae PAR:

www.ieee802.org/3/ae/PAR-802-3ae.pdf

802.3 Voting Rules

www.ieee802.org/3/rules/member.html

802.3 Patent Policy

www.ieee802.org/3/patent.html

802.3 Presentation Policy

www.ieee802.org/3/ae/public/presentproc.html

IEEE Private Site

WRITE THIS DOWN!

Simply go to the URL:

<http://www.ieee802.org/3/ae/private/index.html>

and type in the

Username: *****

Password: *****

IEEE 802.3 Requirements for Working Group Voting Membership

If you wish to vote on 802.3 standards at the Working Group Ballot stage you need to become a Voting Member of Working Group 802.3.

Membership is by individual, not company.

To become a voter:

- Attend and sign the attendance book at least 75% of the sessions of two Working Group 802.3 Plenary meetings (within the last four).
- Full attendance at a two day or more duly constituted Working Group 802.3 Interim Meeting can be substituted for attendance at one plenary.
- Have complete and current contact information recorded in the Working Group 802.3 database.
- Request to become a voter during a Working Group 802.3 Opening or Closing plenary meeting when additions to the voter list are solicited by the Chair from the "Potential Voter" list.

To remain a voter you must:

- Maintain current contact information in the Working Group 802.3 database.
- Have 75% attendance during at least two of the last four plenaries (Attendance at an interim can substitute for attendance at no more than 1 plenary).
 - ♦ Participate in Working Group ballots. You can be dropped for not returning or abstaining in two of the last three ballots.

The Attendance Books

Sign “THE RIGHT BOOK” every day!!!

If you are new, sign the “NEW-BEES BOOK”

- Put business card in back or fill out address...

Keep them moving!!!

No forward signing!!!

**DO NOT REMOVE THE BOOKS FROM THE
ROOM; DO NOT COPY THE BOOKS**

Future Meetings

Other plenary meeting details at:

<http://grouper.ieee.org/groups/802/minutes/july2000/index.html>

**January interim meeting planned for
Irving, CA on Jan 10-12**

No other interim meetings planned;

- If you would like to host a meeting for May, or Sept 2001,
- Get authorization from your company and volunteer at this or future meeting

HSSG Objectives (1 of 2)

- **Preserve the 802.3/Ethernet frame format at the MAC Client service interface.**
- **Meet 802 Functional Requirements, with the possible exception of Hamming Distance.**
- **Preserve minimum and maximum FrameSize of current 802.3 Std.**
- **Support full-duplex operation only.**
- **Support star-wired local area networks using point-to-point links and structured cabling topologies.**
- **Specify an optional Media Independent Interface (MII).**
- **Support proposed standard P802.3ad (Link Aggregation)**
- **Support a speed of 10.000 Gb/s at the MAC/PLS service interface**

HSSG Objectives (2 of 2)

Define two families of PHYs

- A LAN PHY, operating at a data rate of 10.000 Gb/s
- A WAN PHY, operating at a data rate compatible with the payload rate of OC-192c/SDH VC-4-64c

Define a mechanism to adapt the MAC/PLS data rate to the data rate of the WAN PHY

Provide Physical Layer specifications which support link distances of:

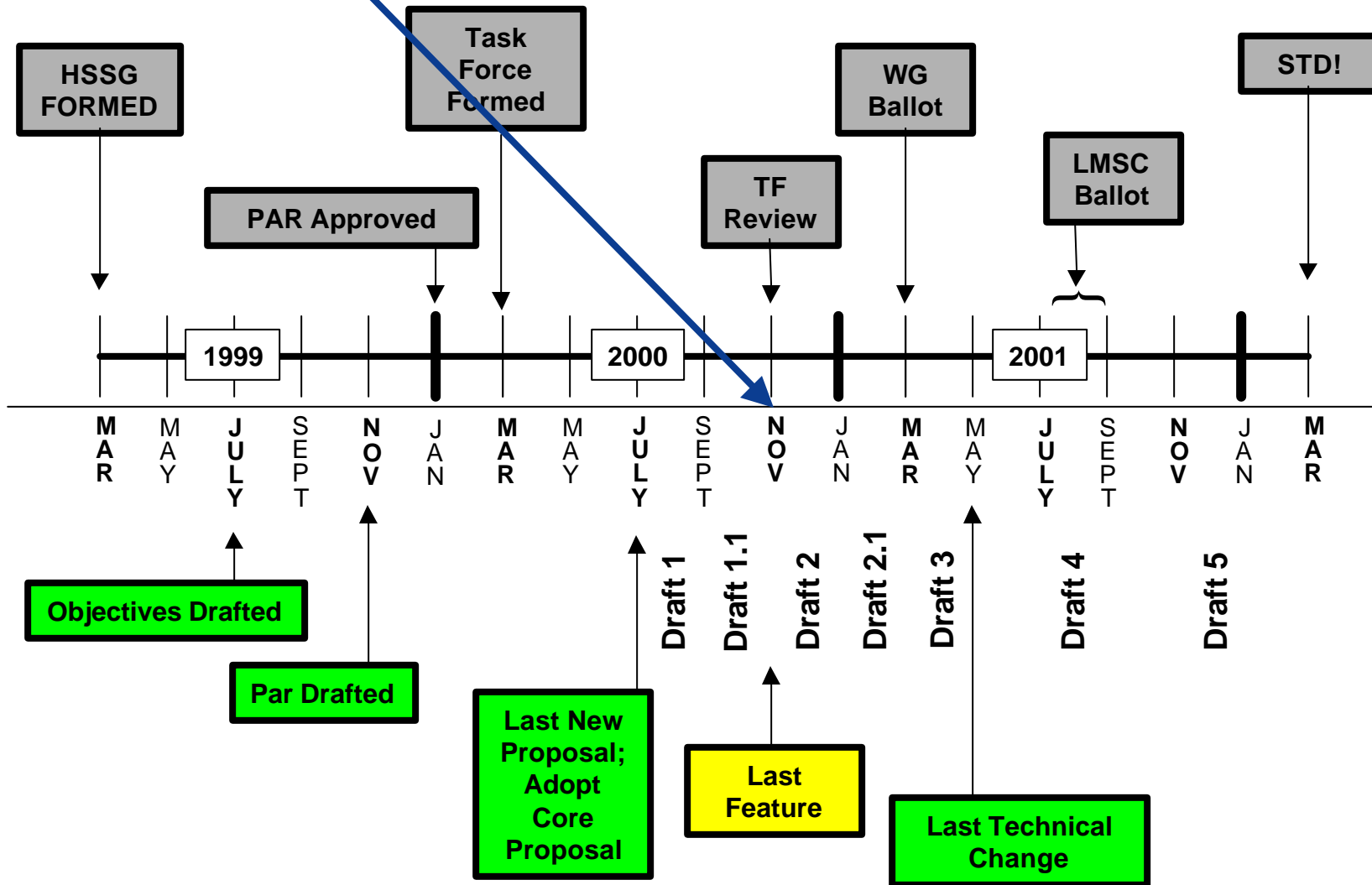
- At least 300 m over installed MMF
- At least 65 m over MMF
- At least 2 km over SMF
- At least 10 km over SMF
- At least 40 km over SMF

Support fiber media selected from the second edition of ISO/IEC 11801 (802.3 to work with SC25/WG3 to develop appropriate specifications for any new fiber media).

Call for Patents....

Long Term Schedule

You are here



Goals For The Week (1 of 2)

“Draft Phase” (Nov 00 – May 01)

- **Nov**
 - Last feature
 - Final preparations for TF ballot
- **Jan:**
 - Resolve TF comments
 - Preparations for TF recirculation
- **Mar:**
 - Resolve TF recirculation comments
 - Final preparations for WG ballot
- **May:**
 - Last technical change!!!
 - Resolve WG ballot

Goals For This Week (2 of 2)

BEGIN RESOLUTION OF BIG TICKET ITEMS

- **Jitter**
- **Remote Fault & Break Link**
- **Link Status / Signal Detect**
- **Interface Electricals & Specifications**
- **Compliance & Testing**
- **Optical Connector**
- **PMD**

Prepare for Task Force Ballot

Objectives For The Week

1. Prepare Draft For Task Force Ballot
2. Prepare Draft For Task Force Ballot
3. Prepare Draft For Task Force Ballot
4. Prepare Draft For Task Force Ballot
5. Prepare Draft For Task Force Ballot
6. Prepare Draft For Task Force Ballot
7. Prepare Draft For Task Force Ballot
8. Prepare Draft For Task Force Ballot
9. Prepare Draft For Task Force Ballot

Word to the wise....

The better the quality of the work going into the draft, the fewer the comments will be to resolve at the next meeting.

If you are not a little bit paranoid about the number of responses that will likely need to be written, you don't understand.

Focus on the technical content!!!

DOCUMENT DISTRIBUTION

Now is the time for all presentations
that were not uploaded to the
reflector last Wednesday
distributed....

Check off on presentation agenda

Change of plan for this week ...

Closing Discussions

- **Decide venue for May Meeting**
- **Decide venue for Sept Meeting**
- **Presentation uploads**
- **Old Business (none)**
- **10GEA invite**
- **Track Reports (motions)**
- **Equalization Ad-Hoc**
- **Other Ad-Hoc/Swat Teams; reflectors?**
- **Discussion on connectors**
- **May 2001 Meeting Options**
- **New Business / Other Motions**
- **Approve Minutes of New Orleans Meeting**
- **Review New Action Items**
- **Adjourn**

Move that the IEEE P802.3ae task force does not define any specific MDI connector style. The task force shall define the MDI connection orientation.

Motion to Table the above:

Moved: Walt Thirion

Second: Roy Bynum

Procedural (802.3 voters) – Y= 30, N= 8, A= 1 – 802.3 voters

Moved: Tad Szostak

Second: Schelto VanDoorn

Technical:

Move that the IEEE P802.3ae task force accept the Link Status Reporting and Initialization protocol as presented by Rich Taborek with refinements to be determined during specific clause discussions

Moved: Shimon Muller

Second: Pat Thaler

Technical (802.3 voters) – Approved by acclamation

Everyone in room – Approved by acclamation

12:05 pm