

Transmit Amplitude in a Standard 130nm Process

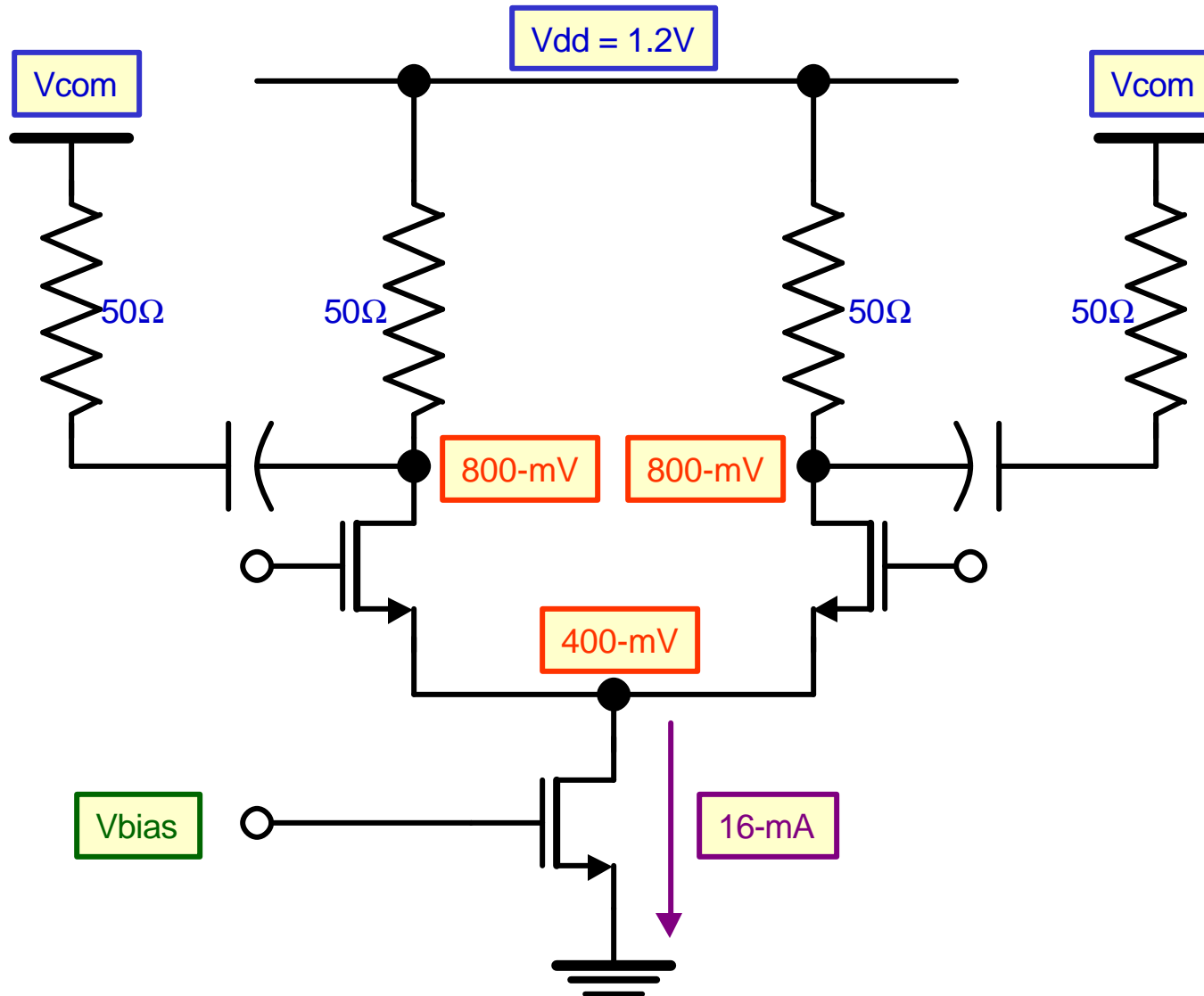


Howard Baumer & Aaron Buchwald
07 Jan 2003

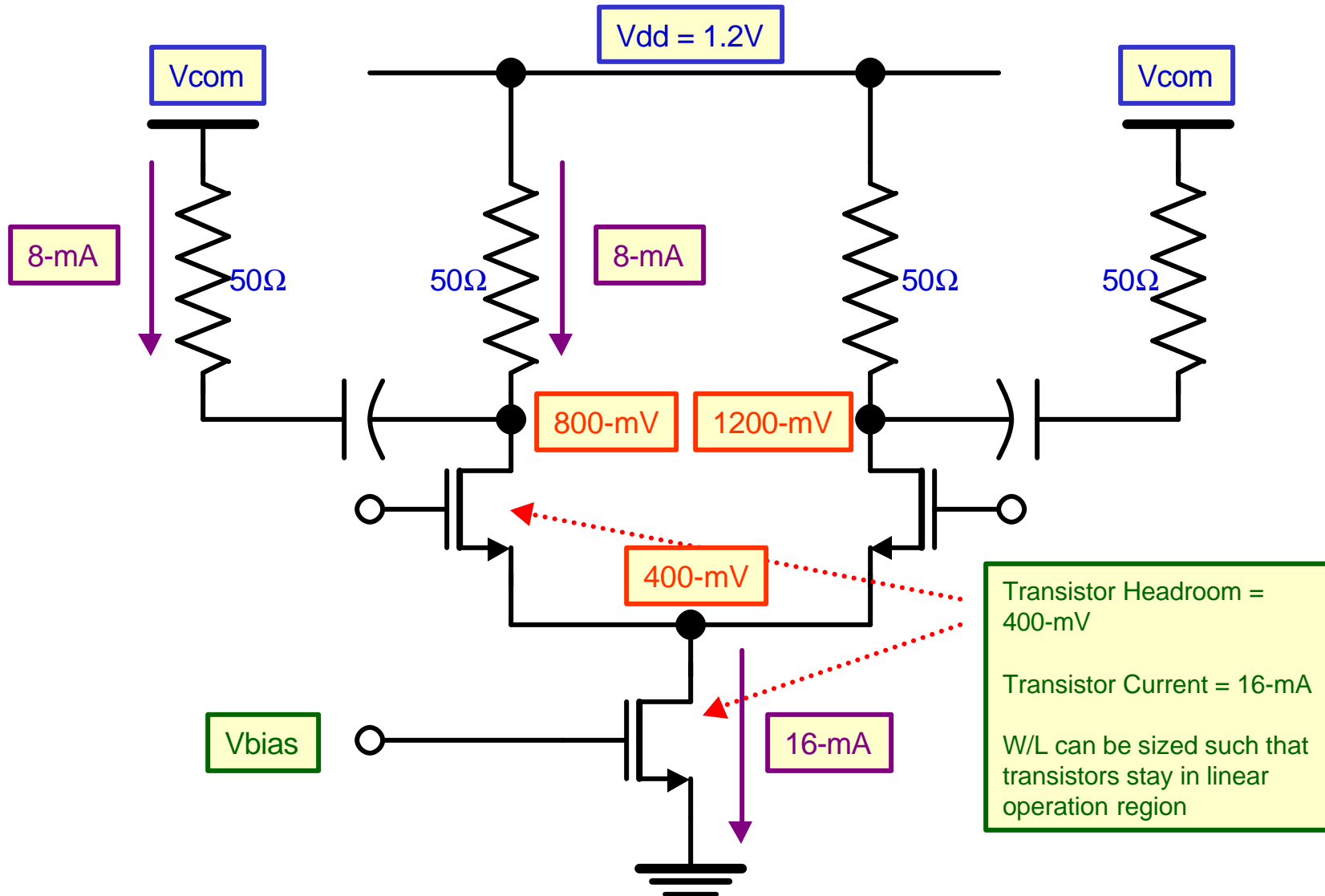
10GBASE-CX4



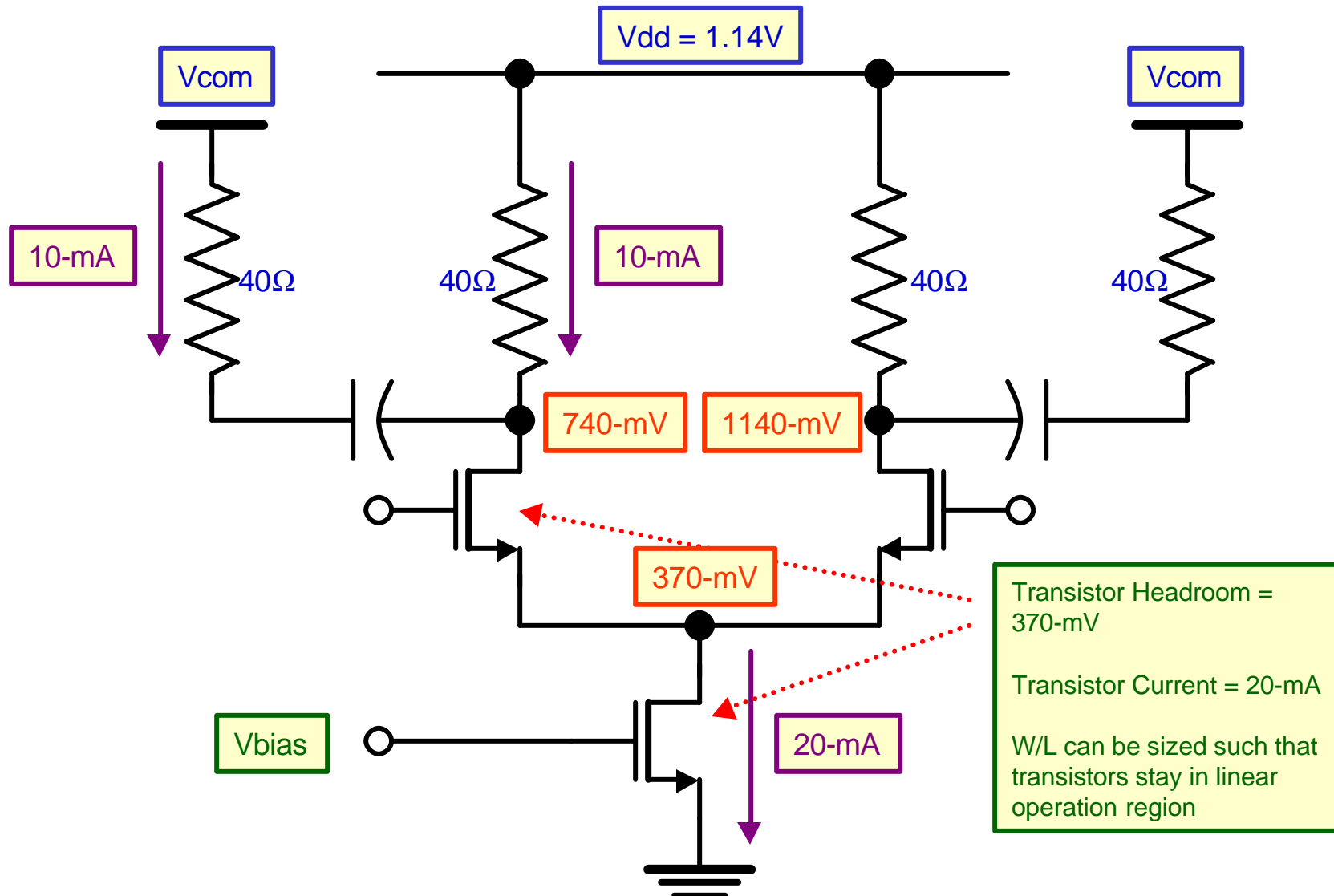
DC Bias Simple Class-A Output Driver



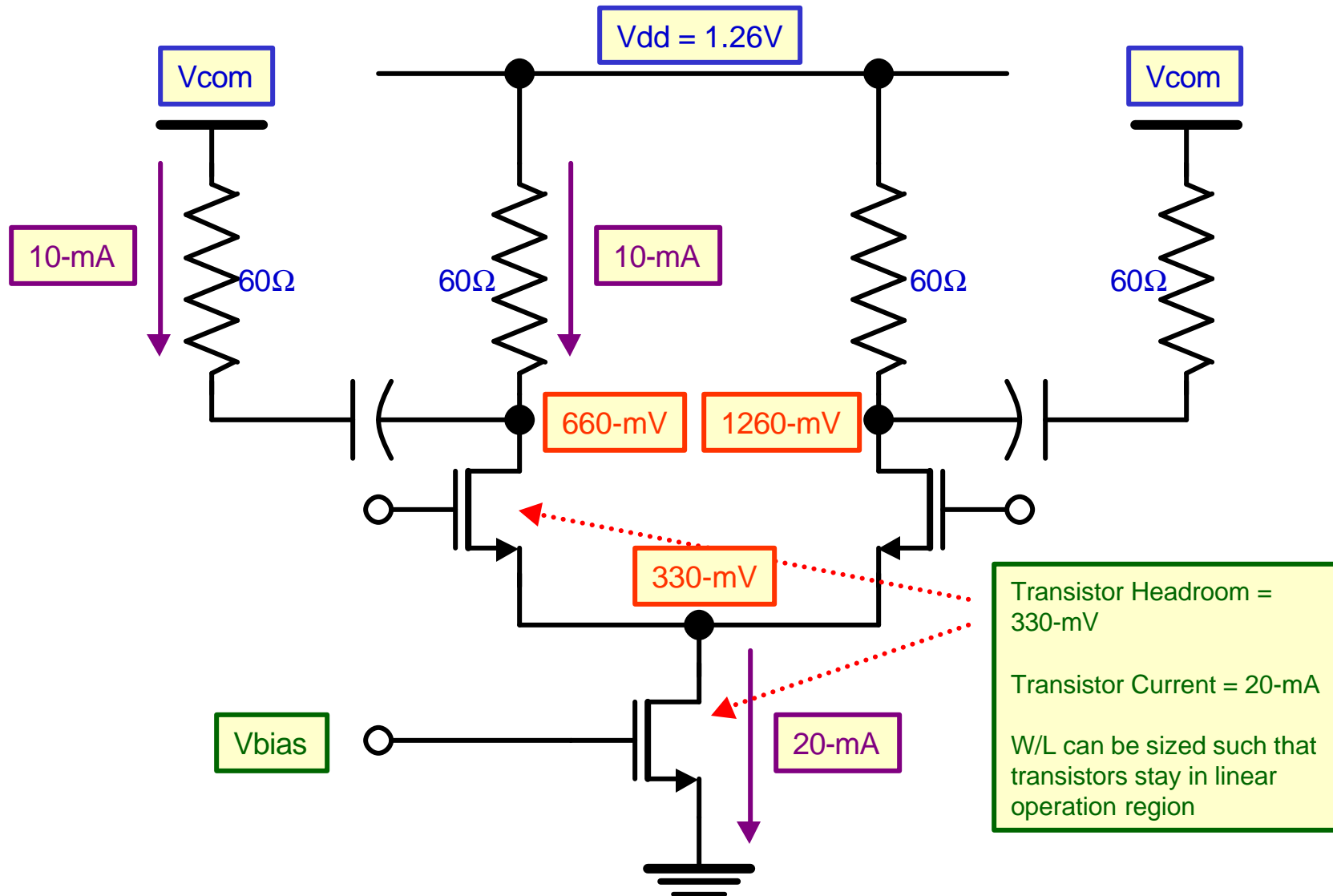
Headroom for Simple Class-A Output Driver



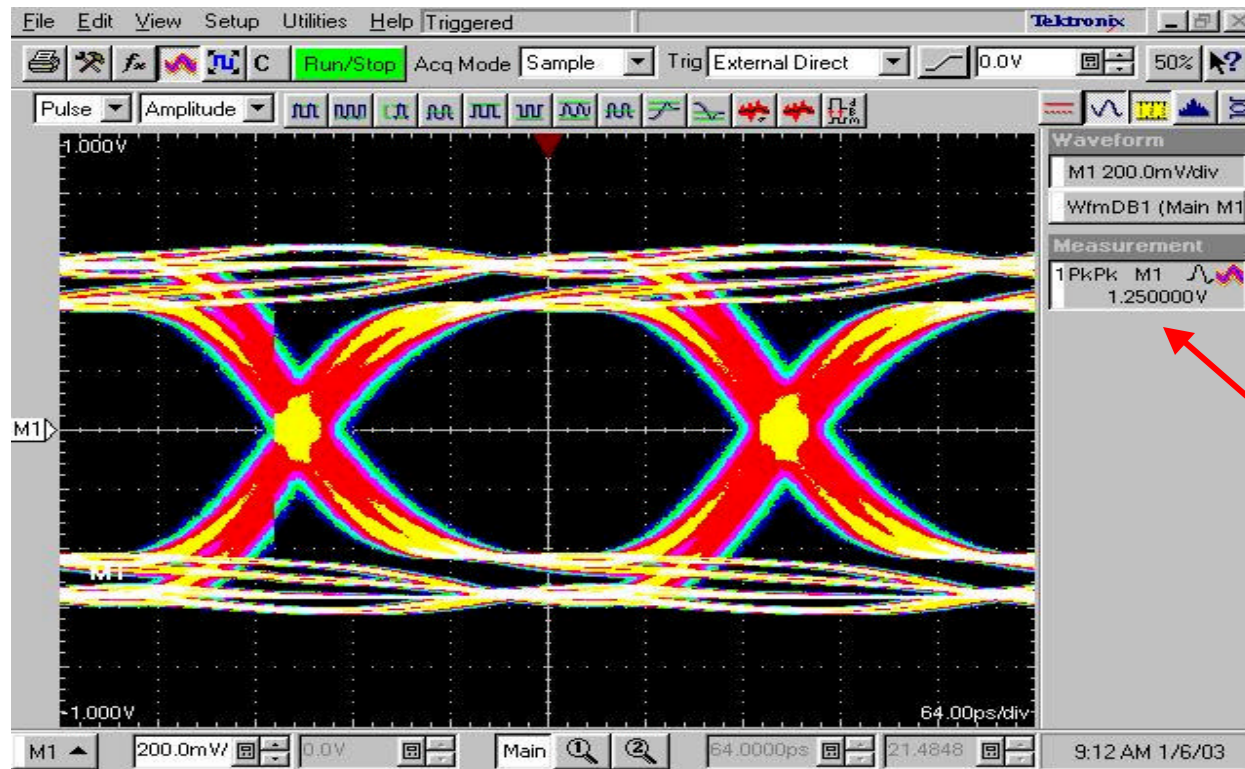
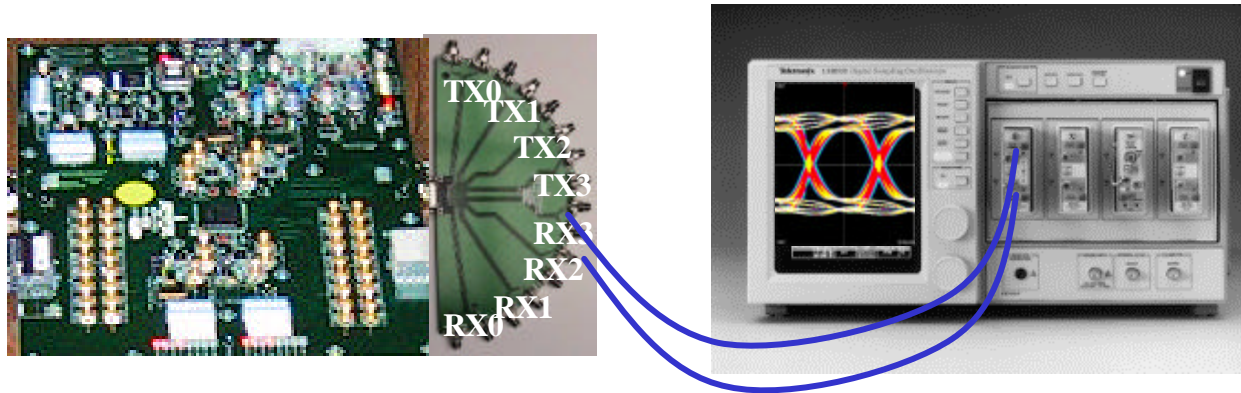
Worst Case for Simple Class-A Output Driver



Opposite Case for Simple Class-A Output Driver

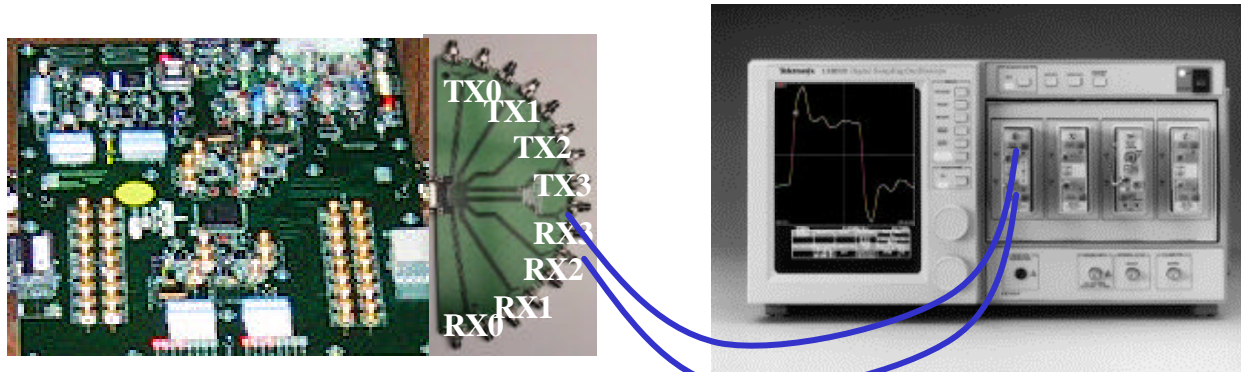


Signal Swing with 1.14-Volt Supply, ||||, no Emphasis



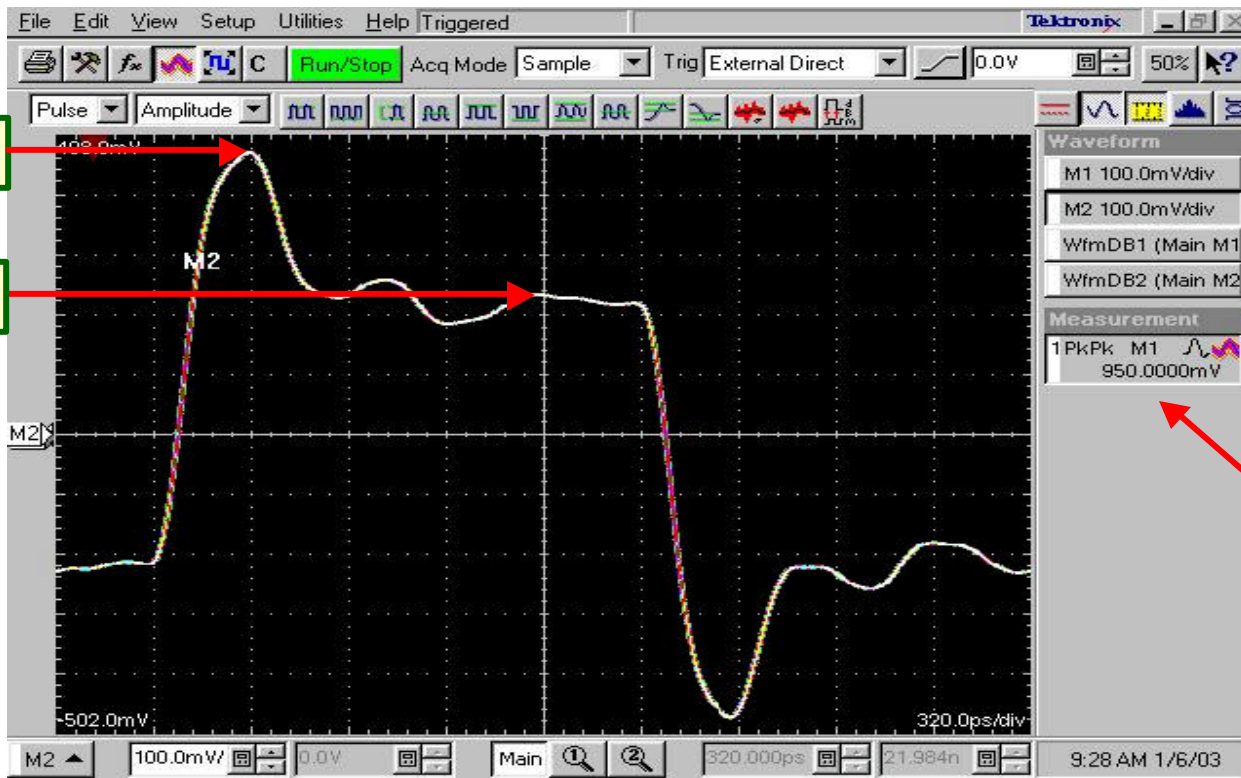
Vppd = 1.25V

LF Template with 1.14V Supply, 35% Emphasis



V_{high} = 475mV

V_{low} = 230mV



V_{ppd} = 950mV