

**WELCOME TO THE
OPENING SESSION OF
10GBASE-LRM**

15 – 17 MARCH 2005

Task Force Chair: David Cunningham

10GBASE-LRM MARCH 2005

- **IEEE802.3aq Officers**
- **Reflector and Web details**
- **Ground Rules & Standards Process**
- **10GBASE-LRM Objectives**
- **Project schedule**
- **Goals for this meeting**
- **Plan for this week**

IEEE 802.3aq Officers

- Task Force Chair: **David Cunningham**
- Editor: **Nick Weiner**
- Web Master: **Piers Dawe**

- Channel Ad hoc Chair: **Ian White**
 - Task 1 (OM1, OM2, OM3 & connectors) leader: **Richard Penty**
 - Task 2 (Time variation of channel & MN): **Jonathan King**
 - Task 3 (Input-output parameters) leader: **Lars Thon**
 - Task 4 (Launch & Mode Filtering) leader: **Yu Sun**
 - Task 5 (Validation) leader: **Nick Weiner**

- TP2 weekly call leader: **Tom Lindsay**
- TP3 weekly call leader: **Jim McVey**

REFLECTOR AND WEB

There is a reflector set up

To subscribe, use this URL:

- <http://ieee802.org/3/aq/reflector.html>

To subscribe via e-mail send this message

- [stds-802-3-10gmmf <yourfirstname> <yourlastname>
to ListServ@ieee.org](mailto:stds-802-3-10gmmf<yourfirstname><yourlastname>@ieee.org)

The IEEE 802 web page URL:

<http://ieee802.org/3>

10GBASE-LRM web page URL:

- <http://ieee802.org/3/aq>

MOBILE PHONES



**PLEASE SWITCH OFF
YOUR MOBILE
PHONES**

THANK YOU

GROUND RULES

802.3 TF Rules apply – Foundation based upon Robert's rules of order

- **Anyone in the room may speak**
- **Anyone in the room may vote**
- **Respect – give it, get it**
- **No product pitches**
- **No corporate pitches**
- **No prices – this includes costs, ASPs, etc. no matter what the Currency**
- **No restrictive notices**

IEEE-SA STANDARDS BOARD BYLAWS ON PATENTS IN STANDARDS

IEEE standards may include the known use of essential patents and patent applications provided the IEEE receives assurance from the patent holder or applicant with respect to patents whose infringement is, or in the case of patent applications, potential future infringement the applicant asserts will be, unavoidable in a compliant implementation of either mandatory or optional portions of the standard [essential patents]. This assurance shall be provided without coercion and prior to approval of the standard (or reaffirmation when a patent or patent application becomes known after initial approval of the standard). This assurance shall be a letter that is in the form of either:

- a) A general disclaimer to the effect that the patentee will not enforce any of its present or future patent(s) whose use would be required to implement either mandatory or optional portions of the proposed IEEE standard against any person or entity complying with the standard; or**
- b) A statement that a license for such implementation will be made available without compensation or under reasonable rates, with reasonable terms and conditions that are demonstrably free of any unfair discrimination.**

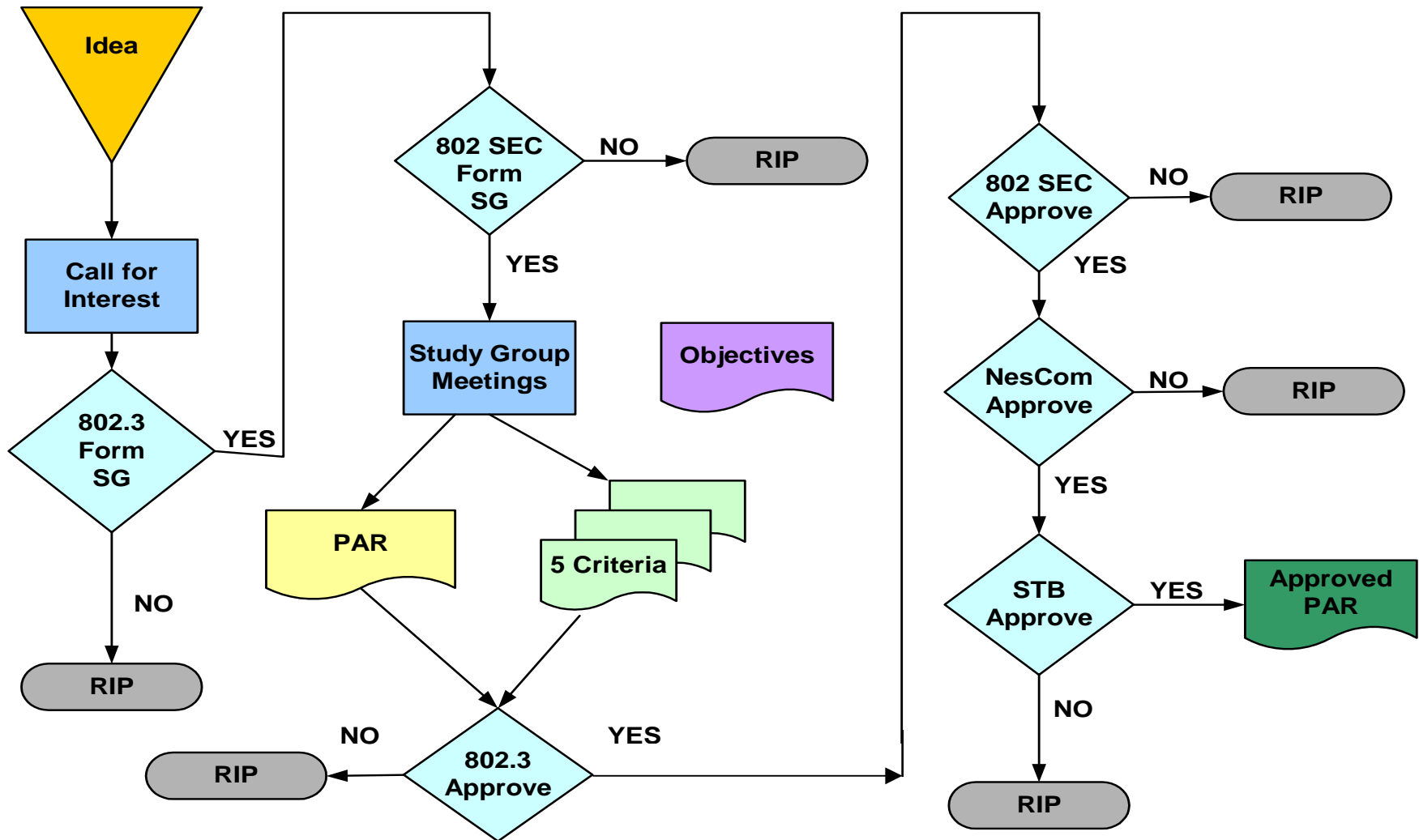
This assurance shall apply, at a minimum, from the date of the standard's approval to the date of the standard's withdrawal and is irrevocable during that period.

INAPPROPRIATE TOPICS FOR IEEE TASK FORCE MEETINGS

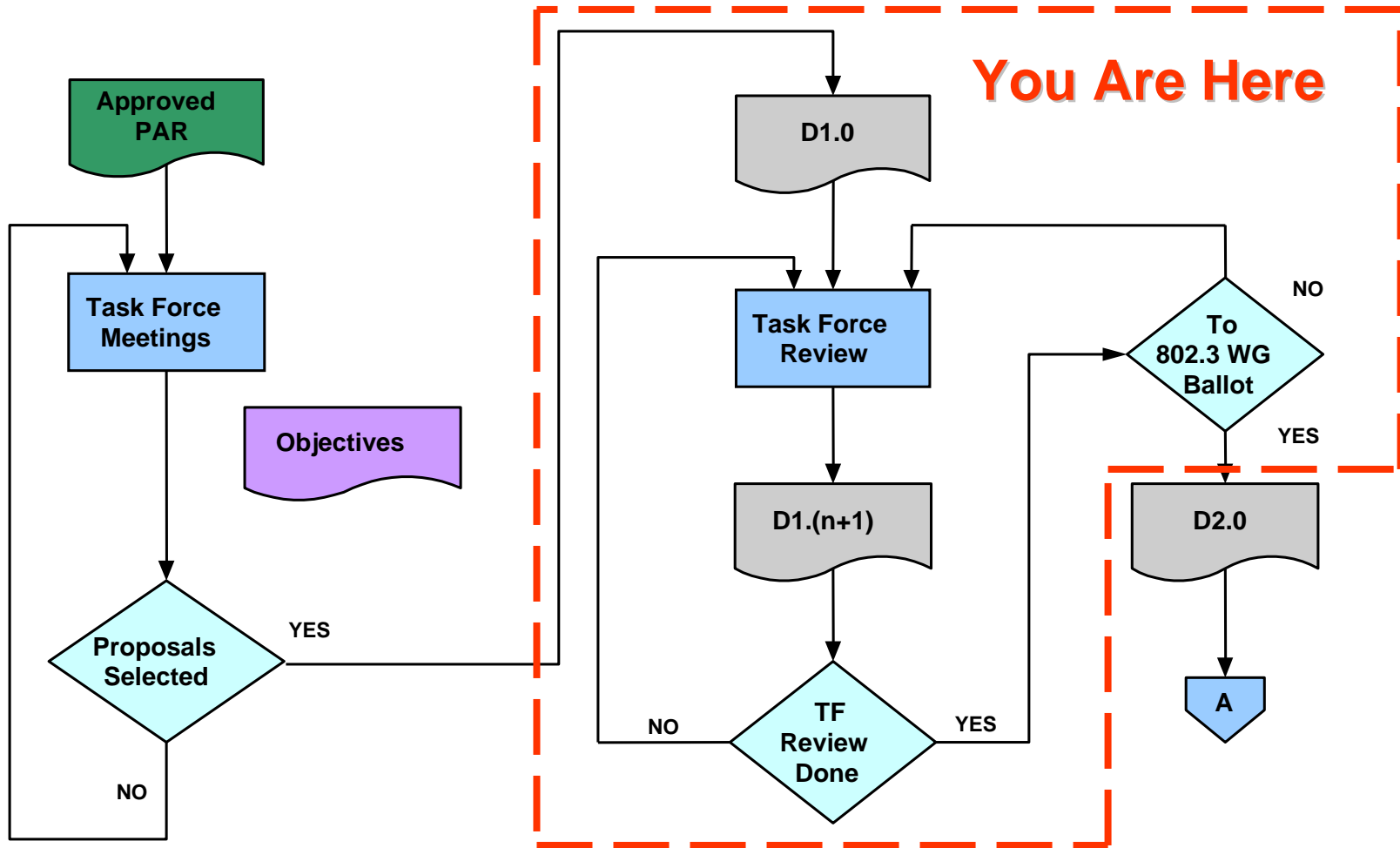
- Don't discuss licensing terms or conditions
- Don't discuss product pricing, territorial restrictions or market share
- Don't discuss ongoing litigation or threatened litigation
- Don't be silent if inappropriate topics are discussed - do formally object.

If you have questions, contact the IEEE-SA Standards Board Patent Committee Administrator at patcom@ieee.org or visit <http://standards.ieee.org/board/pat/index.html>

STUDY GROUP: IEEE STANDARDS PROCESS



TASK FORCE: IEEE STANDARDS PROCESS



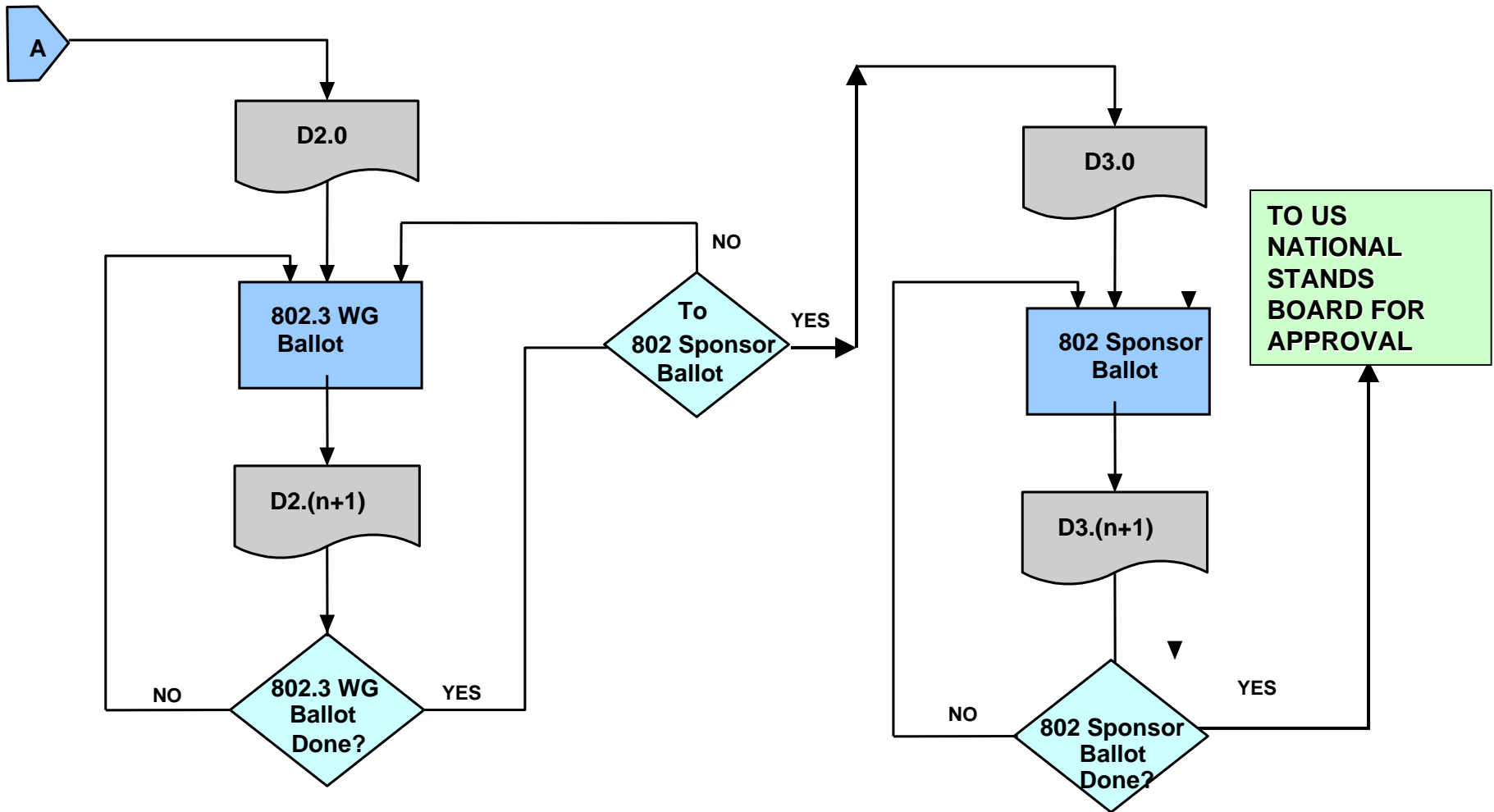
IEEE 802.3 REQUIREMENTS FOR WG BALLOT

“2.8.2 Draft Standard Balloting Requirements

Before a draft is submitted to WG letter ballot it shall in addition have met the following requirements:

- a) It must be complete with no open technical issues.
- b) It must be made available for pre-view by the membership by the Monday prior to the plenary week. **If any changes are made to the draft after the draft was made available for pre-view the textual changes shall be presented for review during the closing plenary immediately prior to the vote for approval to go to WG ballot.**
- c) It must be formatted according to the IEEE style selected by the WG Chair. This style will be selected to minimize the editorial work required for publication of the draft.
- d) It must be approved for submittal to WG ballot at the 802.3 WG closing plenary.”

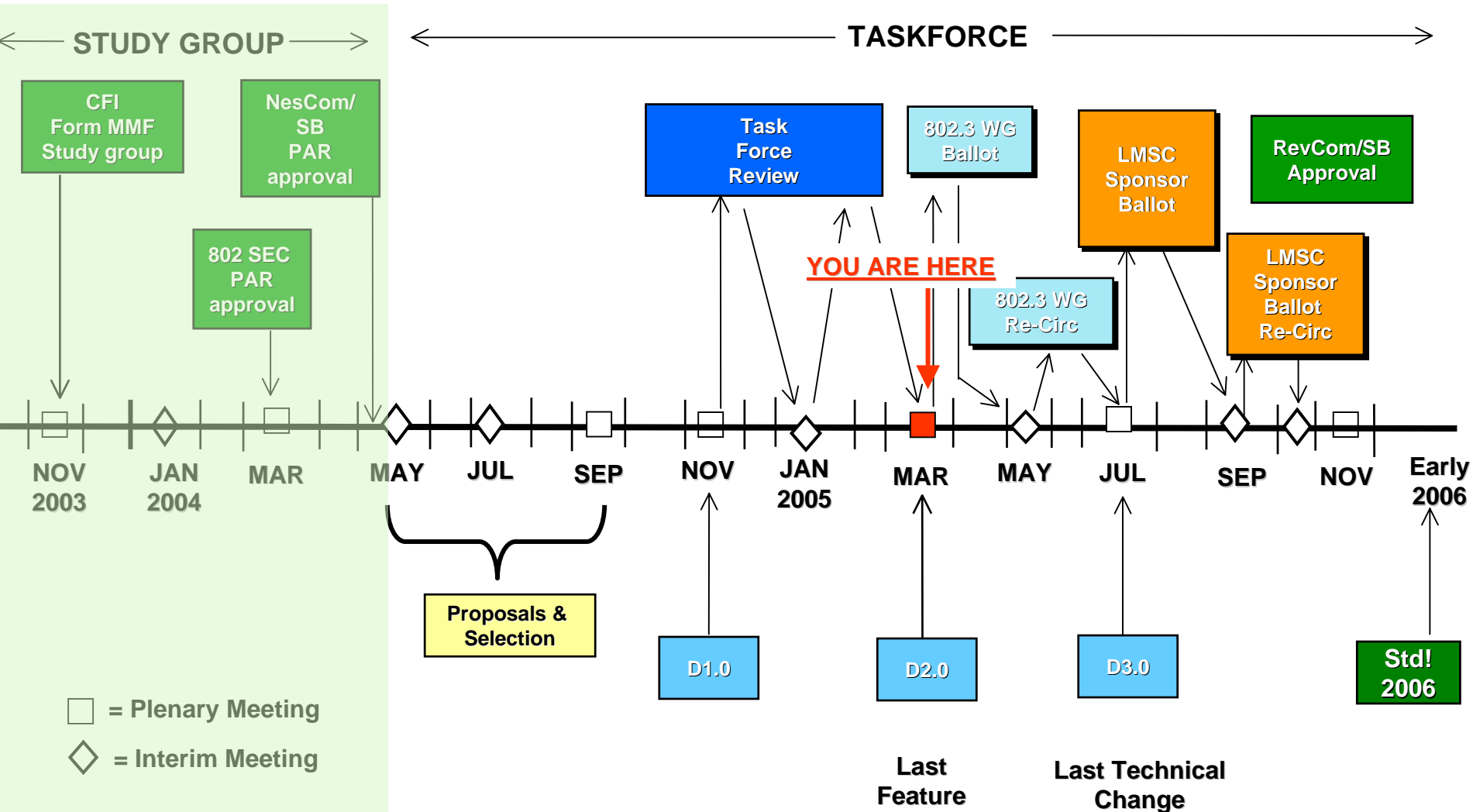
10GBASE-LRM TASK FORCE: IEEE STANDARDS PROCESS



OBJECTIVES

- **Use the existing 10GBASE-R PCS**
- **Support a BER of better than or equal to 10^{-12}**
- **Support fiber media selected from IEC 60793-2-10: 2003**
- 62.5 μ m
 - 160/500 MHz-km (A1b, 60793-2-10:2003)
 - 200/500 MHz-km (A1b, 60793-2-10:2003)
- 50 μ m
 - 500/500 MHz-km (A1a.1, 60793-2-10:2003)
 - 400/400 MHz-km (A1a.1, 60793-2-10:2003)
 - 1500/500 MHz-km (A1a.2, 60793-2-10:2003)
- **Provide a Physical Layer specification which supports link distances of:**
 - at least 220m on installed 500MHz.km multimode fiber
 - at least 300m on selected multimode fiber

10GBASE-LRM TIMELINE



GOALS FOR THIS MEETING

- **Comment review of draft D1.1.**
 - *Changes per properly submitted comments to D1.1.*
 - *Review incomplete (rejected) comments, understand any underlying issues and develop plans for resolution in Working Group Ballot.*
- **Adopt the amendments agreed during this meeting and prepare an updated complete draft (D1.2).**
- **At the Thursday IEEE 802.3 Plenary meeting show changes in D1.2 compared to D1.1 to IEEE 802.3.**
- **At the Thursday IEEE 802.3 Plenary meeting ask permission of IEEE 802.3 to conduct Working Group Ballot of D1.2(D2.0).**
- **If required, adopt amendments to fiber, link or channel models per associated supporting presentations.**

Proposed Agenda – 10GBASE-LRM

Tuesday 15 March 2005		10GBASE-LRM DRAFT AGENDA		
Presenter	Topic	Length (Minutes)	Start	Finish
David Cunningham	Opening Session	01:00:00	08:00	09:00
	Welcome and Introduction			
	Appoint Recording Secretary			
	Reflector and Web			
	Ground Rules			
	Approve Minutes (November and January)			
	Review of Project Timeline			
	Goals for the Meeting			
	Reports			
Nick Weiner	Editors Report	00:20:00	9:00 AM	9:20 AM
Tom Lindsay	Report from TP2 Calls	00:20:00	9:20 AM	9:40 AM
	Comment Review			
Nick Weiner	Comment Review: TR & 802.3 TR & T pre-view comments	00:20:00	9:40 AM	10:00 AM
	Break	00:20:00	10:00 AM	10:20 AM
Nick Weiner	Comment Review: TR & T	02:00:00	10:20 AM	12:20 PM
	Lunch	01:15:00	12:20 PM	1:35 PM
Nick Weiner	Comment Review: T	01:30:00	1:35 PM	3:05 PM
	Break	00:20:00	3:05 PM	3:25 PM
Nick Weiner	Comment Review: E if TR, T and 802.3 complete	02:05:00	3:25 PM	5:30 PM

Proposed Agenda – 10GBASE-LRM

10GBASE-LRM				
Wednesday 16 March 2005				
Presenter	Presentations	Length (Minutes)	Start	Finish
David Cunningham	Opening remarks	00:15:00	08:00	8:15 AM
Start of presentations will be delayed until all T's are resolved.				
If any T's remain open we will continue our comment review until they are resolved or have been withdrawn.				
Jim McVey	TP3 Stressed Receiver Test System	00:20:00	8:15 AM	8:35 AM
Aeneas Massara	Towards a Comprehensive Stressed Receiver Tester & TWDP.....	00:20:00	8:35 AM	8:55 AM
Peeters Weem	The TWDP Test Applied to 10GBASE-LR Optics	00:20:00	8:55 AM	9:15 AM
John Abbott	Analysis of 1998-99 FDDI Fibers for PIE-D and DMD BW	00:20:00	9:15 AM	9:35 AM
John Abbott	Essential Changes to Monte Carlo Model	00:20:00	9:35 AM	9:55 AM
Break		00:20:00	9:55 AM	10:15 AM
Stephen Ralph	Finite Equalizer Performance for TP3 Stressed Sensitivity Test on Gen67YY	00:20:00	10:15 AM	10:35 AM
John Ewen	TP3 ISI Parameter Selection Methodology	00:20:00	10:35 AM	10:55 AM
Piers Dawe	How Many Connections for 10GBASE-LRM	00:20:00	10:55 AM	11:15 AM
Sudeep Bhoja	10GBASE-LRM Interoperability and Technical Feasibility Report	00:20:00	11:15 AM	11:35 AM
Lunch		01:15:00	11:35 AM	12:50 PM
Rejected Comments & #146: Discussion & Action Plan				
Subject	Comment number			
Clarification of Table 44-4	5	00:05:00	12:50 PM	12:55 PM
Average Receive Power	62	00:05:00	12:55 PM	1:00 PM
Signal Detect	19	00:05:00	1:00 PM	1:05 PM
BER Specification and Test	26, 33, 70	00:15:00	1:05 PM	1:20 PM
Noise (RIN OMA etc)	34	00:05:00	1:20 PM	1:25 PM
RMS Spectral Width	38	00:05:00	1:25 PM	1:30 PM
Jitter	108	00:05:00	1:30 PM	1:35 PM
Eye Mask Related	63, 66	00:10:00	1:35 PM	1:45 PM
TWDP	40, 67, 90, 92, 94, 97, 154 & 146	00:30:00	1:45 PM	2:15 PM
Dual Launch Strategy	22, 23, 31, 42	00:20:00	2:15 PM	2:35 PM
Comprehensive Stress Test	51, 71	00:10:00	2:35 PM	2:45 PM
Break		00:20:00	2:45 PM	3:05 PM
ISI Stressors	9, 10, 11, 12, 20, 52, 53, 54, 55, 113, 114, 115, 118, 130, 150	00:30:00	3:05 PM	3:35 PM
Time Variation of Channel and Adaptation	49	00:05:00	3:35 PM	3:40 PM
Test Procedure Validation	56	00:05:00	3:40 PM	3:45 PM
Power Budget and Simple Sensitivity	35, 51	00:10:00	3:45 PM	3:55 PM
Percentile Coverage at Operating Range	7, 160	00:05:00	3:55 PM	4:00 PM
Inter-operation demonstration	1	00:05:00	4:00 PM	4:05 PM
Comment Review				
Nick Weiner	Comment Review: Review marked up draft and some E's?	01:55:00	4:05 PM	6:00 PM

Proposed Agenda – 10GBASE-LRM

10GBASE-LRM				
Thursday 17 March 2005				
Presenter	Presentations	Length (Minutes)	Start	Finish
David Cunningham	Closing Session	00:30:00	08:00	08:30
	Reflector and Web			
	Ground Rules			
	Review of Project Timeline			
Nick Weiner	Editors Report	00:30:00	8:30 AM	9:00 AM
	Motions to accept D1.2 & direct Chair to ask permission for WG ballot of D1.2	00:30:00	9:00 AM	9:30 AM
	A.O.B.	01:00:00	9:30 AM	10:30 AM
	End of Meeting	00:00:00	10:30 AM	10:30 AM