

IEEE P802.3ba 40Gb/s and 100Gb/s Ethernet Task Force

Chief Editor's Closing Report

Ilango Ganga, Intel
Editor-in-Chief, IEEE P802.3ba Task Force

Jan 28, 2009

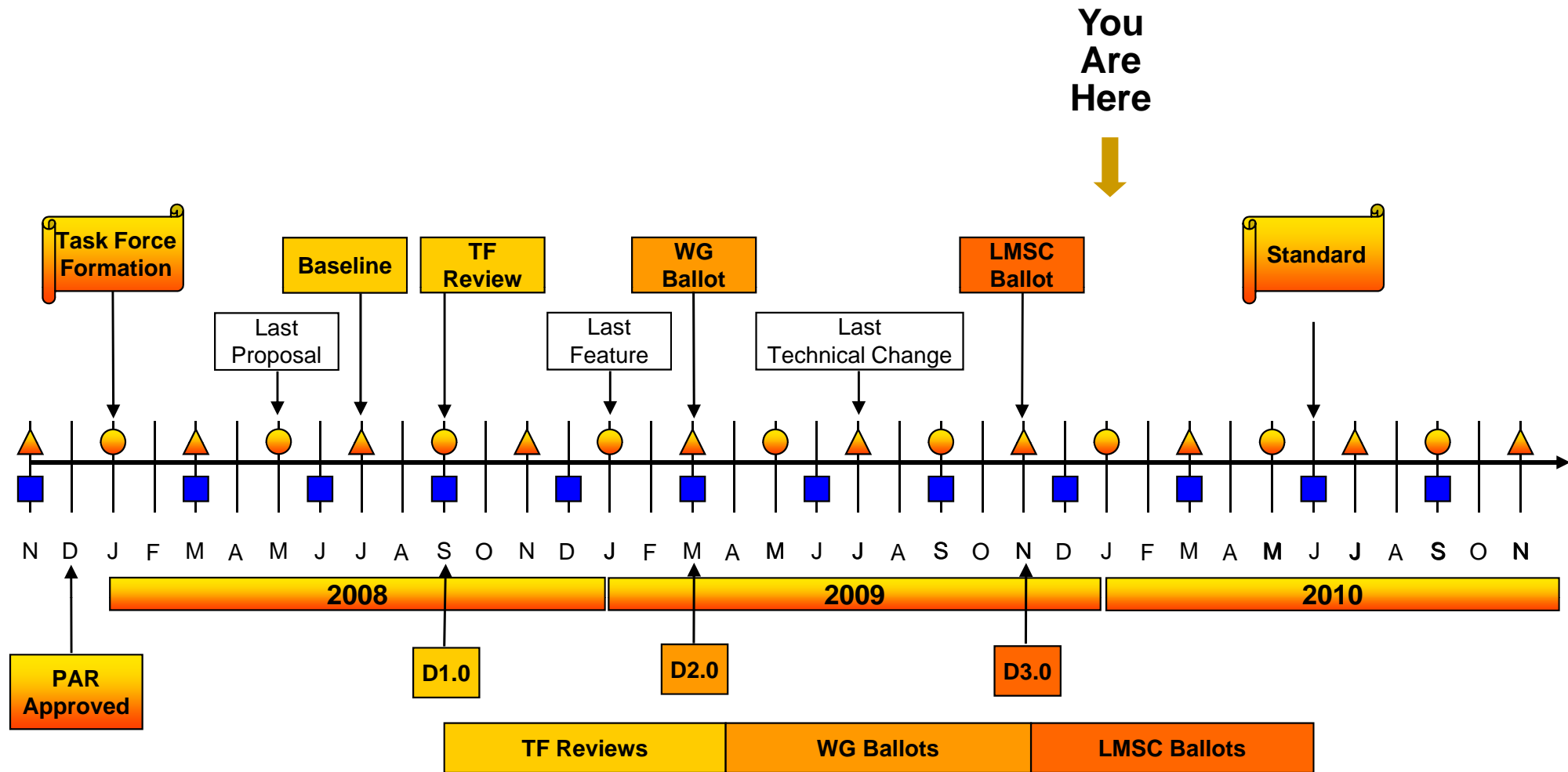


Progress at the meeting

Achieved the meeting goals

- Resolved/responded to comments received on D3.0
 - Reviewed all T(402), TR (187), ERs (49), GR (1), G (7) in the meeting
 - TRs, ERs, GRs need signoff from commenters
 - Reviewed 21 out of 255 Es in the meeting, the rest of the editorial comments (E) will be closed by the Editorial team as per proposed responses recorded in the database.
- Request to generate D3.1, for Sponsor recirculation ballot, based on D3.0 and recorded comments in the database
- Thanks to the Task Force, Editorial team, volunteers and contributors for your efforts in reviewing and resolving the comments during the meeting

IEEE P802.3ba Task Force Timeline



* Adopted by IEEE P802.3ba TF at March 08 Plenary

Legend	
▲	IEEE 802 Plenary
●	IEEE 802.3 Interim
■	IEEE-SA Standards Board



Proposed schedule

Proposed P802.3ba Sponsor ballot schedule

SI.#	Description	Date	Day	# of business days	# of calendar days	Status/Remarks
	Sponsor ballot					
	Initial Sponsor ballot D3.0 - Opens	23-Nov	Mon			
	Initial Sponsor ballot D3.0 - Closes	23-Dec	Wed		30	30 day electronic ballot
	Jan interim meeting (Jan 25 to Jan 28)	28-Jan	Thu			
	D3.1 Draft ready	11-Feb	Thu	10		2 wks to draft complete
	First Sponsor ballot recirculation D3.1 - Opens	18-Feb	Thu	5		
	First Sponsor ballot recirculation D3.1 - Closes	5-Mar	Fri		15	15 day recirculation
	Proposed response posted	12-Mar	Fri	5		
	Mar Plenary meeting (Mar 15 to Mar 18)	18-Mar	Thu			30 day notice for April meeting, Request conditional approval from WG
	D3.2 Draft Ready	25-Mar	Thu	5		
	Second Sponsor ballot recirculation D3.2 - Opens	1-Apr	Thu	5		
	Second Sponsor ballot recirculation D3.2 - Closes	16-Apr	Fri		15	10 day recirculation
	Proposed response posted	19-Apr	Mon	1		
	Half day April interim meeting (Apr 20th)	20-Apr	Tue			
	RevCom submittal	7-May	Fri			Revcom submittal on May 7th
	Jun SASB meeting	17-Jun	Thu			SASB meeting Jun 17 2010
	Final ratification	17-Jun	Thu			



Summary

- Resolved/responded to comments received on D3.0
- Request to generate D3.1, for Sponsor recirculation ballot, based on D3.0 and recorded comments in the database