




# IEEE P802.3ba 40Gb/s and 100Gb/s Ethernet

## Closing Plenary Report

Vancouver, BC Canada  
Mar 2009

John D'Ambrosia  
jdambrosia@ieee.org



# IEEE P802.3ba Task Force Officers and Editors

<a href="#"><u>John D'Ambrosia</u></a>	Task Force Chair
<a href="#"><u>Ilango Ganga</u></a>	Task Force Chief Editor Editor – Clauses 1, 4, 80, Annexes A, 4A
<a href="#"><u>Mark Gustlin</u></a>	Chair, “Logic” Sub-task Force Editor – Clauses 81, 82
<a href="#"><u>Chris DiMinico</u></a>	Chair, “Cu” Sub-task Force Editor – Clause 85
<a href="#"><u>Pete Anslow</u></a>	Chair, “Optical” Sub-task Force Editor – Clause 88
<a href="#"><u>Hugh Barrass</u></a>	Editor – Clauses 30, 45
<a href="#"><u>Jonathan King</u></a>	Editor – Clause 87
<a href="#"><u>Arthur Marris</u></a>	Editor – Clauses 69, 73, 74, 84, Annexes 69A, 69B
<a href="#"><u>Steve Trowbridge</u></a>	Editor – Clause 83, Annex 83C
<a href="#"><u>Ryan Latchman</u></a>	Editor – Annex 83A, 83B Chair, “nAUI” Ad Hoc
<a href="#"><u>Piers Dawe</u></a>	Editor – Clause 86 Chair – “Statistical Eye” Ad Hoc
<a href="#"><u>Alessandro Barbieri</u></a>	Co-chair – Extended Reach Parallel MMF Ad Hoc
<a href="#"><u>John Petrilla</u></a>	Co-chair - Extended Reach Parallel MMF Ad Hoc
<a href="#"><u>George Oulundsen</u></a>	Task Force Secretary
<a href="#"><u>Frank Chang</u></a>	Task Force Web Master

# Reflector and Web

- To subscribe to the IEEE P802.3ba Task Force reflector, send an email to:

***ListServ@ieee.org***

with the following in the body of the message (do not include “<>”):

***subscribe stds-802-3-hssg <yourfirstname> <yourlastname>  
end***

- Send IEEE P802.3ba Task Force reflector messages to:

***STDS-802-3-HSSG@listserv.ieee.org***

- Task Force web page URL:

***http://www.ieee802.org/3/ba/***

# IEEE P802.3ba Private Area

- URL: <http://www.ieee802.org/3/ba/private/>
  - Username: 802.3ba
  - Password: xxxxxxx
  - Password is case sensitive
- Write it down...
- Note - The draft is posted for your review only, and neither the draft nor access information should be copied or redistributed to others in violation of document copyrights.

# Task Force Approved Project Documents

## ■ PAR

- [http://ieee802.org/3/ba/PAR/par\\_0308.pdf](http://ieee802.org/3/ba/PAR/par_0308.pdf)

## ■ 5 Criteria (pending IEEE 802 EC Approval)

- [http://ieee802.org/3/ba/PAR/P802.3ba\\_5C\\_0308.pdf](http://ieee802.org/3/ba/PAR/P802.3ba_5C_0308.pdf)

## ■ Objectives

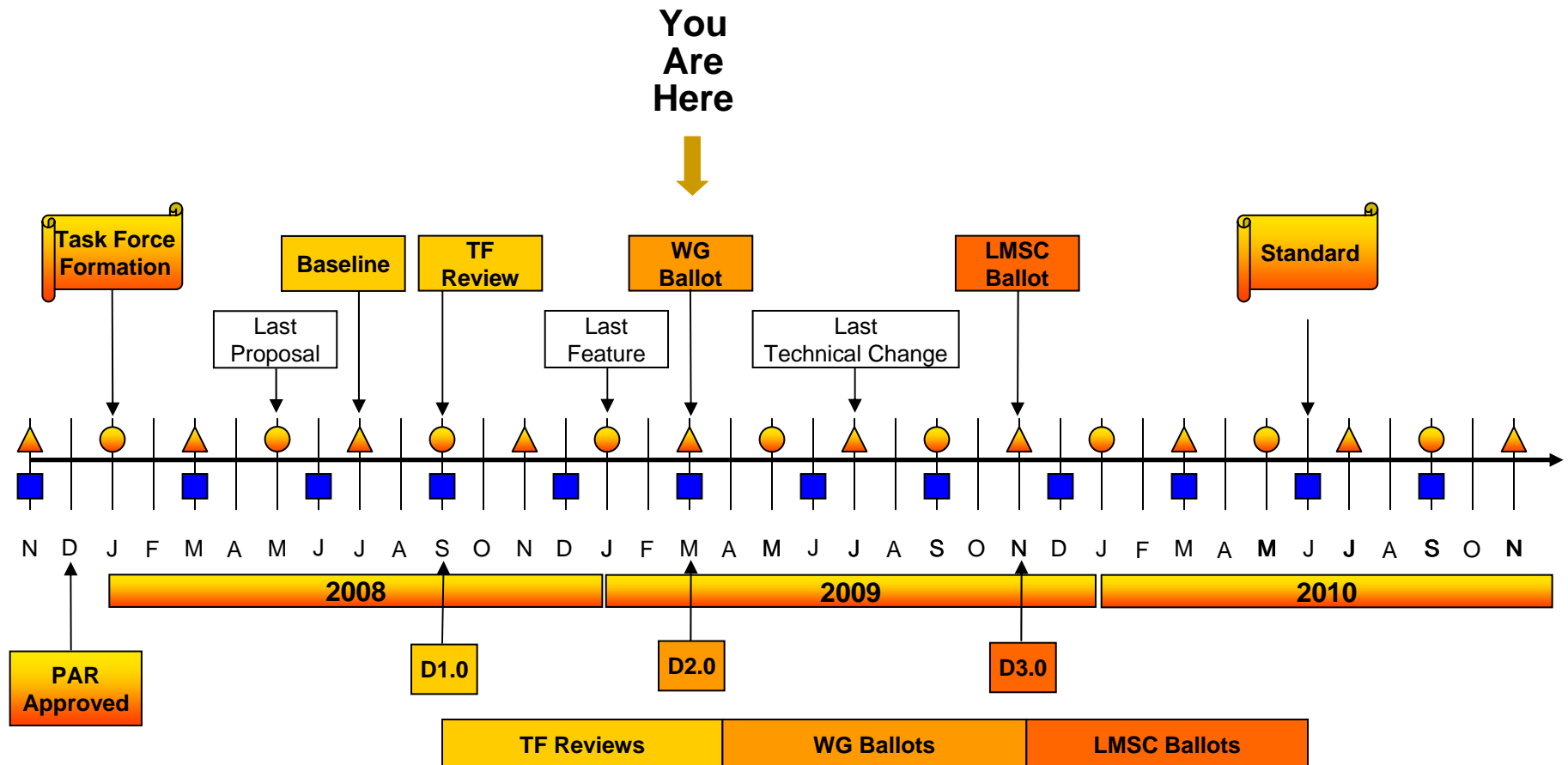
- [http://ieee802.org/3/ba/PAR/P802.3ba\\_Objectives\\_0308.pdf](http://ieee802.org/3/ba/PAR/P802.3ba_Objectives_0308.pdf)

# Task Force Objectives

- Support full-duplex operation only
- Preserve the 802.3 / Ethernet frame format utilizing the 802.3 MAC
- Preserve minimum and maximum FrameSize of current 802.3 standard
- Support a BER better than or equal to 10<sup>-12</sup> at the MAC/PLS service interface
- Provide appropriate support for OTN
- Support a MAC data rate of 40 Gb/s
- Provide Physical Layer specifications which support 40 Gb/s operation over:
  - at least 10km on SMF
  - at least 100m on OM3 MMF
  - at least 10m over a copper cable assembly
  - at least 1m over a backplane
- Support a MAC data rate of 100 Gb/s
- Provide Physical Layer specifications which support 100 Gb/s operation over:
  - at least 40km on SMF
  - at least 10km on SMF
  - at least 100m on OM3 MMF
  - at least 10m over a copper cable assembly

Adopted by IEEE P802.3ba and approved by 802.3 at Mar 2008 Plenary

# IEEE P802.3ba Task Force Timeline



\* Adopted by IEEE P802.3ba TF at March 08 Plenary

Legend	
▲	IEEE 802 Plenary
●	IEEE 802.3 Interim
■	IEEE-SA Standards Board

# Comments Received Against D1.2

Description	Clause	Editor	T/TRs	E/ERs	Total
Front matter, MAC, 40G & 100G Intro	00, 01, A, 4, 4A, 80, 99	Ilango Ganga	1	0	1
Management	30, 45	Hugh Barrass	2	0	2
RS/MII and PCS	81, 82	Mark Gustlin	6	0	6
PMA	83, 83C	Steve Trowbridge	4	0	4
XLAUI/CAUI	83A	Ryan Latchman	20	15	35
XLAUI/CAUI module	83B	Ryan Latchman	18	0	18
Backplane KR4 related	69, 69A, 69B, 73, 74, 84	Arthur Marris	2	0	2
Copper CR4 & CR10	85	Chris Di Minico	27	6	33
Optical SR4 & SR10	86	Piers Dawe	17	8	25
Optical 40G LR4	87	Jonathan King	2	5	7
Optical 100G LR4 & ER4	88	Pete Anslow	5	2	7
<b>Total comments</b>			<b>104</b>	<b>36</b>	<b>140</b>

\* Comments received on the clauses/annexes highlighted in blue



# Accomplishments for the Week (1 of 2)

- Completed comment resolution
  - We resolved all 140 comments received on D1.2
  - 6 technical presentations
    - 5 presentations in support of comments
    - 1 presentation exploring ideas for test procedure / Informative XR MMF Reach
- Informal Communications
  - ITU-T SG15: Communication of latest draft
  - ISO/IEC JTC 1/SC 25/WG 3, Document #N 882A: Update of status in IEEE P802.3ba related to XR MMF
- Generation, Review, and Approval Draft 2.0
  - Motion #3: Approve Draft 2.0, based on Draft 1.2 and all resolved comments as recorded in “p8023ba-D12\_Finala\_Responses\_byClause.pdf”.
  - Results: All (y/n/a): 71 / 0 / 1

## Accomplishments for the Week (2 of 2)

- Approval to request Working Group Ballot:
  - Motion #4: Move that the Task Force request that 802.3 circulate IEEE P802.3ba Draft 2.0 for a 35 day 802.3 Working Group Ballot and comment, and conduct recirculations as necessary.
  - Results: All (y/n/a): 73 / 0 / 0

# Working Group Motion

- Request that 802.3 circulate IEEE P802.3ba Draft 2.0 for a 35 day 802.3 Working Group Ballot and comment, and conduct recirculations as necessary.
- Moved by John D'Ambrosia on behalf of the Task Force
- Technical Motion (=> 75%)
- Results
- 802.3:                    Y:                    N:                    A:
- **Motion**

# Next Step

- Comment Response to WG Ballot on Draft 2.0

# Future Meetings

- Future Meeting information at:
  - <http://ieee802.org/3/interims/index.html>
  
- May 2009 IEEE 802.3 Interim
  - To be announced
  
- July 2009 IEEE 802 Plenary
  - July 12 – 17
  - Hyatt Regency San Francisco at Embarcadero Center
  - San Francisco, CA, USA



Thank You!

