




IEEE P802.3ba 40Gb/s and 100Gb/s Ethernet

Closing Plenary Report

Orlando FL, USA
Mar 2010

John D'Ambrosia
jdambrosia@ieee.org



IEEE P802.3ba Task Force Officers and Editors

<u>John D'Ambrosia</u>	Task Force Chair
<u>Ilango Ganga</u>	Task Force Chief Editor Editor – Clauses 1, 4, 80, Annexes A, 4A
<u>Mark Gustlin</u>	Chair, “Logic” Sub-task Force Editor – Clauses 81, 82
<u>Chris DiMinico</u>	Chair, “Cu” Sub-task Force Editor – Clause 85
<u>Pete Anslow</u>	Chair, “Optical” Sub-task Force Editor – Clause 88
<u>Hugh Barrass</u>	Editor – Clauses 30, 45
<u>Jonathan King</u>	Editor – Clause 87
<u>Arthur Marris</u>	Editor – Clauses 69, 73, 74, 84, Annexes 69A, 69B
<u>Steve Trowbridge</u>	Editor – Clause 83, Annex 83C
<u>Ryan Latchman</u>	Editor – Annex 83A, 83B
<u>Piers Dawe</u>	Editor – Clause 86, 52
<u>George Oulundsen</u>	Task Force Secretary
<u>Frank Chang</u>	Task Force Web Master

Reflector and Web

- To subscribe to the IEEE P802.3ba Task Force reflector, send an email to:

ListServ@ieee.org

with the following in the body of the message (do not include “<>”):

***subscribe stds-802-3-hssg <yourfirstname> <yourlastname>
end***

- Send IEEE P802.3ba Task Force reflector messages to:

STDS-802-3-HSSG@listserv.ieee.org

- Task Force web page URL:

http://www.ieee802.org/3/ba/

IEEE P802.3ba Private Area

- URL: <http://www.ieee802.org/3/ba/private/>
 - Username: 802.3ba
 - Password: xxxxxxxx
 - Password is case sensitive

- Note - The draft is posted for your review only, and neither the draft nor access information should be copied or redistributed to others in violation of document copyrights.

Task Force Approved Project Documents

■ PAR

- http://ieee802.org/3/ba/PAR/par_0308.pdf

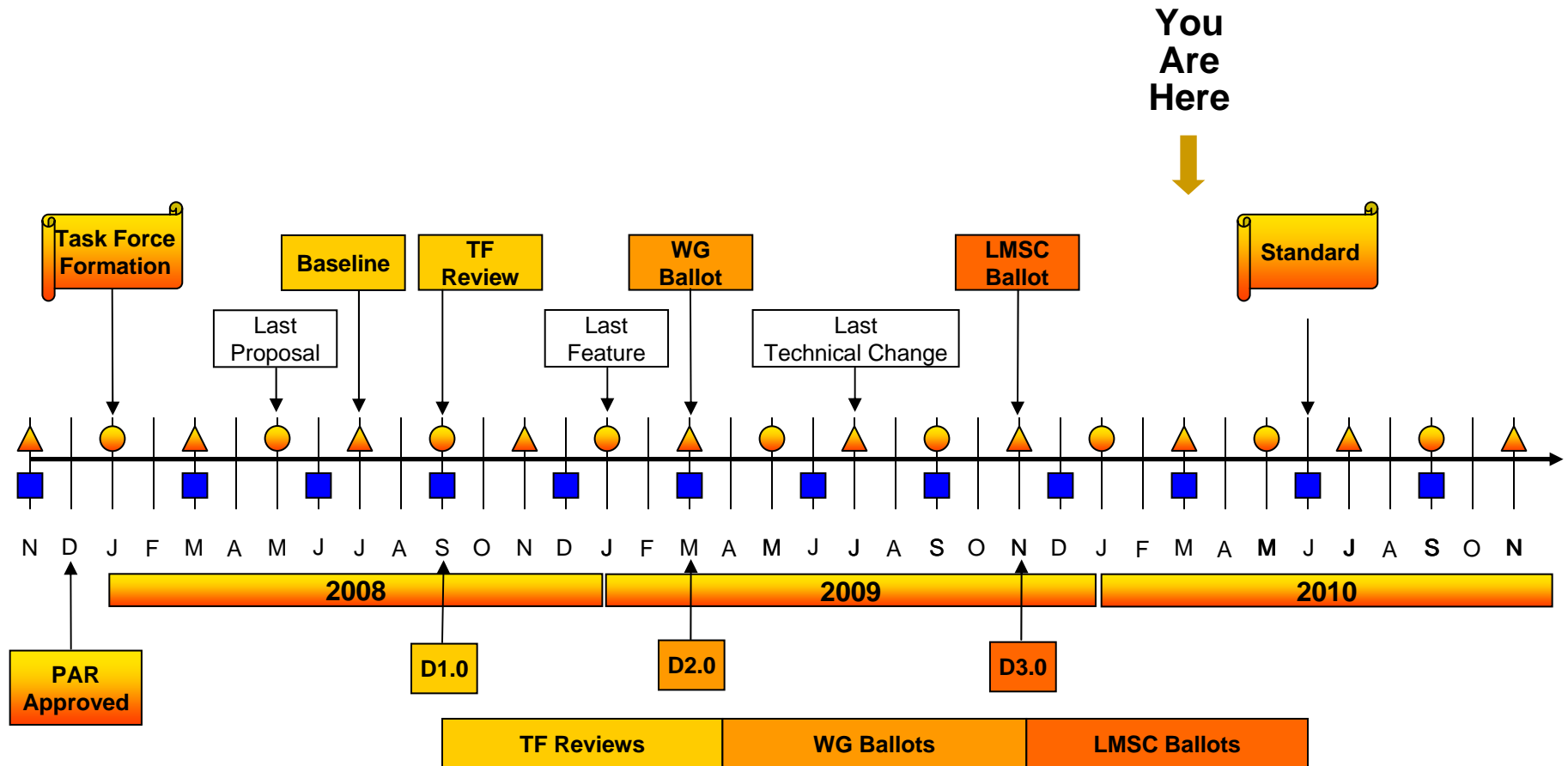
■ 5 Criteria

http://ieee802.org/3/ba/PAR/P802.3ba_5C_0908.pdf

■ Objectives

- http://ieee802.org/3/ba/PAR/P802.3ba_Objectives_0709.pdf

IEEE P802.3ba Task Force Timeline



* Adopted by IEEE P802.3ba TF at March 08 Plenary

Legend	
▲	IEEE 802 Plenary
●	IEEE 802.3 Interim
■	IEEE-SA Standards Board

This Week's Progress

- Resolved / responded to all 200 comments received on D3.1
 - 71 TR / 46 T / 23 ER / 59 E / 1 GR
- Requested conditional approval for submission to RevCom
- Considered liaisons
 - OIF –
 - OIF Liaison Response Ad Hoc met
 - Recommended course of action
 - Form ad hoc to review oif2010.092.03 in greater detail
 - Proposed initial response - See dambrosia_01a_0310.pdf.
 - TF Motion to approve dambrosia_01a_0310.pdf as liaison document to the OIF. Results: Approved by voice vote without opposition
 - ISO/IEC JTC 1/SC 25/WG 3 to IEEE 802.3
 - Recommended course of action
 - Response needed by October 2010
 - Form ad hoc to review in greater detail
 - INCITS T11.2 Activities Report

Task Force Motions

■ Motion #2:

- Move that the Task Force:
 - Accept comment resolutions from D3.1 as recorded in the comment database.
 - Directs the IEEE P802.3ba editorial team to generate Draft 3.2, based on Draft 3.1 and the resolution of comments against Draft 3.1.
- Results All (Y/N/A) – 69 / 0 / 0

■ Motion #3:

- Move that the Task Force:
 - Request the Working Group Chair submit IEEE P802.3ba for conditional approval to RevCom.
- • Results All (Y/N/A) – 68 / 0 / 0

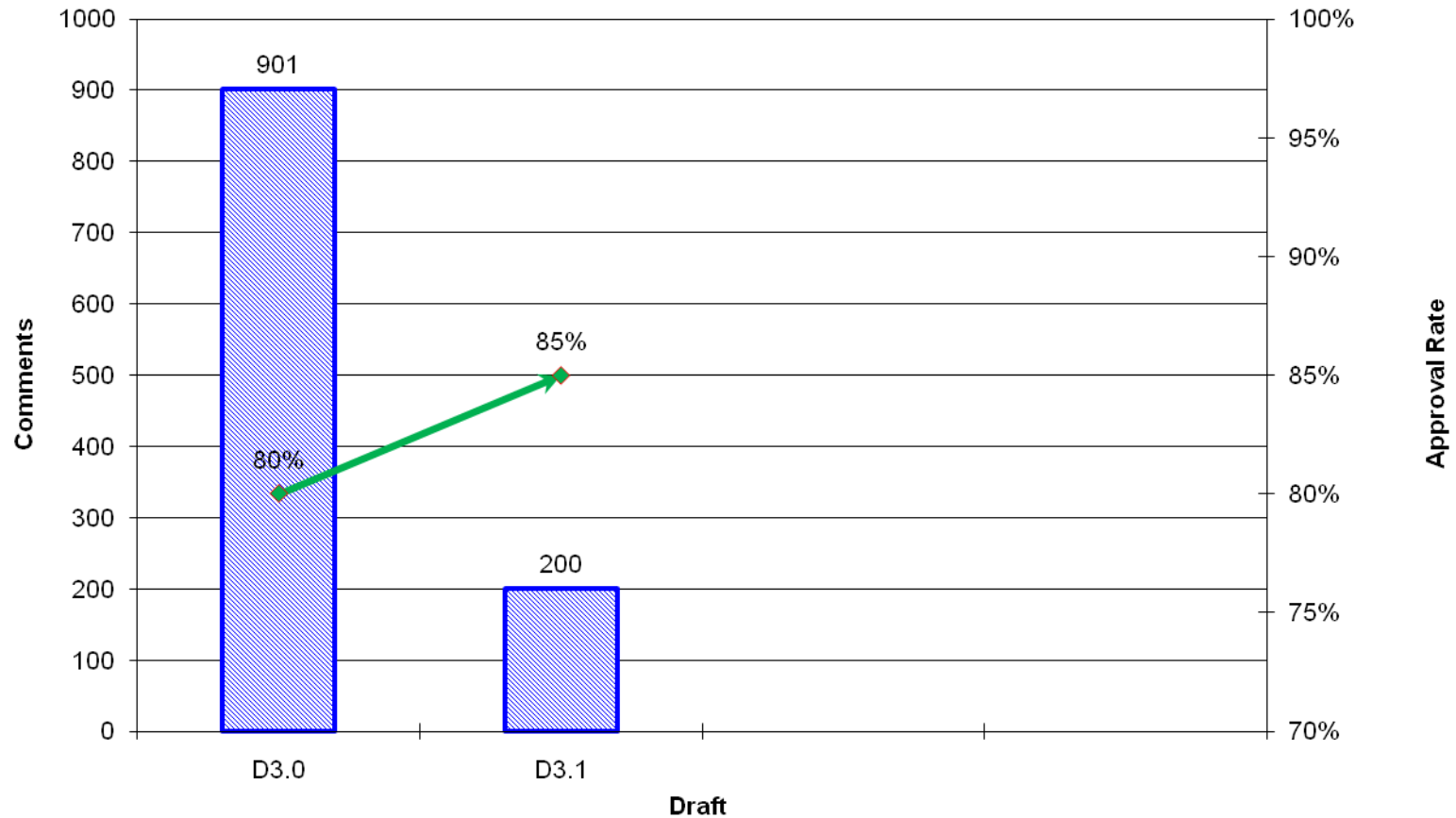
Sponsor Ballot Summary

	D3.0 Initial Sponsor ballot	D3.1 First Sponsor ballot recirc
Voters	143	143
Approve	89	97
Disapprove	21	17*
Disapprove w/o comment	0	0
Abstain	6	6
Returns	116	120
Response rate	81%	83%
Abstention rate	5%	5%
Approval rate	80%	85%

Ballot met required response rate $\geq 75\%$, abstention rate $< 30\%$, and approval rate $\geq 75\%$

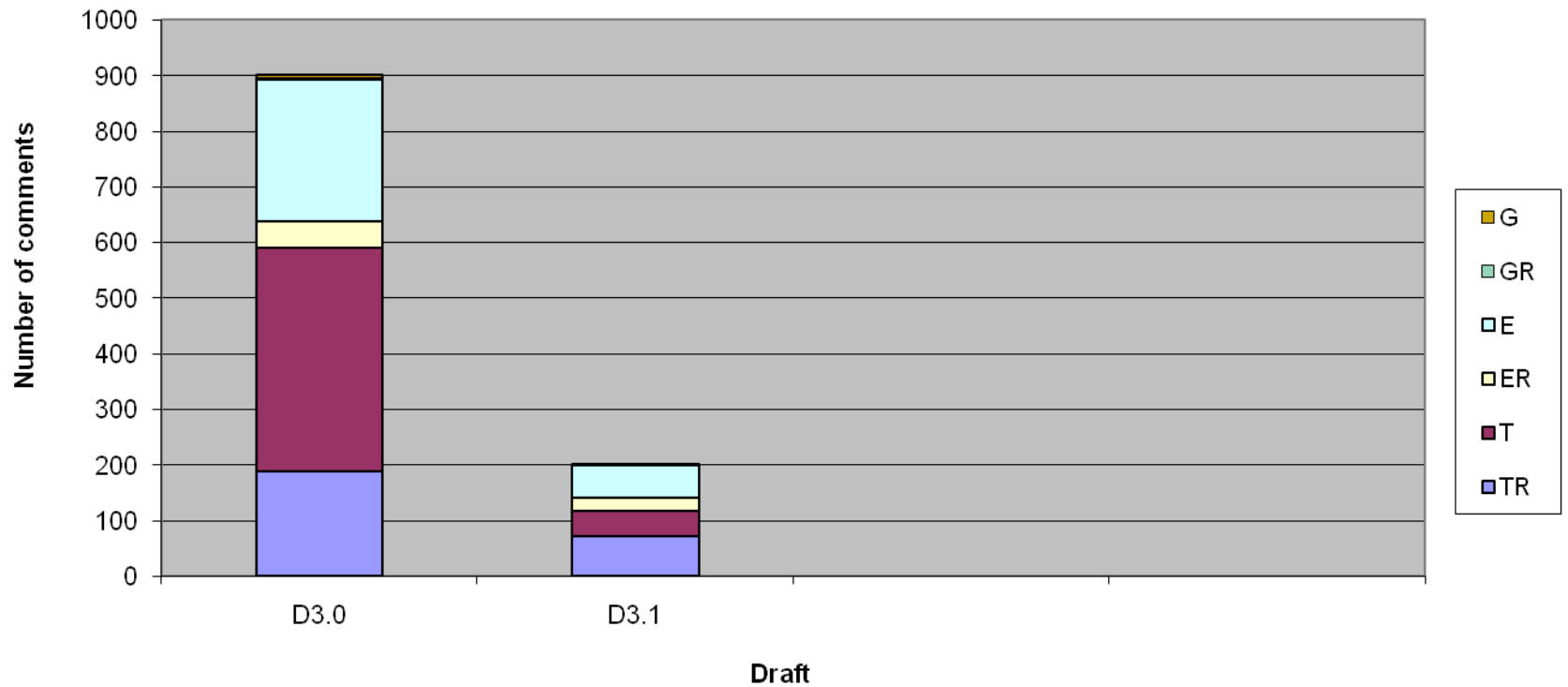
9 Disapprove votes have no unresolved negative comments

Approval rate history



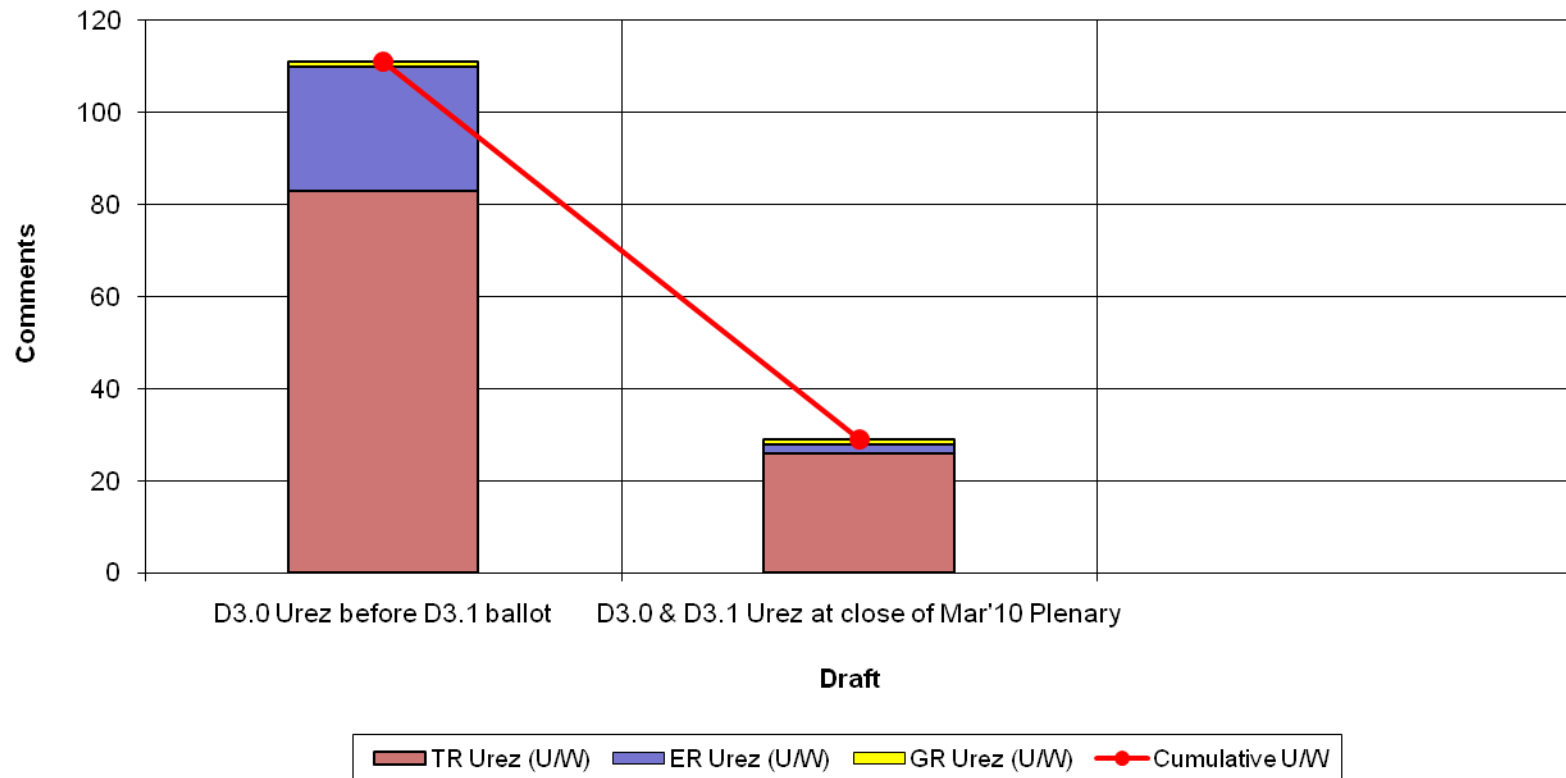
Comments history

P802.3ba Sponsor ballot comment history



Unresolved comments history

P802.3ba WG ballot unresolved comments history



Unsatisfied Negative Comments (1 of 2)

Balloter	Affiliation	TR / ER / GR	Topics
Piers Dawe	IPTronics	10 / 0 / 1	Text clarification related to location of FEC sublayer Terminology – De-emphasis nAUI low frequency jitter requirement Text related to use of “functional” Text related to “Network safety” Mandatory nature of Loopback for Clause 84 & 85 Capitalization of data dependent jitter Table formatting
Brad Booth	Applied Micro	1 / 0 / 0	Nomenclature
Paul Kolesar	CommScope	1 / 0 / 0	Reach of –SR4 / -SR10
Marek Hajduczenia	ZTE	4 / 0 / 0	Terminology - CSMA/CD MAC Clarity between Capacity and PCS Lane Rate Description of minimum IPG variable “test_sh”

Unsatisfied Negative Comments (2 of 2)

Balloter	Affiliation	TR / ER / GR	Topics
Ali Ghiasi	Broadcom	5 / 0 / 0	Proposed change to Rx State Diagram MDI Connector Pinout (3) Minimum requirements for PMD connecting to MDI
Charles Moore	Avago	1 / 1 / 0	85.8.4.2 & Requirements for Test passage Clarification of Rx interference tolerance requirement on per lane basis
John Abbott	Corning	2 / 0 / 0	Two PMDs for –SR Illustrative link model
John Petrilla	Avago	2 / 1 / 0	Tx / Rx hit ratio Text clarification related to nPPI / connector / test board
Total (29)		26 / 2 / 1	

WG Motion #1

- Request the Working Group Chair submit IEEE P802.3ba for conditional approval to RevCom.
- Moved by: John D'Ambrosia on behalf of the Task Force
- Technical (=>75%)
- Results 802.3 Voters (y/n/a): 61 / 0 / 0
- Motion Passes

WG Motion #2

- Move that 802.3 approve and forward the liaison letter (dambrosia_01a_0310.pdf) with appropriate edits by the Chair (or his appointed agent), to the OIF.
- Moved by: John D'Ambrosia on behalf of the Task Force
- Technical (=>75%)
- Results 802.3 Voters (y/n/a): 65 / 0 / 1
- Motion Passes

Future Meeting(s)

- Tenative - April 2010 IEEE 802.3ba Interim
 - April 20
 - Location – San Jose / San Francisco, Ca, USA
- May 2010 IEEE 802.3 Interim (if needed)
 - May 24 - 25
 - Geneva, Switzerland



Thank You!

