
D3.1 comment #133

Chris DiMinico
MC Communications
cdiminico@ieee.org

Comment#133

CI 85

SC 85.8.3.5

P 265

L 45

133

Dudek, Michael

QLogic Corporation

Comment Type **TR** *Comment Status* **X**

Figure 85-5 is not implemented as was suggested in draft 3.0 comment 831. The DUT is still not drawn in the figure and the dotted DUT box is in the wrong place.

Suggested Remedy

Remove the box labelled DUT around the test fixture. Add a DUT to the left of the figure. Figure 85-14 with the Cable Assembly test fixture relabelled DUT (and the test interface on the left removed shows how the DUT should look.

Proposed Response

Response Status

Figure 85-5 per suggested remedy

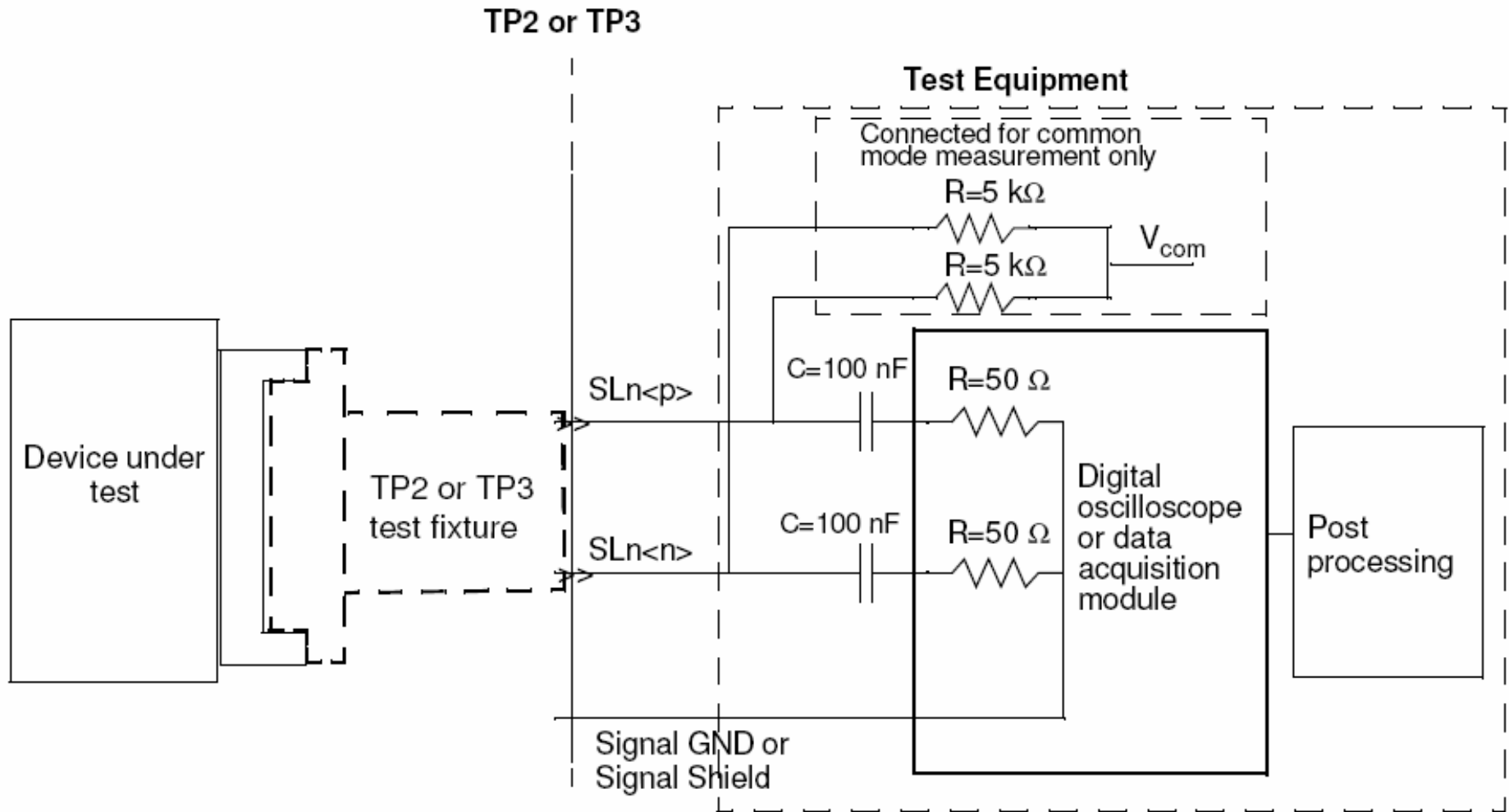


Figure 85-5— Transmitter test fixture