

IEEE P802.3ba 40Gb/s and 100Gb/s Ethernet Task Force

Chief Editor's Report

Ilango Ganga, Intel
Editor-in-Chief, IEEE P802.3ba Task Force

May 4, 2009



Editorial Team

Editor	Affiliation	Responsibilities
Ilango Ganga	Intel	Editor-in-Chief Editor – Clauses 1, 4, 80, Annexes A, 4A,31B
Mark Gustlin	Cisco	Chair, Logic Sub-task Force Editor – Clauses 81, 82
Chris Di Minico	MC Communications	Chair, Copper Sub-task Force Editor – Clause 85
Pete Anslow	Nortel	Chair, Optical Sub-task Force Editor – Clause 88
Hugh Barrass	Cisco	Editor – Clauses 30, 45
Arthur Marris	Cadence	Editor – Clauses 69, 73, 74, 84, Annexes 69A, 69B
Steve Trowbridge	Alcatel-Lucent	Editor – Clause 83, Annex 83C
Ryan Latchman	Gennum	Editor – Annexes 83A, 83B
Piers Dawe	Avago Technologies	Editor – Clause 86
Jonathan King	Finisar	Editor – Clause 87



Current status

- Editorial team generated P802.3ba-D2.0 for initial WG ballot
 - WG ballot: Mar 13, 2009 to Apr 16, 2009
- Draft 2.0: Received a total of 791 comments
 - T/TR comments: 472
 - E/ER comments: 319
 - Includes 12 late comments received after ballot close
- Editorial team prepared proposed responses to all 791 comments
 - Proposed responses posted to P802.3ba website on Apr 30, 2009
 - <http://www.ieee802.org/3/ba/public/may09/index.htm>
- Thanks to the Editorial team, volunteers and contributors for your efforts in releasing Draft 2.0 and for preparing proposed responses



Initial WG ballot results

D2.0 Initial WG ballot results	
Voters	229
Approve	87
Disapprove	31
Disapprove w/o comment	4
Abstain	10
Returns	128
Approval rate	73.73%
Abstention rate	7.81%
Response rate	57.64%

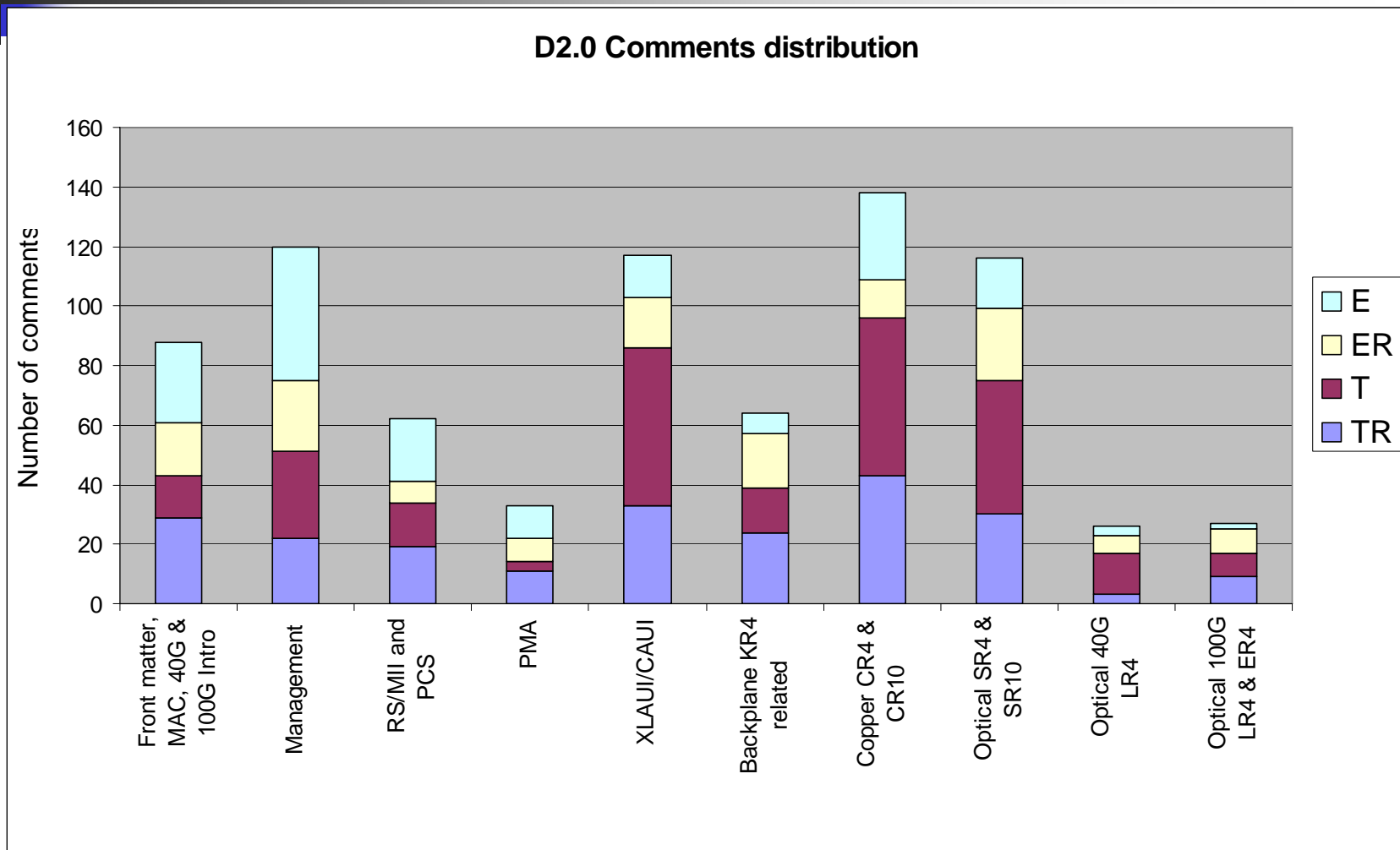
Ballot met the required response rate $\geq 50\%$ and abstention rate of $< 30\%$
Need 2 more approve ballots to reach the required approval rate of $\geq 75\%$



D2.0 Comments report

Description	Clause	Editor	TR	T	ER	E	Total
Front matter, MAC, 40G & 100G Intro	99, 00, 01, A, 4, 4A, 31B, 80	Ilango Ganga	29	14	18	27	88
Management	30, 45	Hugh Barrass	22	29	24	45	120
RS/MII and PCS	81, 82	Mark Gustlin	19	15	7	21	62
PMA	83, 83C	Steve Trowbridge	11	3	8	11	33
XLAUI/CAUI (chip-chip & module)	83A, 83B	Ryan Latchman	33	53	17	14	117
Backplane KR4 related	69, 69A, 69B, 73, 74, 84	Arthur Marris	24	15	18	7	64
Copper CR4 & CR10	85	Chris Di Minico	43	53	13	29	138
Optical SR4 & SR10	86	Piers Dawe	30	45	24	17	116
Optical 40G LR4	87	Jonathan King	3	14	6	3	26
Optical 100G LR4 & ER4	88	Pete Anslow	9	8	8	2	27
Total comments			223	249	143	176	791

D2.0 Comments distribution by category





Top meeting goals

- Resolve/respond to comments received on D2.0
 - Review all T/TRs and ERs in the meeting
 - TRs and ERs need signoff from commenters
 - Subject to availability of time, editorial comments (E) may not be discussed in the meeting and will be left to the editorial team to close based on the proposed responses
 - If you want to review any specific editorial comments, please bring it to the attention of the Sub-Task Force Chairs or Chief Editor
- Request to generate D2.1, for WG circulation or recirculation, based on D2.0 and resolved comments

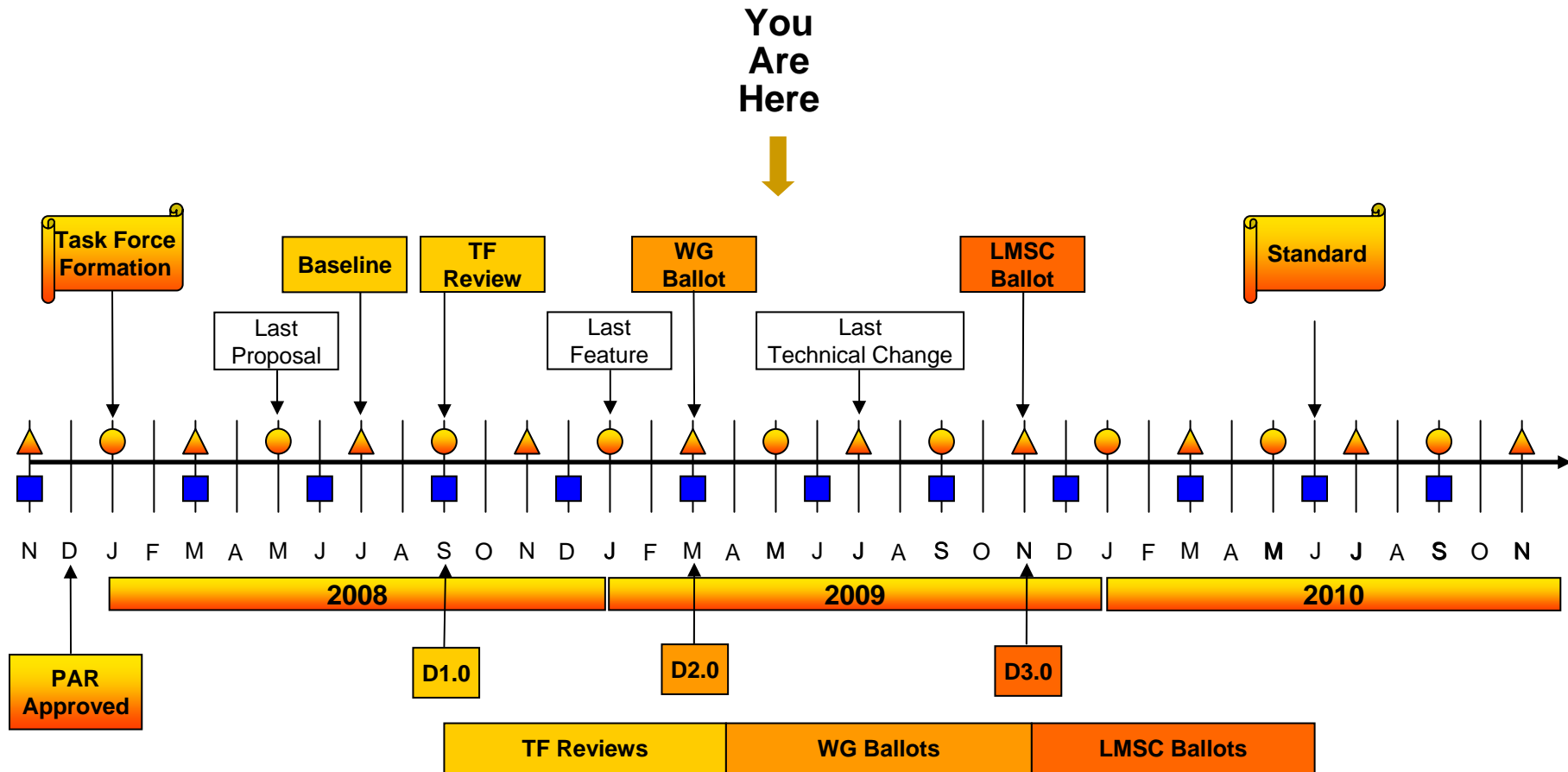


D2.0 Comment review

- The Task Force will meet in a single track after the opening business on Mon for comment resolution
 - See “Task Force discussion” presentation (anslow_05_0509) for list of comments to be discussed in this session
- Comments will be reviewed in Logic, Copper, and Optical tracks in parallel on Tue & Wed
 - Logic track
 - Front matter, Clauses 01, A, 4, 4A, 30, 31B, 45, 73, 74, 80, 81, 82, 83, 83C
 - Copper track
 - Clauses 69, 69A-C, 84, 85, and Annexes 83A & 83B
 - Optical track
 - Clauses 86, 87, 88
 - See Logic, Cu, Optical Sub-Task Force opening reports for details
 - See [gustlin_01_0109.pdf](#), [diminico_01_0109.pdf](#), and [anslow_01_0109.pdf](#)
- Presentations in support of comments will be heard as part of comment resolution when appropriate comments are taken up for review

Note: See [agenda_01_0109](#) for schedule and meeting outline; *schedule subject to change

IEEE P802.3ba Task Force Timeline



* Adopted by IEEE P802.3ba TF at March 08 Plenary

Legend	
▲	IEEE 802 Plenary
●	IEEE 802.3 Interim
■	IEEE-SA Standards Board



Summary

- Resolve/respond to comments received on D2.0
 - If you are satisfied with the resolution and wish to change your ballot to approve, please inform the Chair/Chief Editor
- Request to generate D2.1, based on D2.0 and resolved comments
- Request to go to WG circulation or recirculation as appropriate