

# Optical block diagrams

Pete Anslow, Nortel Networks

Mike Dudek, JDSU

Piers Dawe, Avago Technologies

IEEE P802.3ba, Dallas, November 2008

# Introduction

During the review of Draft 0.9 of 802.3ba in Seoul, there was some discussion regarding the block diagrams for the optical clauses.

This contribution proposes replacement diagrams for Figures 86-2, 87-2 and 88-2.

In these diagrams:

- The symbols used for optical and electrical connectors are consistent with those used in other diagrams in the draft
- The retimer labelling is consistent across all three diagrams
- The SIGNAL\_DETECT function is consistent across all three diagrams
- Notes in Figs 87-2 and 88-2 modified to remove “however, a retimer may be required to ensure compliance at test points TP2 and TP3”
- “and the electrical implementation of the PMD service interface” added to note in Fig 88-2
- The MDI is clarified in Figs 87-2 and 88-2

# Proposed replacement Figure 86-2

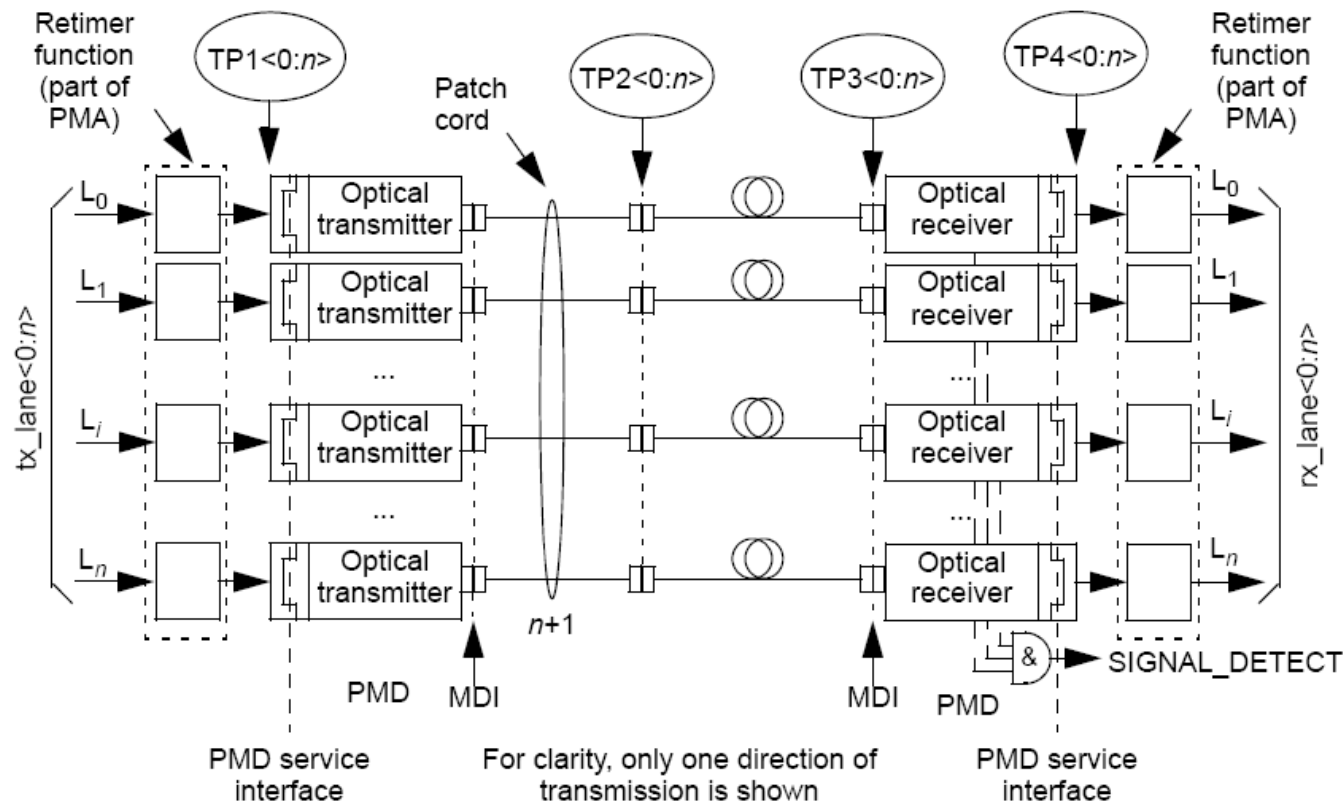
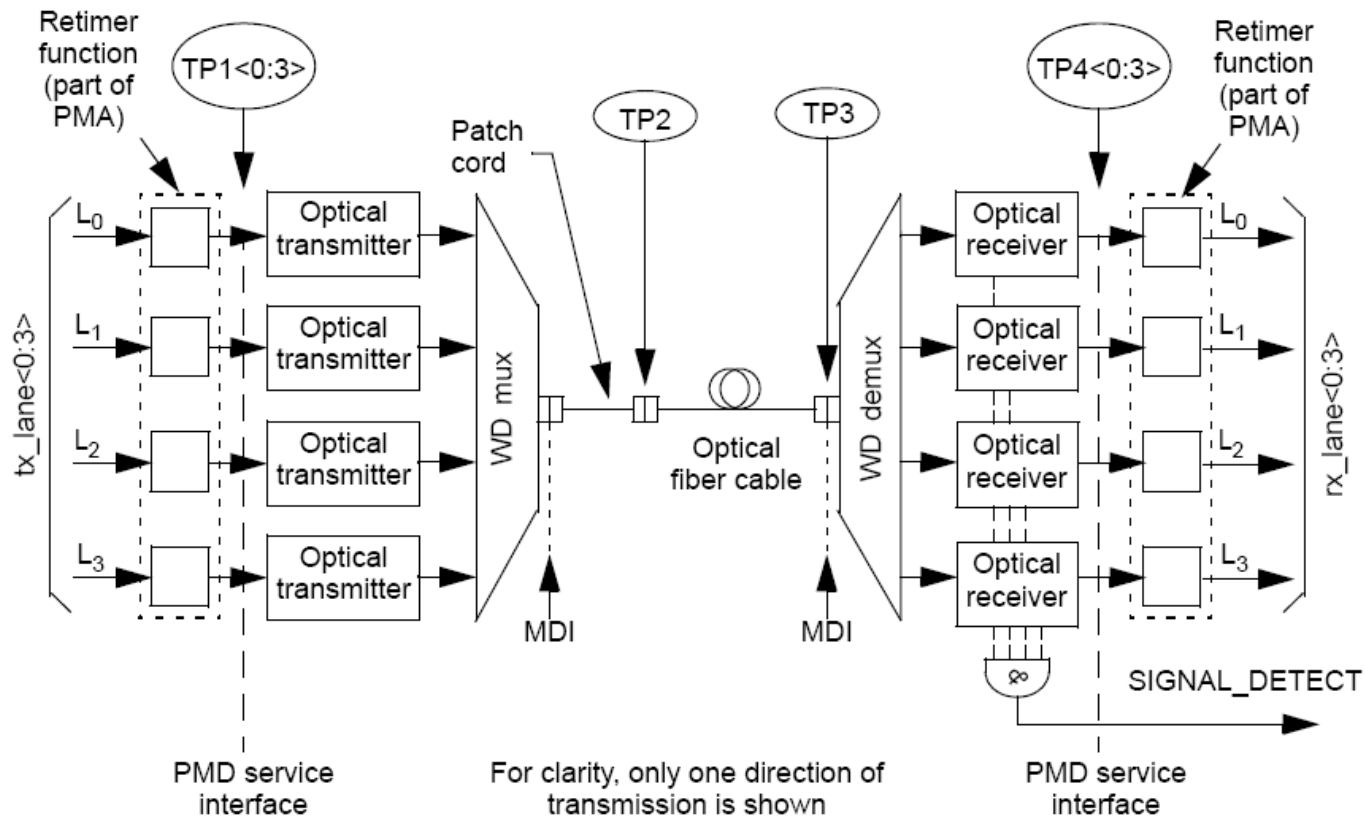


Figure 86-2—Block diagram for 40GBASE-SR4 and 100GBASE-SR10 transmit / receive paths

# Proposed replacement Figure 87-2

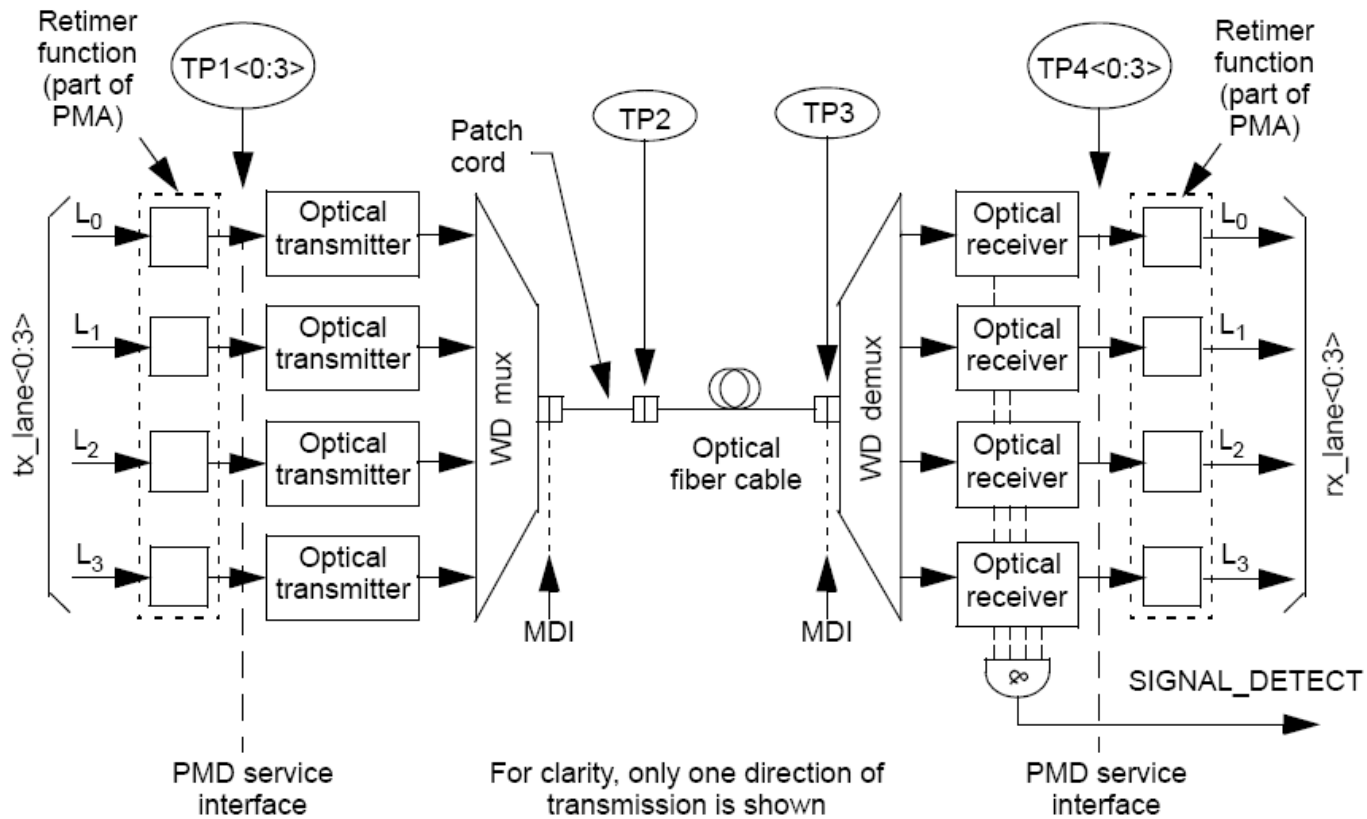


WD = Wavelength division

NOTE—Specification of the retimer function is beyond the scope of this standard.

**Figure 87-2—Block diagram for 40GBASE-LR4 transmit/receive paths**

# Proposed replacement Figure 88-2



WD = Wavelength division

NOTE—Specification of the retimer function and the electrical implementation of the PMD service interface is beyond the scope of this standard.

**Figure 88–2—Block diagram for 100GBASE-LR4 and 100GBASE-ER4 transmit/receive paths**