

IEEE P802.3ba 40Gb/s and 100Gb/s Ethernet Task Force

Chief Editor's Report

Ilango Ganga, Intel
Editor-in-Chief, IEEE P802.3ba Task Force

Nov 17, 2009



Editorial Team

Editor	Affiliation	Responsibilities
Ilango Ganga	Intel	Editor-in-Chief Editor – Clauses 1, 4, 80, Annexes A, 4A,31B
Mark Gustlin	Cisco	Chair, Logic Sub-task Force Editor – Clauses 81, 82
Chris Di Minico	MC Communications	Chair, Copper Sub-task Force Editor – Clause 85, Annex 85A
Pete Anslow	Nortel	Chair, Optical Sub-task Force Editor – Clause 88
Hugh Barrass	Cisco	Editor – Clauses 30, 45
Arthur Marris	Cadence	Editor – Clauses 69, 73, 74, 84, Annexes 69A, 69B
Steve Trowbridge	Alcatel-Lucent	Editor – Clause 83, Annex 83C
Ryan Latchman	Gennum	Editor – Annexes 83A, 83B
Piers Dawe	Independent	Editor – Clause 52, 86, Annex 86A
Jonathan King	Finisar	Editor – Clause 87



Current status

- Editorial team generated P802.3ba-D2.3 for 3rd WG ballot recirculation
 - WG ballot 3rd recirculation: Oct 16, 2009 to Oct 30, 2009
 - Ballot scope: Substantive changes made to create D2.3 from D2.2 and unsatisfied negative comments from D2.2
- Draft 2.3: Received a total of 77 comments
 - TR comments: 28
 - ER comments: 3
 - T comments 21
 - E comments: 25
- Editorial team prepared proposed responses to all 77 comments
 - Proposed responses posted to P802.3ba website on Nov 12, 2009
 - <http://www.ieee802.org/3/ba/public/nov09/index.htm>
- Thanks to the Editorial team, volunteers and contributors for your efforts in releasing Draft 2.3 and for preparing proposed responses



WG ballot results

	D2.0 Initial WG ballot	D2.1 WG recirc ballot	D2.2 WG recirc ballot	D2.3 WG recirc ballot
Voters	229	229	229	229
Approve	87	97	108	128
Disapprove	32	30	21	10
Disapprove w/o comment	3	2	1	1
Abstain	10	11	14	7
Returns	132	140	144	146
Response rate	57.64%	61.14%	62.88%	63.76%
Abstention rate	7.58%	7.86%	9.72%	4.79%
Approval rate	73.11%	76.38%	83.72%	92.75%

Ballot met required response rate $\geq 50\%$, abstention rate $< 30\%$, and approval rate $\geq 75\%$

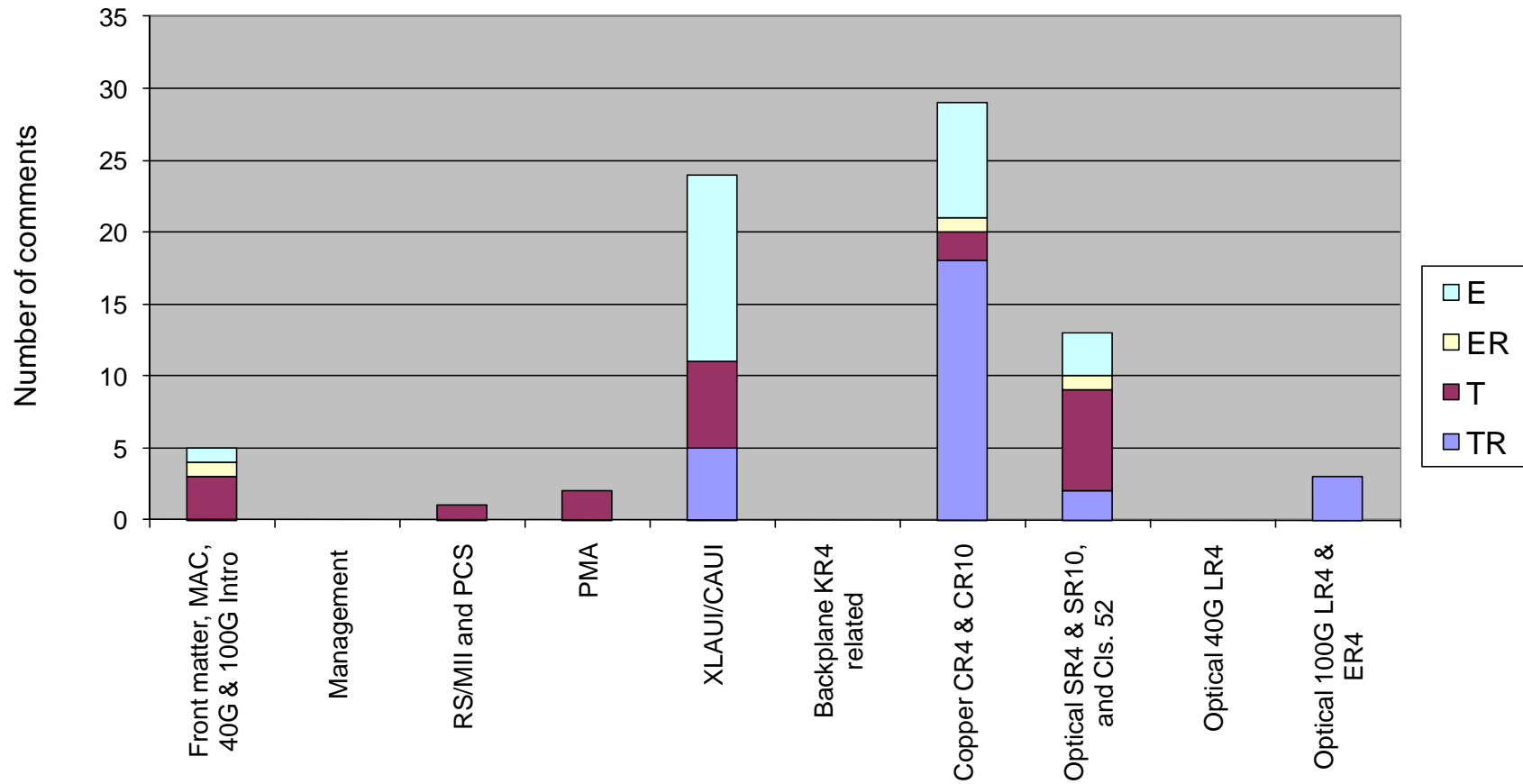


D2.3 Comments report

Description	Editor	Clause	TR	T	ER	E	Total
Front matter, MAC, 40G & 100G Intro	Ilango Ganga	99, 00, 01, A, 4, 4A, 31B, 80	0	3	1	1	5
Management	Hugh Barrass	30, 45	0	0	0	0	0
RS/MII and PCS	Mark Gustlin	81, 82	0	1	0	0	1
PMA	Steve Trowbridge	83, 83C	0	2	0	0	2
XLAUI/CAUI	Ryan Latchman	83A, 83B	5	6	0	13	24
Backplane KR4 related	Arthur Marris	69, 69A, 69B, 73, 74, 84	0	0	0	0	0
Copper CR4 & CR10	Chris Di Minico	85, 85A	18	2	1	8	29
Optical SR4 & SR10, and Cls. 52	Jonathan King (for Piers)	86, 86A, 52	2	7	1	3	13
Optical 40G LR4	Pete Anslow (for Jonathan)	87	0	0	0	0	0
Optical 100G LR4 & ER4	Pete Anslow	88	3	0	0	0	3
Total comments			28	21	3	25	77

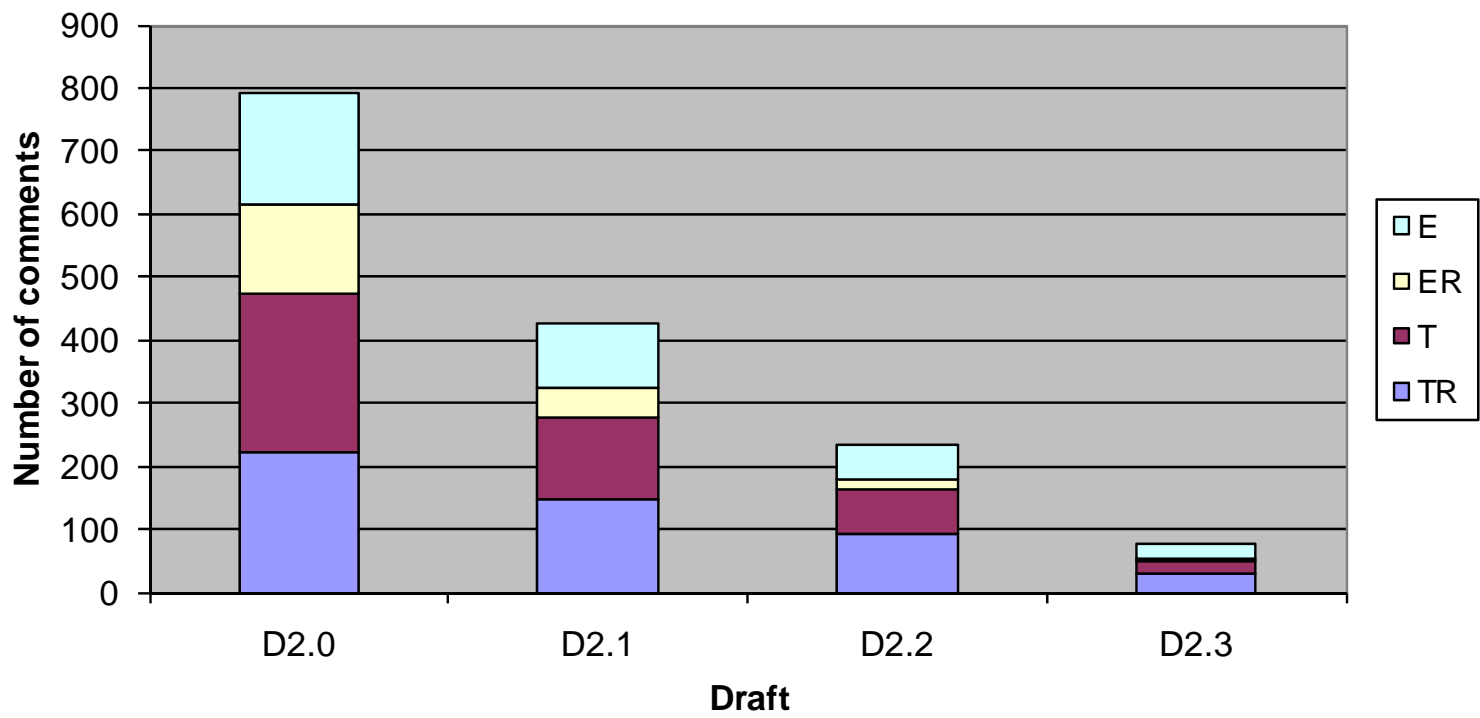
D2.3 Comments distribution by category

D2.3 comment distribution

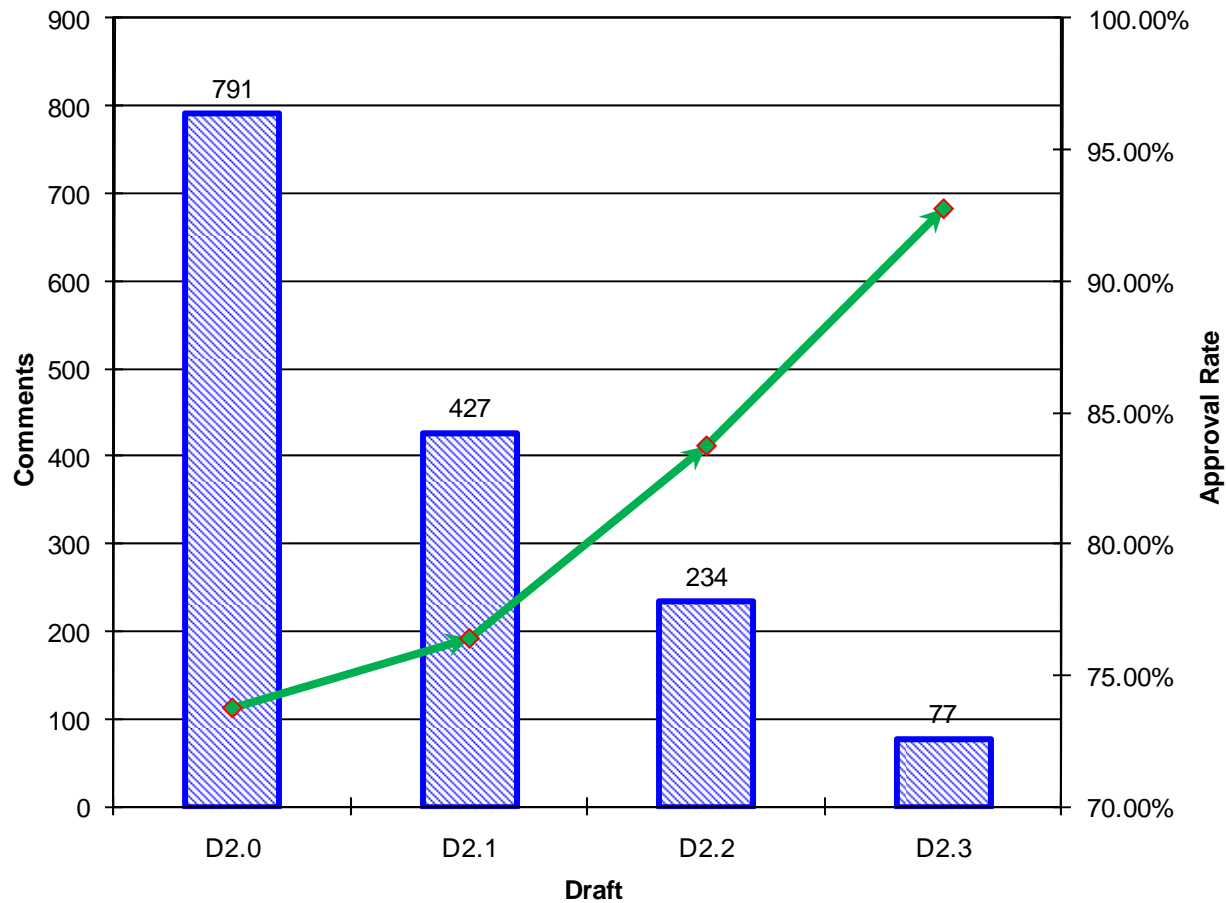


Comments history

P802.3ba WG ballot comment history

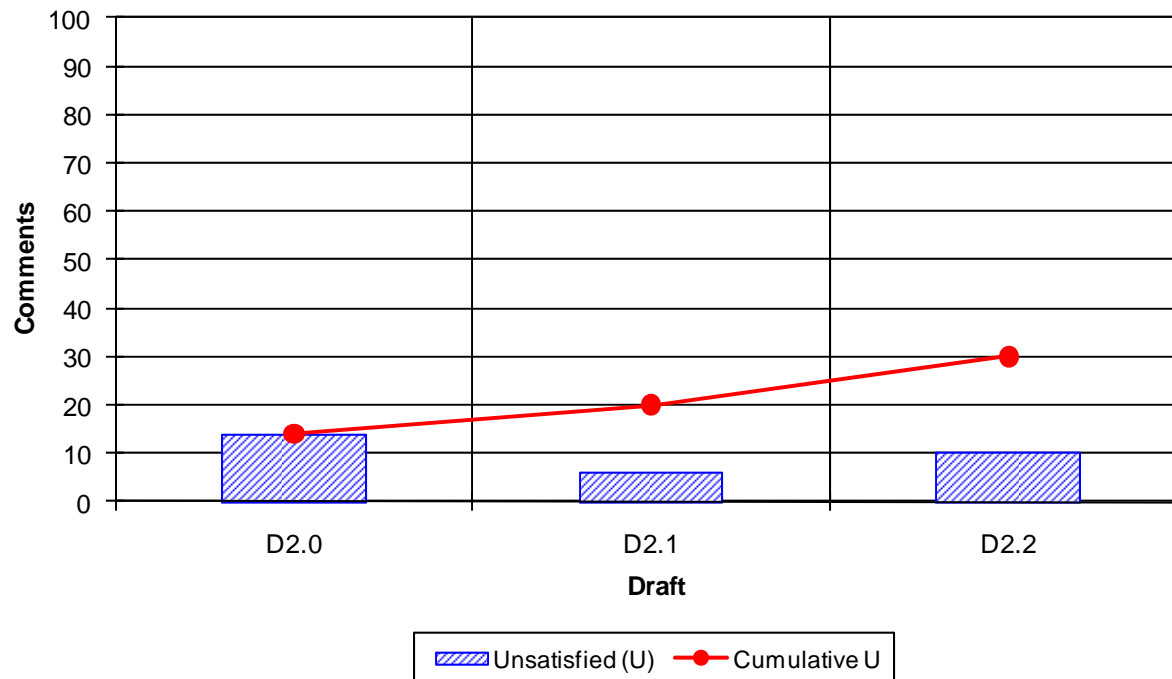


Approval rate history



Unsatisfied comments history

P802.3ba WG ballot unsatisfied comments history



Note: Indicate to TF Chair or Chief Editor if you would like to close your unsatisfied TR/ER comments on previous drafts



Top meeting goals

- Resolve/respond to all comments received on D2.3
 - Review all 77 comments in the meeting
 - TRs and ERs need signoff from commenters
- Request to generate D3.0, for sponsor ballot, based on D2.3 and resolved comments
- Request for sponsor ballot in WG Plenary closing session
 - Requirement to request sponsor ballot:
 - No substantive (normative) changes to create D3.0 from D2.3
 - No new unresolved negative comments in D2.3

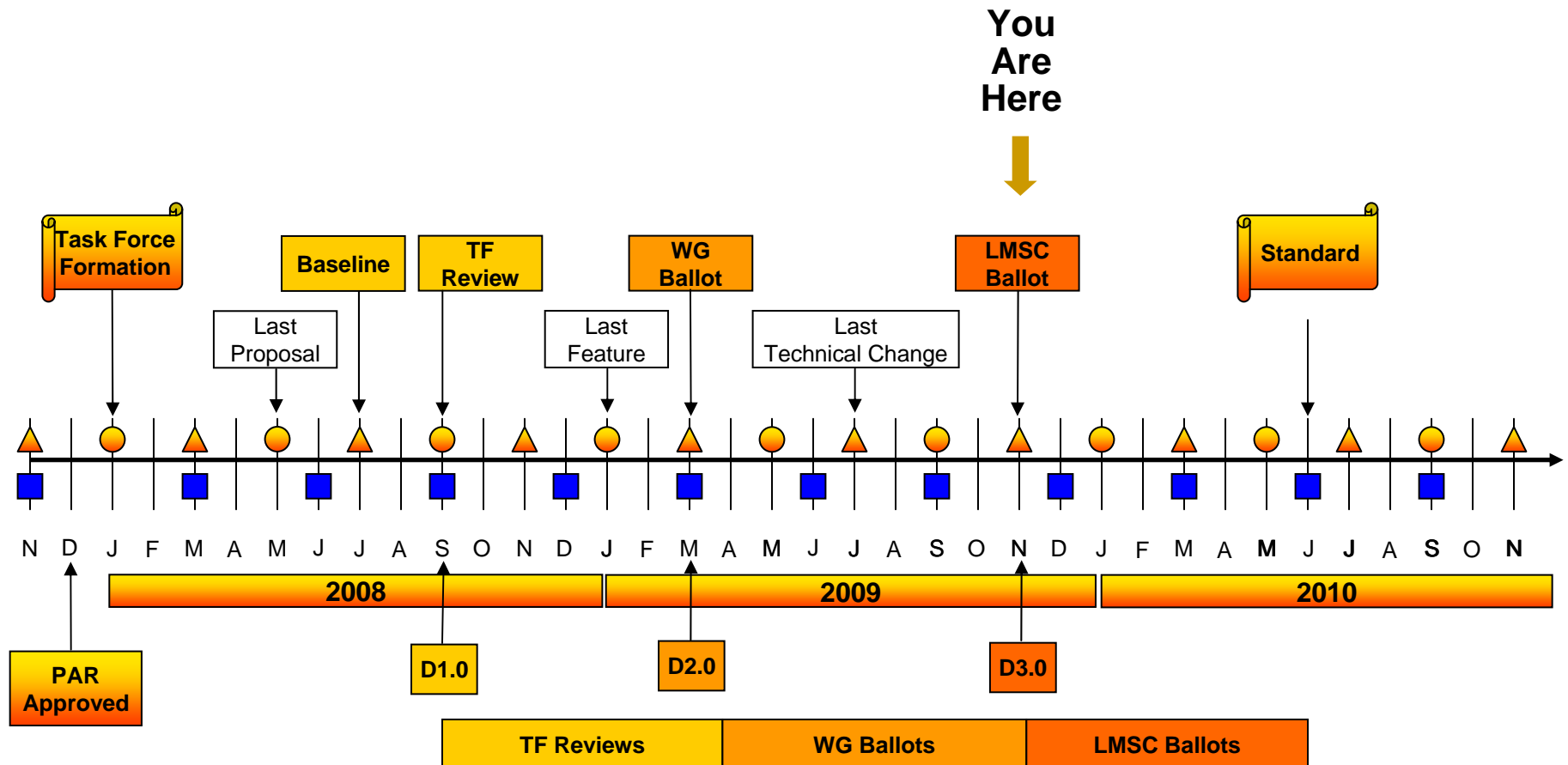


D2.3 Comment review

- The Task Force will meet in a single track after the opening business on Tue and for comment resolution
 - See “Combined Tracks Comment Resolution” presentation (anslow_02_1109)
- Presentations in support of comments will be heard as part of comment resolution when appropriate comments are taken up for review

Note: See agenda_01_1109 for schedule and meeting outline; *schedule subject to change

IEEE P802.3ba Task Force Timeline



* Adopted by IEEE P802.3ba TF at March 08 Plenary

Legend	
▲	IEEE 802 Plenary
●	IEEE 802.3 Interim
■	IEEE-SA Standards Board

Proposed schedule till Sponsor ballot

SI.#	Description	Date	Day	# of business days	# of calendar days	Status/Remarks
	Mar Plenary meeting (Mar 9 to Mar 12)	12-Mar	Thu			
	Initial Working Group ballot D2.0 - Opens	12-Mar	Thu			Done
	Initial Working Group ballot D2.0 - Closes	16-Apr	Thu		35	Done
	Proposed response posted	30-Apr	Thu	10		Done
	May interim meeting ends (May 4 to May 7)	7-May	Thu			
	D2.1 Editing starts on following Mon	11-May	Mon			
	First WG ballot recirculation D2.1 - Opens	1-Jun	Mon	15		
	First WG ballot recirculation D2.1 - Closes	26-Jun	Fri		25	25 day circulation (Done)
	Proposed response posted	9-Jul	Thu	9		
	July Plenary meeting (Jul 13 to Jul 16)	16-Jul	Thu			
	D2.2 Editing starts on following Mon	20-Jul	Mon			
	Second WG ballot recirculation D2.2 - Opens	19-Aug	Wed	22		
	Second WG ballot recirculation D2.2 - Closes	2-Sep	Wed		15	15 day recirc (Done)
	Proposed response posted	17-Sep	Thu	10		
	Sep interim meeting (Sep 21 to Sep 24)	24-Sep	Thu			
	D2.3 Editing starts on following Mon	28-Sep	Mon			
	Third WG ballot recirculation D2.3 - Opens	16-Oct	Fri	14		
	Third WG ballot recirculation D2.3 - Closes	30-Oct	Fri		15	15 day recirc (Done)
	Proposed response posted	12-Nov	Thu	9		Requirement to req Sponsor ballot: No new unresolved negatives and No substantive (normative) changes
	Nov Plenary meeting (Nov 16 to Nov 19)	19-Nov	Thu			D3.0 ready at closing plenary EC approval on Friday 11/20
	Mandatory Editorial coordination (MEC)	30-Nov	Mon	7		2 days for US Thanksgiving Nov 26-27
	Initial Sponsor ballot D3.0 - Opens	7-Dec	Mon	5		Requires 5 business days before ballot
	Initial Sponsor ballot D3.0 - Closes	5-Jan	Tue		30	30 day electronic ballot
	Proposed response posted	21-Jan	Thu	11		Includes New Year holiday
	Jan interim meeting (Jan 25 to Jan 29) Estimated	25-Jan	Mon			Estimated dates, subject to change

Sponsor ballot



Summary

- Resolve/respond to comments received on D2.3
- Generate D3.0, based on D2.3 and resolved comments
- Request to go to Sponsor ballot