

# IEEE P802.3ba 40Gb/s and 100Gb/s Ethernet Task Force



## Chief Editor's Report

---

Ilango Ganga, Intel  
Editor-in-Chief, IEEE P802.3ba Task Force

Sep 21, 2009



# Editorial Team

Editor	Affiliation	Responsibilities
Ilango Ganga	Intel	Editor-in-Chief Editor – Clauses 1, 4, 80, Annexes A, 4A,31B
Mark Gustlin	Cisco	Chair, Logic Sub-task Force Editor – Clauses 81, 82
Chris Di Minico	MC Communications	Chair, Copper Sub-task Force Editor – Clause 85, Annex 85A
Pete Anslow	Nortel	Chair, Optical Sub-task Force Editor – Clause 88
Hugh Barrass	Cisco	Editor – Clauses 30, 45
Arthur Marris	Cadence	Editor – Clauses 69, 73, 74, 84, Annexes 69A, 69B
Steve Trowbridge	Alcatel-Lucent	Editor – Clause 83, Annex 83C
Ryan Latchman	Gennum	Editor – Annexes 83A, 83B
Piers Dawe	Avago Technologies	Editor – Clause 52, 86, Annex 86A
Jonathan King	Finisar	Editor – Clause 87



# Current status

---

- Editorial team generated P802.3ba-D2.2 for 2<sup>nd</sup> WG ballot recirculation
  - WG ballot recirculation: Aug 19, 2009 to Sep 2, 2009
  - Ballot scope: Substantive changes to create D2.2 from D2.1 and unsatisfied negative comments from D2.1
- Draft 2.2: Received a total of 234 comments
  - T/TR comments: 162
  - ER comments: 18
  - E comments: 54
  - Includes 9 late comments received after ballot close (pending consideration by the Task Force)
- Editorial team prepared proposed responses to all 324 comments
  - Proposed responses posted to P802.3ba website on Sep 17, 2009
  - <http://www.ieee802.org/3/ba/public/sep09/index.htm>
- Thanks to the Editorial team, volunteers and contributors for your efforts in releasing Draft 2.2 and for preparing proposed responses



# WG ballot results

D2.2 WG recirculation ballot	
Voters	229
Approve	106
Disapprove	23
Disapprove w/o comment	1
Abstain	14
Returns	144
Response rate	62.88%
Abstention rate	9.72%
Approval rate	82.17%

D2.1 WG recirculation ballot	
Voters	229
Approve	97
Disapprove	30
Disapprove w/o comment	2
Abstain	11
Returns	140
Response rate	61.14%
Abstention rate	7.86%
Approval rate	76.38%

D2.0 Initial WG ballot	
Voters	229
Approve	87
Disapprove	32
Disapprove w/o comment	3
Abstain	10
Returns	132
Response rate	57.64%
Abstention rate	7.58%
Approval rate	73.11%

Ballot met required response rate  $\geq 50\%$ , abstention rate  $< 30\%$ , and approval rate  $\geq 75\%$

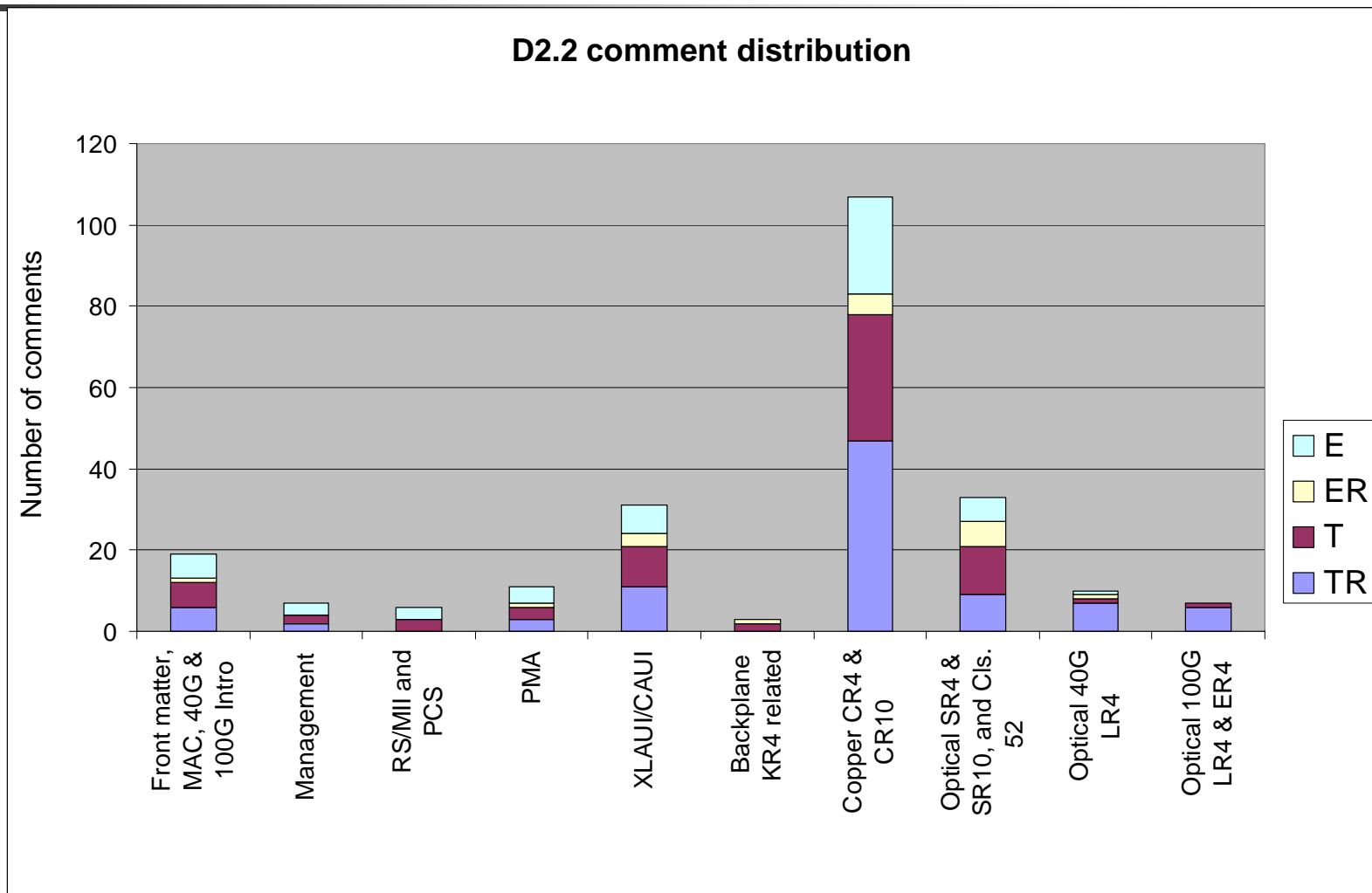


# D2.2 Comments report

Description	Editor	Clause	TR	T	ER	E	Total*
Front matter, MAC, 40G & 100G Intro	Ilango Ganga	99, 00, 01, A, 4, 4A, 31B, 80	6	6	1	6	19
Management	Hugh Barrass	30, 45	2	2	0	3	7
RS/MII and PCS	Mark Gustlin	81, 82	0	3	0	3	6
PMA	Steve Trowbridge	83, 83C	3	3	1	4	11
XLAUI/CAUI	Ryan Latchman	83A, 83B	11	10	3	7	31
Backplane KR4 related	Arthur Marris	69, 69A, 69B, 73, 74, 84	0	2	1	0	3
Copper CR4 & CR10	Chris Di Minico	85, 85A	47	31	5	24	107
Optical SR4 & SR10, and Cls. 52	Piers Dawe	86, 86A, 52	9	12	6	6	33
Optical 40G LR4	Jonathan King	87	7	1	1	1	10
Optical 100G LR4 & ER4	Pete Anslow	88	6	1	0	0	7
Total comments*			91	71	18	54	234

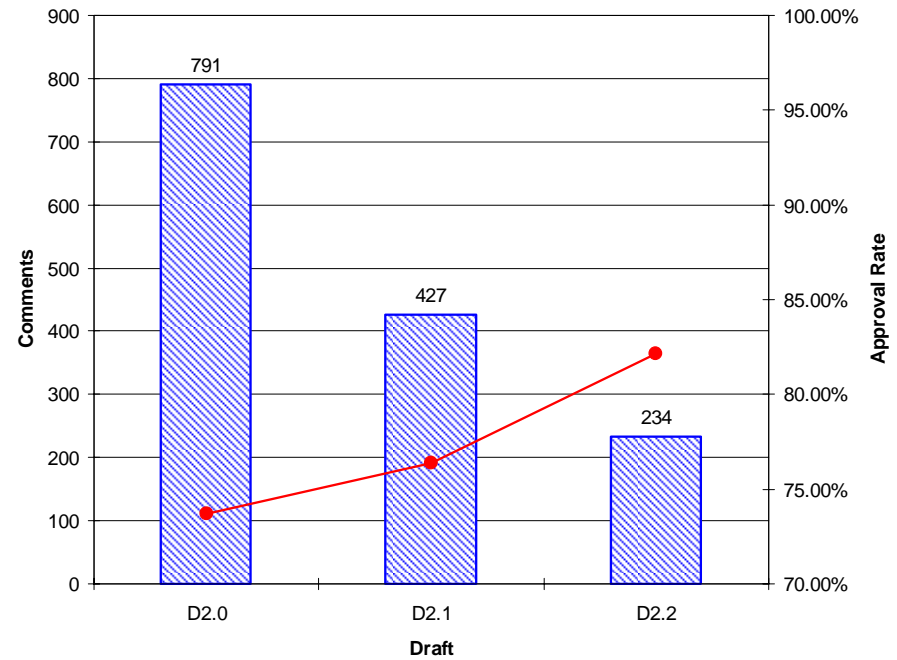
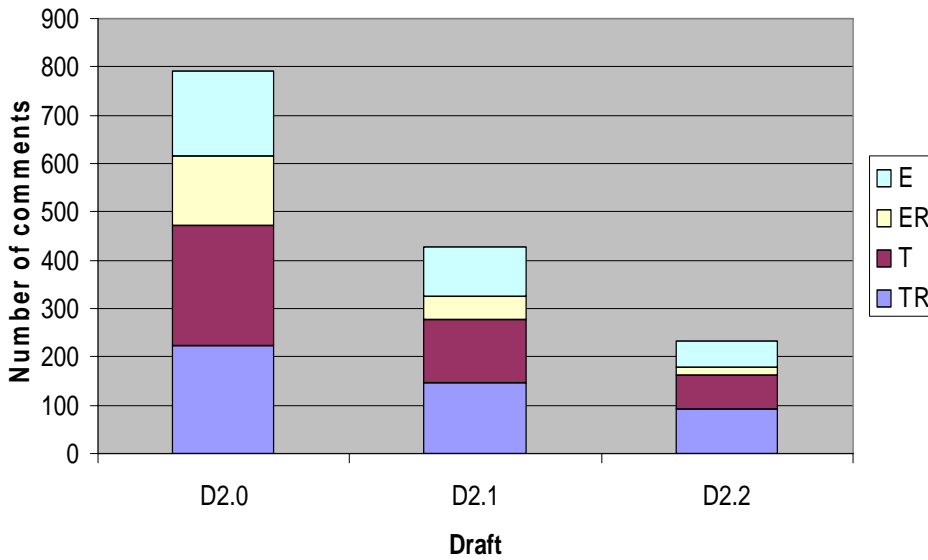
\*Includes 9 Late comments for consideration by the Task Force

# D2.2 Comments distribution by category

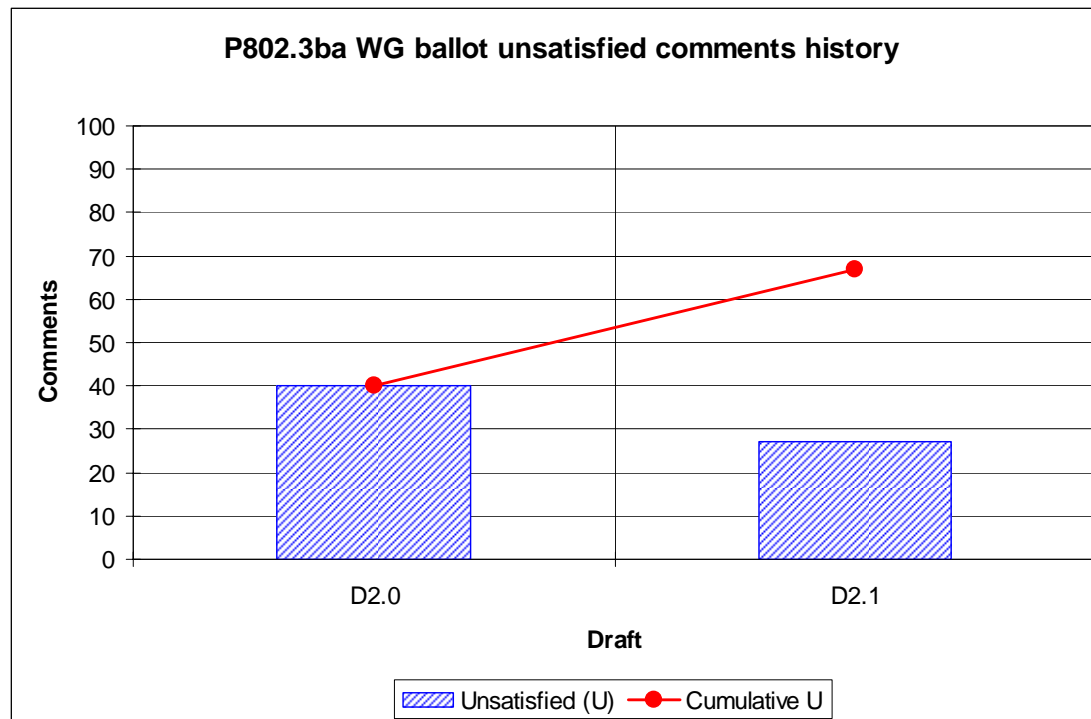


# Comments history

P802.3ba WG ballot comment history



# Unsatisfied comments history



Note: Indicate to Chief Editor or Sub Task Force Chairs if you would like to close your unsatisfied TR/ER comments on previous drafts





# Top meeting goals

---

- Resolve/respond to comments received on D2.2
  - Review all T/TRs (162) and ERs (18) in the meeting
  - TRs and ERs need signoff from commenters
  - Subject to availability of time, editorial comments (E) may not be discussed in the meeting and will be closed based on the proposed responses
    - If you want to review any specific editorial comments, please bring it to the attention of the Sub-Task Force Chairs or Chief Editor
- Close all issues to get ready to request sponsor ballot in Nov'09 Plenary
  - Requirement to request sponsor ballot: No new unresolved negatives and no substantive (normative) changes during next recirculation
- Request to generate D2.3, for WG recirculation, based on D2.2 and resolved comments



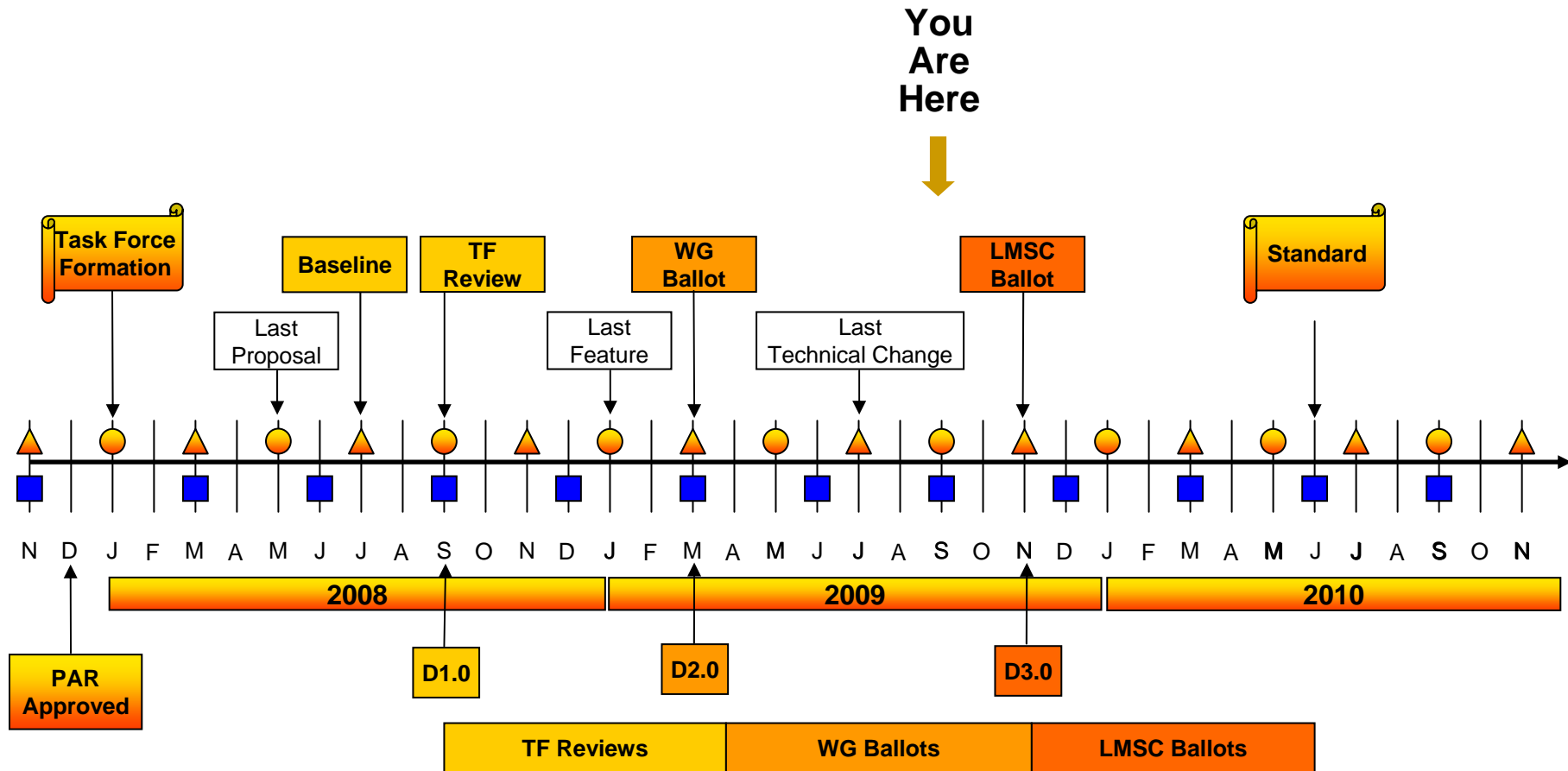
# D2.2 Comment review

---

- The Task Force will meet in a single track after the opening business on Mon and for comment resolution
  - See “Task Force discussion” presentation (anslow\_04\_0909) for list of comments to be discussed in this session
- Comments will be reviewed in Logic, Copper, and Optical tracks in parallel on Tue & Wed
  - Logic track
    - Front matter, Clauses 01, A, 4, 4A, 30, 31B, 45, 73, 74, 80, 81, 82, 83, 83C
  - Copper track
    - Clauses 69, 69A-C, 84, 85, and Annexes 85A, 83A & 83B
  - Optical track
    - Clauses 86, 87, 88, and Annex 86A
  - See Logic, Cu, Optical Sub-Task Force opening reports for details
    - See [gustlin\\_01\\_0909.pdf](#), [diminico\\_01\\_0909.pdf](#), and [anslow\\_01\\_0909.pdf](#)
- The Task Force will meet in a single track on Thu for closing business and to review any comments that need Task Force’s attention
- Presentations in support of comments will be heard as part of comment resolution when appropriate comments are taken up for review

**Note:** See [agenda\\_01\\_0909](#) for schedule and meeting outline; \*schedule subject to change

# IEEE P802.3ba Task Force Timeline



\* Adopted by IEEE P802.3ba TF at March 08 Plenary

**Legend**

- ▲ IEEE 802 Plenary
- IEEE 802.3 Interim
- IEEE-SA Standards Board

# Proposed schedule till Sponsor ballot

SI.#	Description	Date	Day	# of business days	# of calendar days	Status/Remarks
	Mar Plenary meeting (Mar 9 to Mar 12)	12-Mar	Thu			
	Initial Working Group ballot D2.0 - Opens	12-Mar	Thu			Done
	Initial Working Group ballot D2.0 - Closes	16-Apr	Thu		35	Done
	Proposed response posted	30-Apr	Thu	10		Done
	May interim meeting ends (May 4 to May 7)	7-May	Thu			
	D2.1 Editing starts on following Mon	11-May	Mon			
	First WG ballot recirculation D2.1 - Opens	1-Jun	Mon	15		
	First WG ballot recirculation D2.1 - Closes	26-Jun	Fri		25	25 day circulation (Done)
	Proposed response posted	9-Jul	Thu	9		
	July Plenary meeting (Jul 13 to Jul 16)	16-Jul	Thu			
	D2.2 Editing starts on following Mon	20-Jul	Mon			
	Second WG ballot recirculation D2.2 - Opens	19-Aug	Wed	22		
	Second WG ballot recirculation D2.2 - Closes	2-Sep	Wed		15	15 day recirc (Done)
	Proposed response posted	17-Sep	Thu	10		
	Sep interim meeting (Sep 21 to Sep 24)	24-Sep	Thu			
	D2.3 Editing starts on following Mon	28-Sep	Mon			
	Third WG ballot recirculation D2.3 - Opens	15-Oct	Thu	13		* 2wks+2d for draft complete!!
	Third WG ballot recirculation D2.3 - Closes	29-Oct	Thu		15	15 day recirc
	Proposed response posted	12-Nov	Thu	10		Requirement to req Sponsor ballot: No new unresolved negatives and No substantive (normative) changes
	Nov Plenary meeting (Nov 16 to Nov 19)	19-Nov	Thu			D3.0 ready at closing plenary
	D3.0 Document ready	20-Nov	Fri	1		EC approval on Friday 11/20 Requires 5 business days before ballot + 2 days for Thanksgiving
	Initial Sponsor ballot D3.0 - Opens	1-Dec	Tue	7		Min 30 day electronic ballot
	Initial Sponsor ballot D3.0 - Closes	30-Dec	Wed		30	Including new year holiday
	Proposed response posted	14-Jan	Thu	10		Dates may move + 1 wk
	Jan interim meeting (Jan 18 to Jan 21) Estimated	21-Jan	Thu			



# Summary

---

- Resolve/respond to comments received on D2.2
  - Close all issues to get ready to request Sponsor ballot in Nov'09
- Request to generate D2.3, based on D2.2 and resolved comments
- Request to go to WG ballot recirculation