



Summary of Proposed PCS Baseline Text

IEEE 802.3bp – Plenary – November 2014

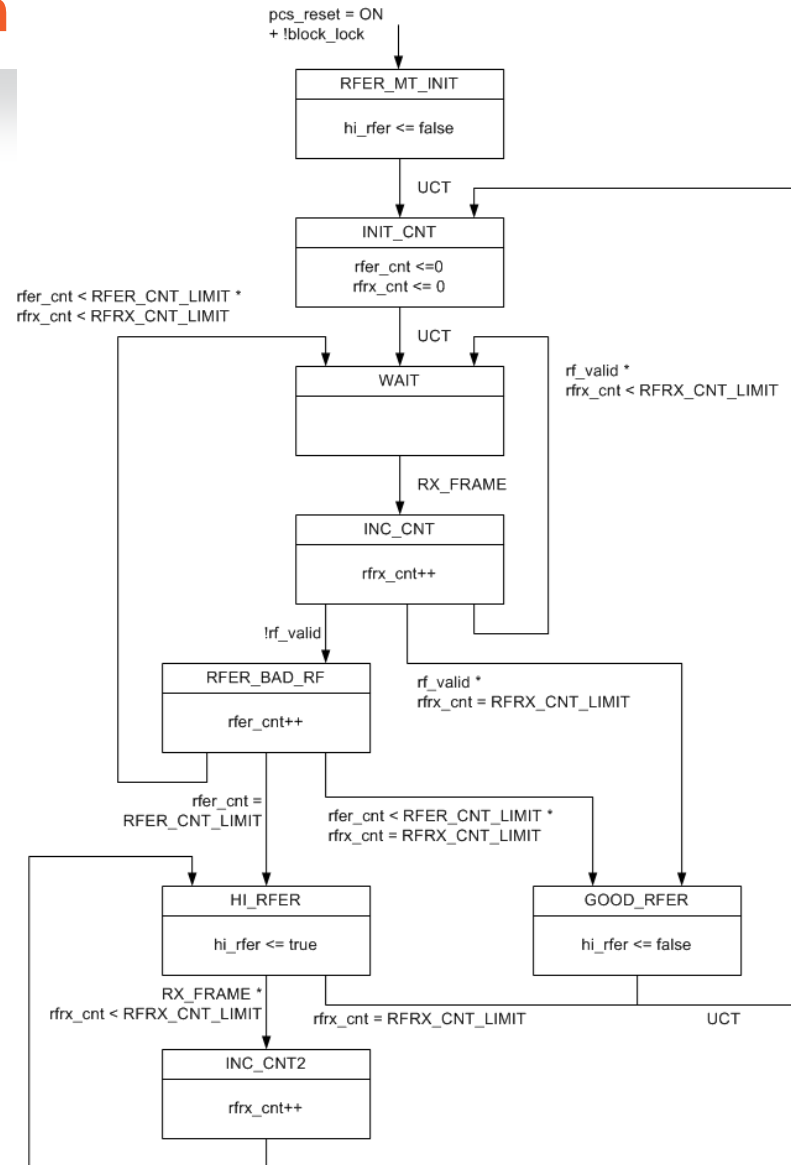
Brett McClellan, Marvell

Basis for PCS Text

- ▶ **Started from Clause 55 (10GBASE-T) PCS text**
- ▶ **Proposed text is from accepted baselines:**
 - Clause 55 scrambler
 - $8N/(8N+1)$ block coding -> written as 80/81
 - RS(450,406) FEC
 - 3B2T Mapping
 - 750 Mbaud
 - OAM field reserved
- ▶ **TBD items in italics**
 - training related text and training mode scrambler
- ▶ **Subject to change based on current proposals**
 - Transmit bit order and scrambler,
 - RS polynomial details to be added

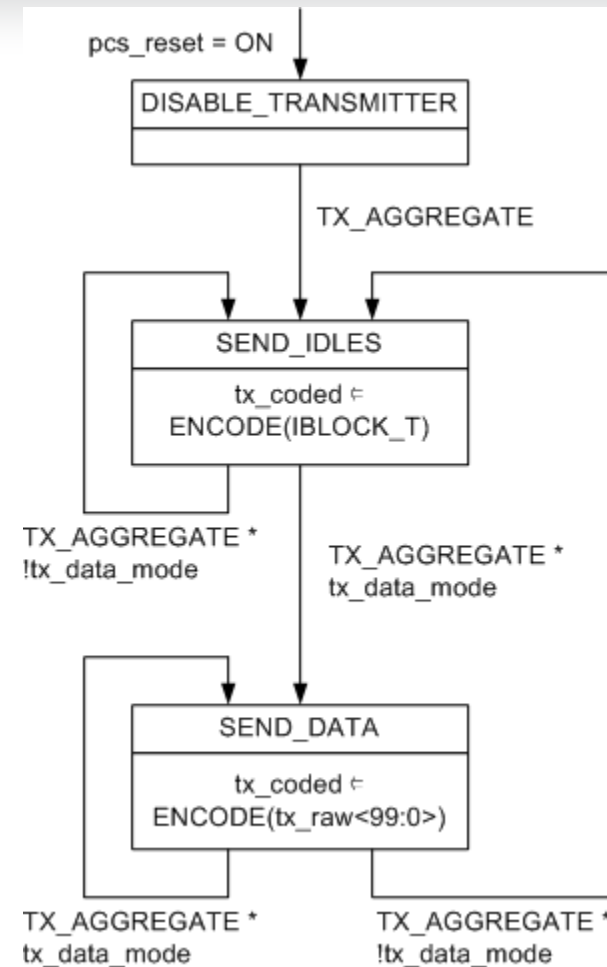
RFER monitor state diagram

- ▶ based on 10GBASE-T
- ▶ error count limits are TBD



Transmit state diagram

- ▶ Transmit Idles when not in data mode



Receive state diagram

- ▶ send Idle to GMII during reset, training and high error conditions

