

# ZTE

Tomorrow never waits

## NG-EPON:

### Dual rate 25G-EPON via TDMA coexistence with 10G-EPON

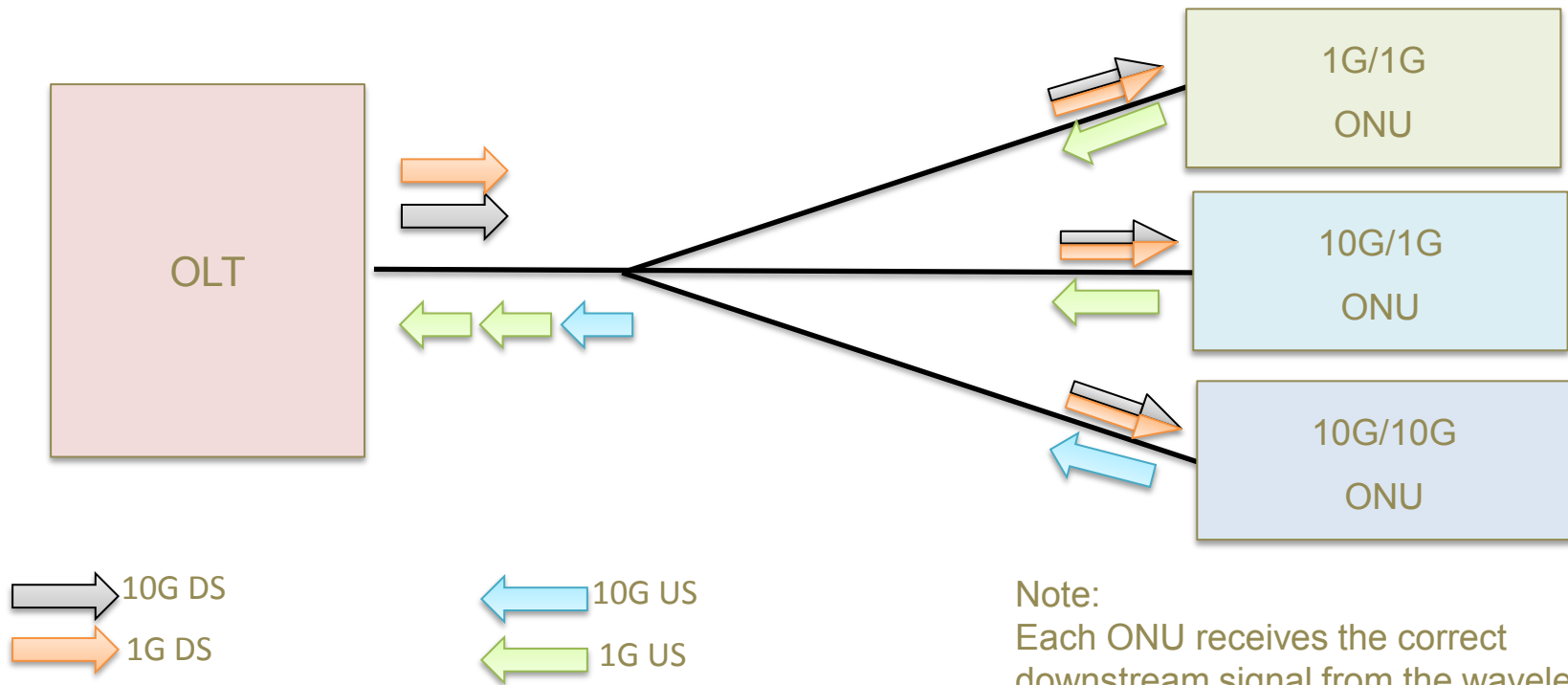
Guohua Kuang  
Dan Geng  
Xingang Huang  
Yong Guo



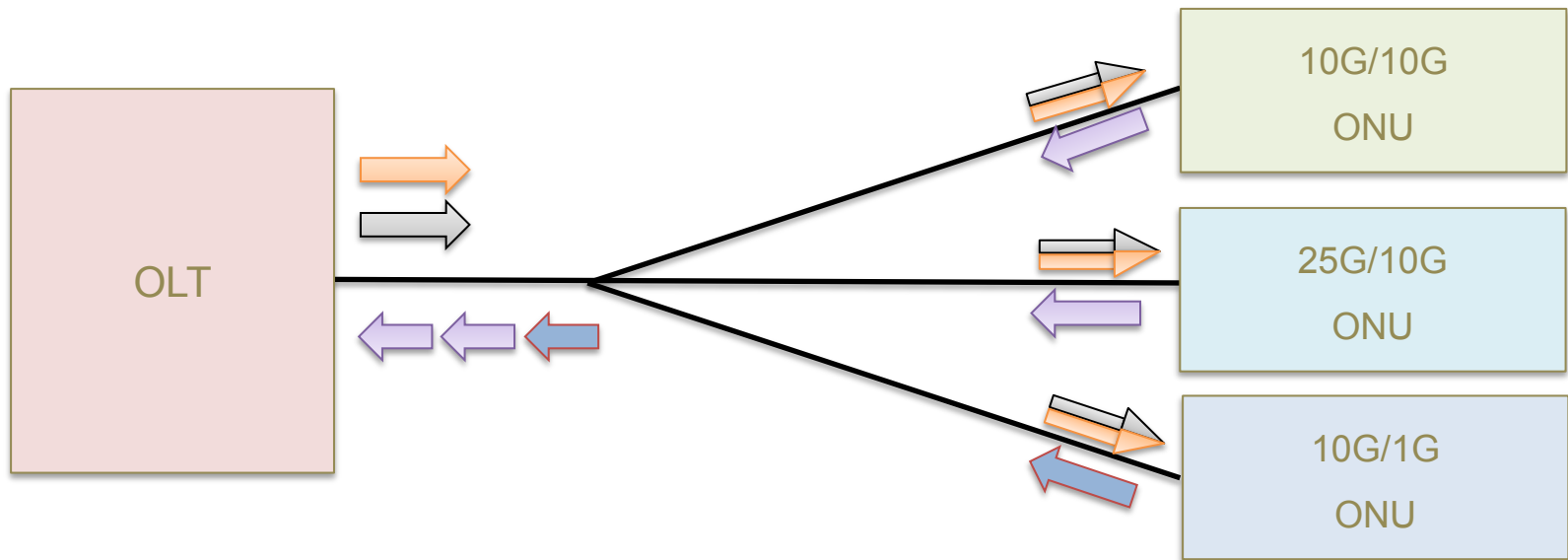
March 2016

IEEE p802.3ca Task Force meeting, Macau, China

# 10G-EPON architecture



# Proposal 1: 10G-EPON upgrades to asymmetric 25G-EPON

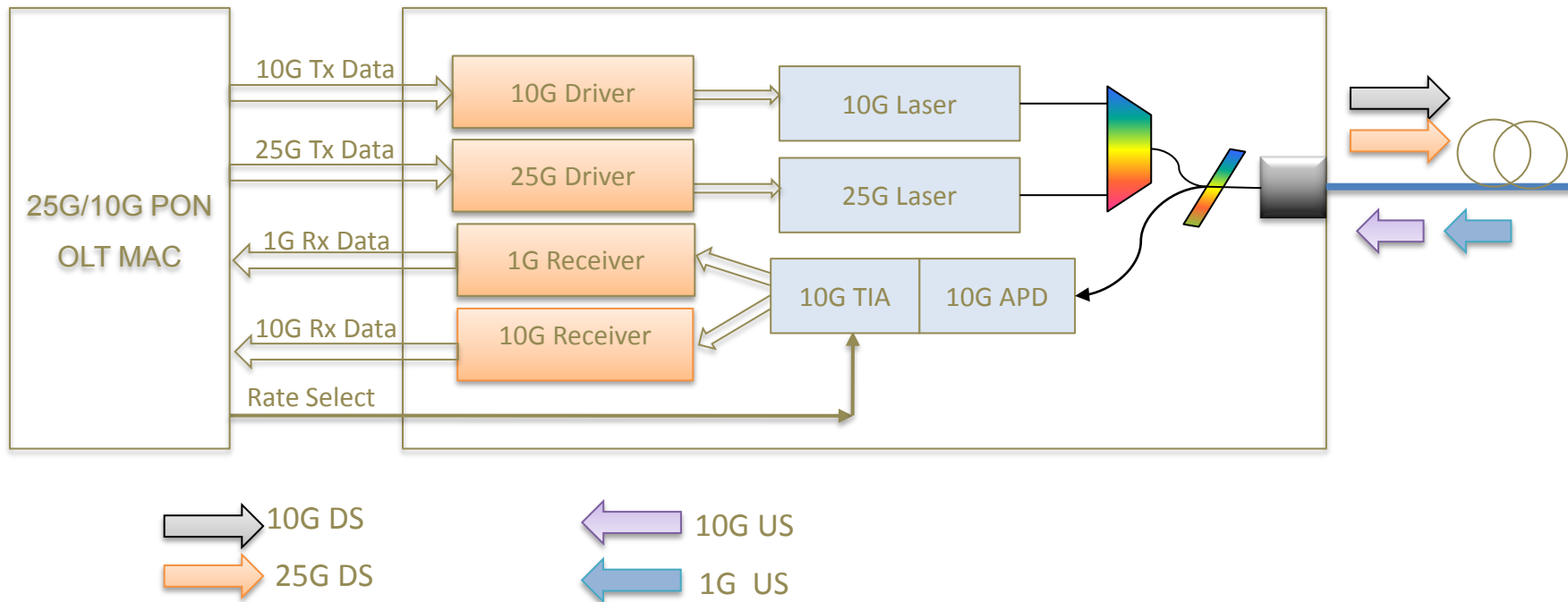


Grey arrow: 10G DS  
Orange arrow: 25G DS

Purple arrow: 10G US  
Blue arrow: 1G US

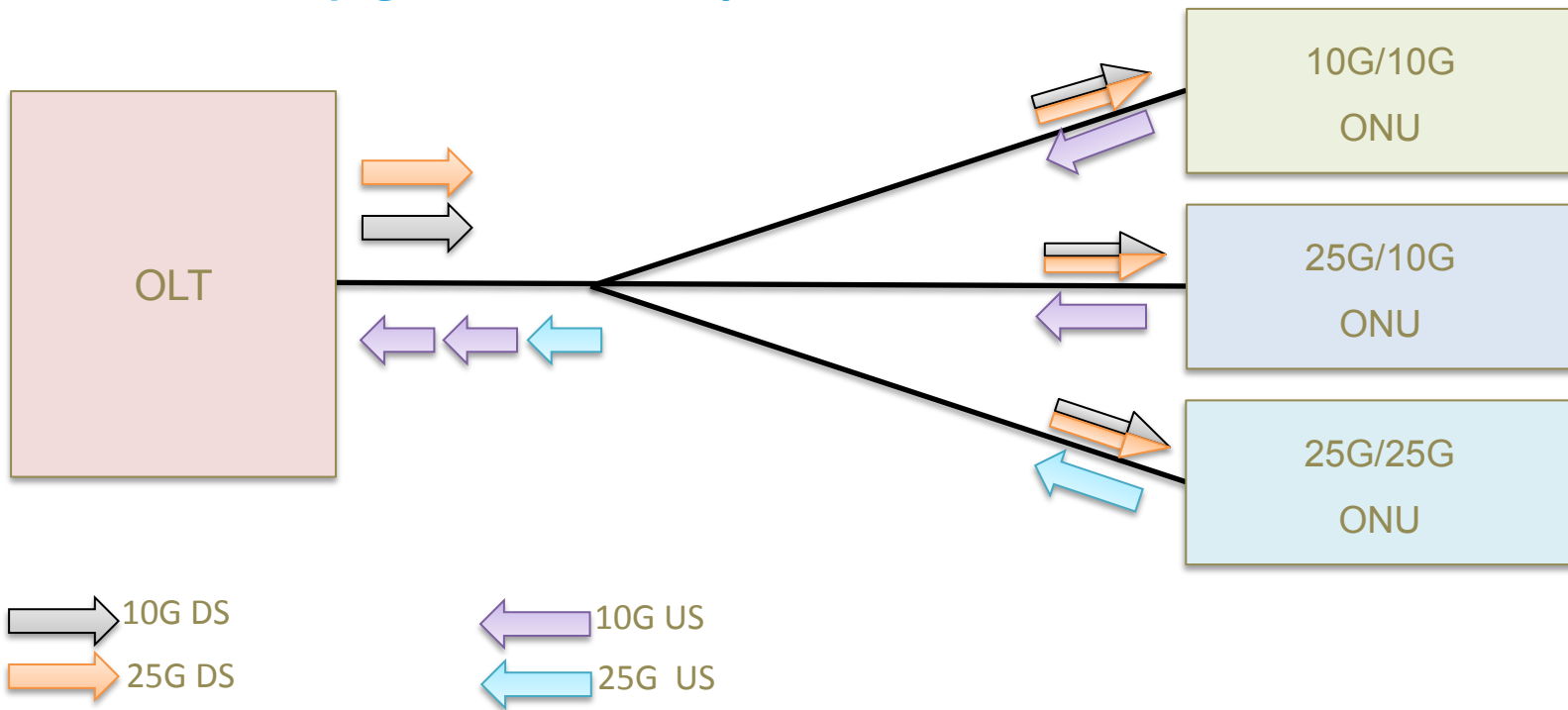
Note:  
Each ONU receives the correct downstream signal from the wavelength.

# Dual rate asymmetric 25G-EPON OLT

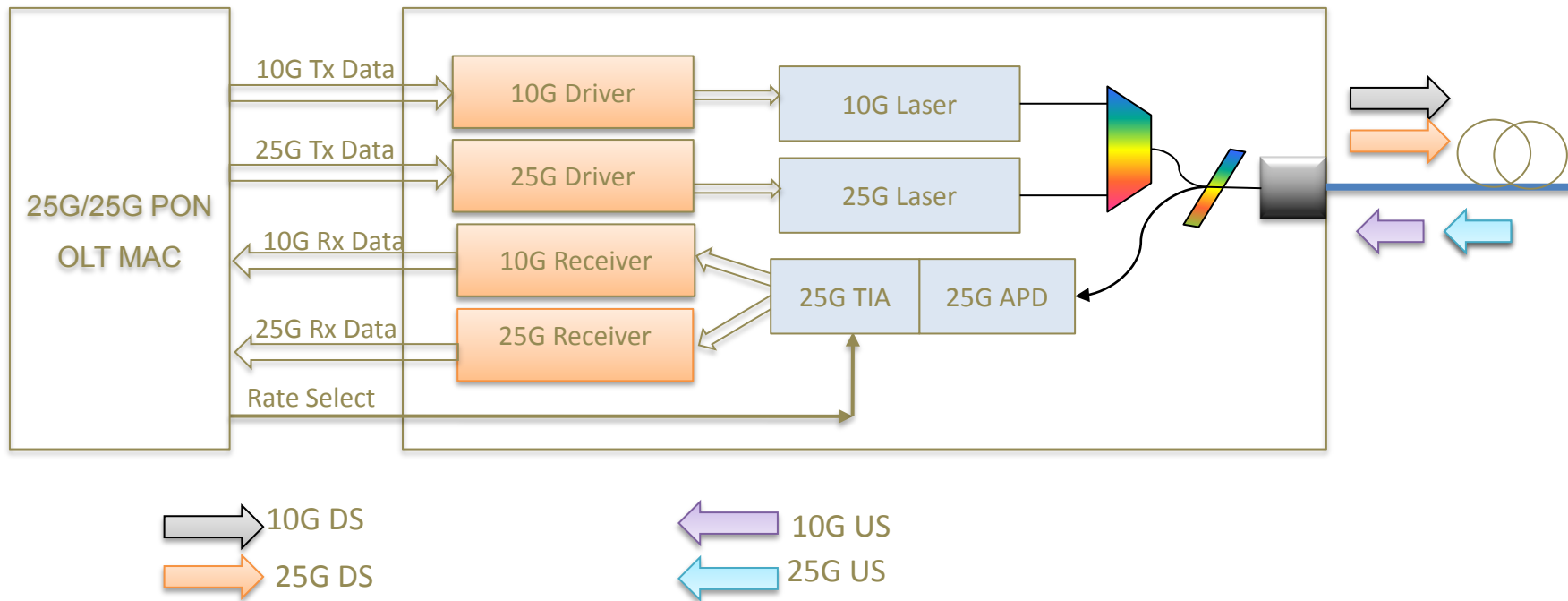


# Proposal 2

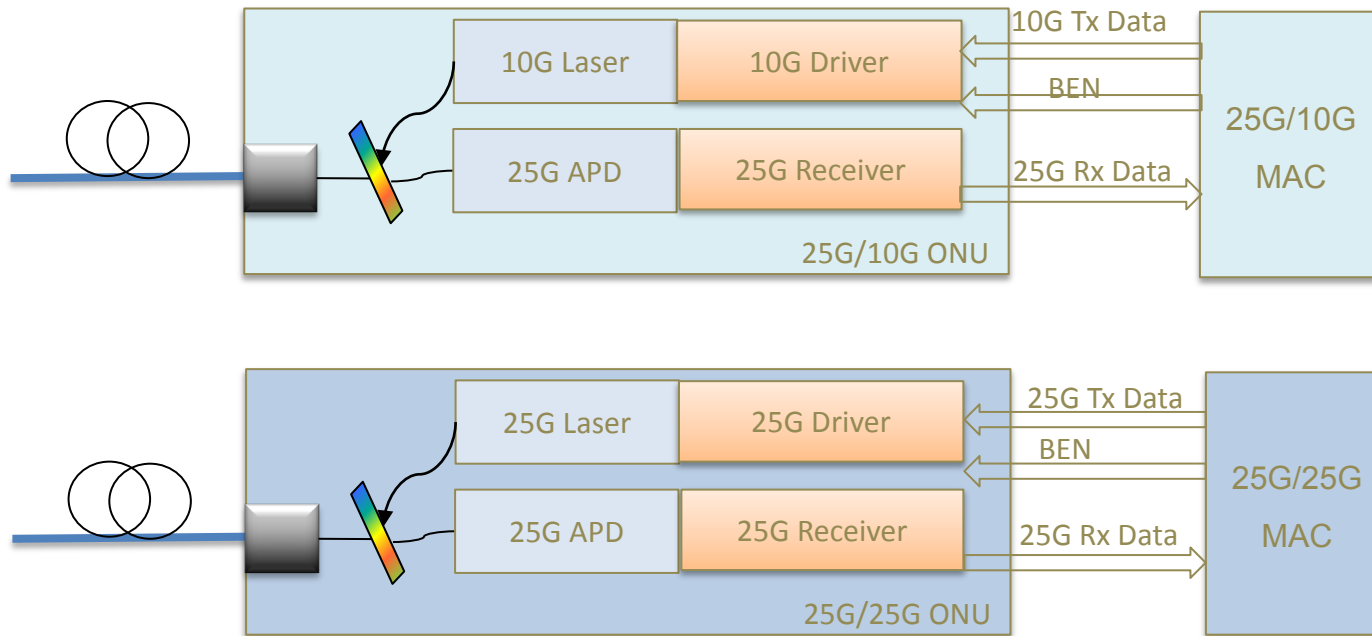
## 10G-EPON upgrades to symmetric 25G-EPON



# Dual rate symmetric 25G-EPON OLT



# 25G-EPON ONU



# Conclusion

Examples of dual rate 25G-EPON OLT and ONU are given.

Wavelength plan should comply with the final NG-EPON wavelength plan.



# Thank you



Tomorrow never waits

