



NOKIA

Proposed changes to 802.3ca - D2.0
PMA figures 142-19 & 142-20

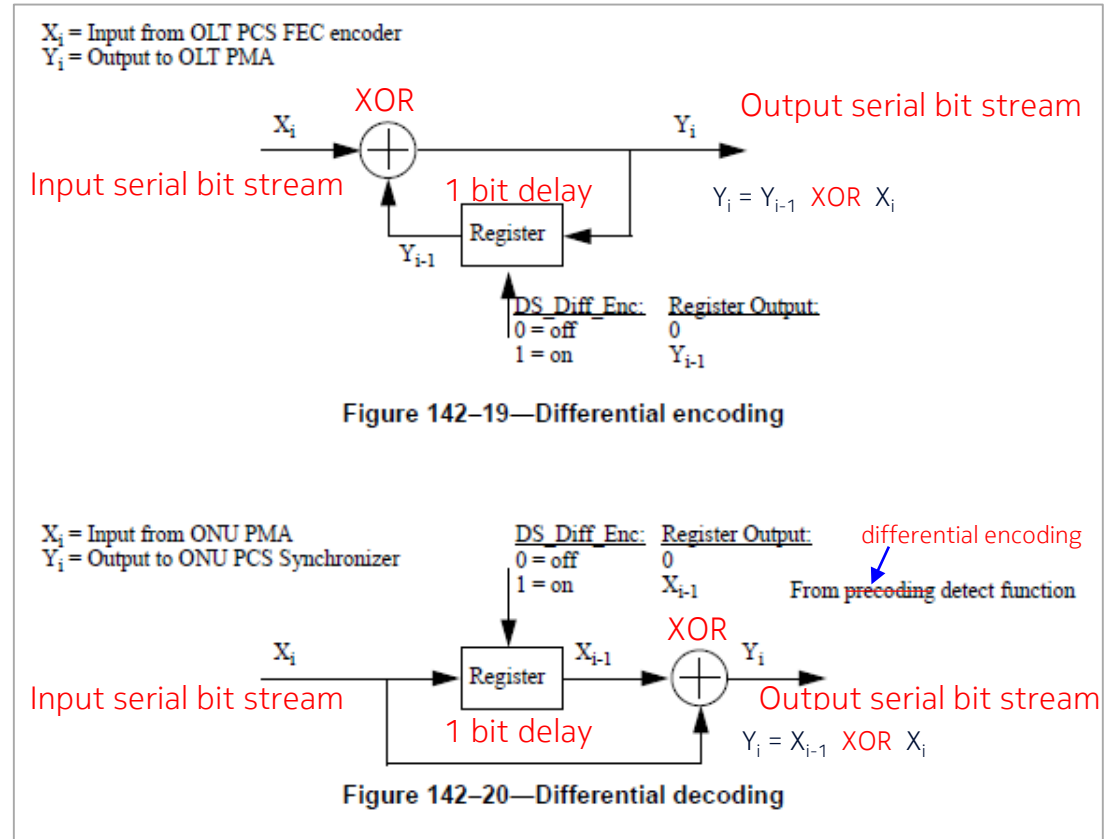
Rev. 1a

Bill Powell - FN CTO Group, Raleigh

July, 2019

Proposed changes to D2.0 PMA Figures 142-19 & 142-20

- Propose to add notes to Figures 142-19 and 142-20 to address concerns raised in comment #387



Current D2.0 PMA figures (black) & proposed changes (Red)



NOKIA