

# COM 2.40 with 100GEL Configurations Suggestions

Richard Mellitz, Samtec

July 25, 2018, Ad Hoc

# COM 2.40

Adds long FFE capability

3 sample configurations

❑ 100 G KR PAM4 Long DFE example

- [config\\_com\\_ieee8023\\_93a=100GEL-KR\\_DFE\\_prop1.xls](#)

❑ 100 G KR PAM4 example with Rx FFE

- [config\\_com\\_ieee8023\\_93a=100GEL-KR\\_DFE1\\_RxFFE\\_prop1.xls](#)

❑ 100 G C2M PAM4 informative example:

Tx FFE and Rx FFE (TP0 to TP2)

- [config\\_com\\_ieee8023\\_93a=100GEL\\_C2M\\_tp0\\_tp2\\_prop1.xls](#)

# 100 G KR PAM4 Long DFE example

| Table 93A-1 parameters |                 |       |                     |
|------------------------|-----------------|-------|---------------------|
| Parameter              | Setting         | Units | Information         |
| f_b                    | 53.125          | GBd   |                     |
| f_min                  | 0.05            | GHz   |                     |
| Delta_f                | 0.01            | GHz   |                     |
| C_d                    | [1.1e-4 1.1e-4] | nF    | [TX RX]             |
| z_p select             | [ 1 2 ]         |       | [test cases to run] |
| z_p (TX)               | [12 30]         | mm    | [test cases]        |
| z_p (NEXT)             | [12 30]         | mm    | [test cases]        |
| z_p (FEXT)             | [12 30]         | mm    | [test cases]        |
| z_p (RX)               | [12 30]         | mm    | [test cases]        |
| C_p                    | [0.9e-4 0.9e-4] | nF    | [TX RX]             |
| R_0                    | 50              | Ohm   |                     |
| R_d                    | [ 45 45]        | Ohm   | [TX RX]             |
| A_v                    | 0.41            | V     |                     |
| A_fe                   | 0.41            | V     |                     |
| A_ne                   | 0.6             | V     |                     |
| L                      | 4               |       |                     |
| M                      | 32              |       |                     |
| filter and Eq          |                 |       |                     |
| f_r                    | 0.75            | *fb   |                     |
| c(0)                   | 0.6             |       | min                 |
| c(-1)                  | [-0.25:0.05:0]  |       | [min:step:max]      |
| c(-2)                  | [0:0.025:0.1]   |       | [min:step:max]      |
| c(-3)                  | 0               |       | [min:step:max]      |
| c(-4)                  | 0               |       | [min:step:max]      |
| c(1)                   | 0               |       | [min:step:max]      |
| N_b                    | 24              | UI    |                     |
| b_max(1)               | 0.7             |       |                     |
| b_max(2..N_b)          | 0.2             |       |                     |
| g_DC                   | [-20:1:-10]     | dB    | [min:step:max]      |
| f_z                    | 21.25           | GHz   |                     |
| f_p1                   | 21.25           | GHz   |                     |
| f_p2                   | 53.125          | GHz   |                     |
| g_DC_HP                | [-6:1:-3]       |       | [min:step:max]      |
| f_HP_PZ                | 0.6640625       | GHz   |                     |
| ffe_pre_tap_len        | 0               | UI    |                     |
| ffe_post_tap_len       | 0               | UI    |                     |

| I/O control        |                             |         |
|--------------------|-----------------------------|---------|
| DIAGNOSTICS        | 1                           | logical |
| DISPLAY_WINDOW     | 1                           | logical |
| CSV_REPORT         | 1                           | logical |
| RESULT_DIR         | .\results\100GEL_WG_{date}\ |         |
| SAVE_FIGURES       | 0                           | logical |
| Port Order         | [1 3 2 4]                   |         |
| RUNTAG             | KR_DFE_                     |         |
| COM_CONTRIBUTION   | 0                           | logical |
| Operational        |                             |         |
| COM Pass threshold | 3                           | dB      |
| DER_0              | 1.00E-04                    |         |
| Include PCB        | 0                           | Value   |
| T_r                | 6.16E-03                    | ns      |
| FORCE_TR           | 1                           | logical |

| TDR and ERL options |          |         |
|---------------------|----------|---------|
| TDR                 | 1        | logical |
| ERL                 | 1        | logical |
| ERL_ONLY            | 0        | logical |
| TR_TDR              | 0.01     | ns      |
| N                   | 1000     |         |
| TDR_Butterworth     | 1        | logical |
| beta_x              | 1.70E+09 |         |
| rho_x               | 0.18     |         |
| fixture delay time  | 0        |         |
| Receiver testing    |          |         |
| RX_CALIBRATION      | 0        | logical |
| Sigma BBN step      | 5.00E-03 | V       |

| Noise, jitter |          |         |
|---------------|----------|---------|
| sigma_RJ      | 0.01     | UI      |
| A_DD          | 0.02     | UI      |
| eta_0         | 8.20E-09 | V^2/GHz |
| SNR_TX        | 33       | dB      |
| R_LM          | 0.95     |         |

| Table 93A-3 parameters  |                       |               |
|-------------------------|-----------------------|---------------|
| Parameter               | Setting               | Units         |
| package_tl_gamma0_a1_a2 | [0 1.734e-3 1.455e-4] |               |
| package_tl_tau          | 6.141E-03             | ns/mm         |
| package_Z_c             | 90                    | Ohm (tdr sel) |

| Table 92-12 parameters |                       |       |
|------------------------|-----------------------|-------|
| Parameter              | Setting               |       |
| board_tl_gamma0_a1_a2  | [0 4.114e-4 2.547e-4] |       |
| board_tl_tau           | 6.191E-03             | ns/mm |
| board_Z_c              | 110                   | Ohm   |
| z_bp (TX)              | 151                   | mm    |
| z_bp (NEXT)            | 72                    | mm    |
| z_bp (FEXT)            | 72                    | mm    |
| z_bp (RX)              | 151                   | mm    |

# 100 G KR PAM4 example: 2 precursor Tx FFE taps, 24 DFE taps, and CTF

| filter and Eq    |                |     |                |
|------------------|----------------|-----|----------------|
| f_r              | 0.75           | *fb |                |
| c(0)             | 0.6            |     | min            |
| c(-1)            | [-0.25:0.05:0] |     | [min:step:max] |
| c(-2)            | [0:0.025:0.1]  |     | [min:step:max] |
| c(-3)            | 0              |     | [min:step:max] |
| c(-4)            | 0              |     | [min:step:max] |
| c(1)             | 0              |     | [min:step:max] |
| N_b              | 24             | UI  |                |
| b_max(1)         | 0.7            |     |                |
| b_max(2..N_b)    | 0.2            |     |                |
| g_DC             | [-20:1:-10]    | dB  | [min:step:max] |
| f_z              | 21.25          | GHz |                |
| f_p1             | 21.25          | GHz |                |
| f_p2             | 53.125         | GHz |                |
| g_DC_HP          | [-6:1:-3]      |     | [min:step:max] |
| f_HP_PZ          | 0.6640625      | GHz |                |
| ffe_pre_tap_len  | 0              | UI  |                |
| ffe_post_tap_len | 0              | UI  |                |

Disables Rx FFE

| Noise, jitter |          |                     |
|---------------|----------|---------------------|
| sigma_RJ      | 0.01     | UI                  |
| A_DD          | 0.02     | UI                  |
| eta_0         | 8.20E-09 | V <sup>2</sup> /GHz |
| SNR_TX        | 33       | dB                  |
| R_LM          | 0.95     |                     |

# Proposed COM reference Model with Rx FFE

Base on Method 3\* slide 3  
 Configurations for Gain at cursor,  
 and quantized DFE method not considered here

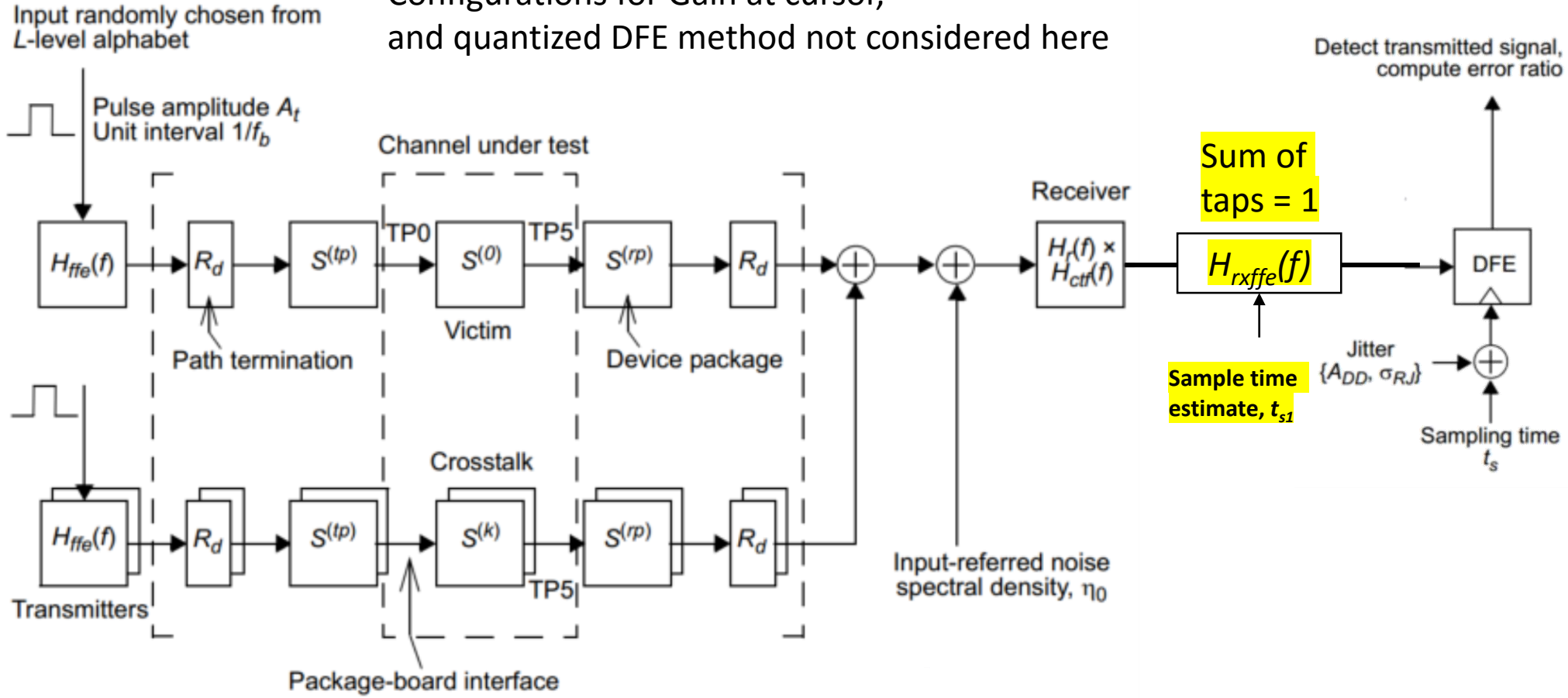


Figure 93A-1—COM reference model

\* [http://www.ieee802.org/3/ck/public/18\\_07/mellitz\\_3ck\\_01\\_0718.pdf](http://www.ieee802.org/3/ck/public/18_07/mellitz_3ck_01_0718.pdf)

# 100 G KR PAM4 example with Rx FFE

| Parameter            | Setting         | Units | Information         |
|----------------------|-----------------|-------|---------------------|
| f_b                  | 53.125          | GBd   |                     |
| f_min                | 0.05            | GHz   |                     |
| Delta_f              | 0.01            | GHz   |                     |
| C_d                  | [1.1e-4 1.1e-4] | nF    | [TX RX]             |
| z_p select           | [ 1 2 ]         |       | [test cases to run] |
| z_p (TX)             | [12 30]         | mm    | [test cases]        |
| z_p (NEXT)           | [12 30]         | mm    | [test cases]        |
| z_p (FEXT)           | [12 30]         | mm    | [test cases]        |
| z_p (RX)             | [12 30]         | mm    | [test cases]        |
| C_p                  | [0.9e-4 0.9e-4] | nF    | [TX RX]             |
| R_0                  | 50              | Ohm   |                     |
| R_d                  | [ 45 45]        | Ohm   | [TX RX]             |
| A_v                  | 0.41            | V     |                     |
| A_fe                 | 0.41            | V     |                     |
| A_ne                 | 0.6             | V     |                     |
| L                    | 4               |       |                     |
| M                    | 32              |       |                     |
| <b>filter and Eq</b> |                 |       |                     |
| f_r                  | 0.75            | *fb   |                     |
| c(0)                 | 0.6             |       | min                 |
| c(-1)                | [-0.25:0.05:0]  |       | [min:step:max]      |
| c(-2)                | [0:0.025:0.1]   |       | [min:step:max]      |
| c(-3)                | 0               |       | [min:step:max]      |
| c(-4)                | 0               |       | [min:step:max]      |
| c(1)                 | 0               |       | [min:step:max]      |
| N_b                  | 1               | UI    |                     |
| b_max(1)             | 0.7             |       |                     |
| g_DC                 | [-20:1:-10]     | dB    | [min:step:max]      |
| f_z                  | 21.25           | GHz   |                     |
| f_p1                 | 21.25           | GHz   |                     |
| f_p2                 | 53.125          | GHz   |                     |
| g_DC_HP              | [-6:1:-3]       |       | [min:step:max]      |
| f_HP_PZ              | 0.6640625       | GHz   |                     |
| ffe_pre_tap_len      | 3               | UI    |                     |
| ffe_post_tap_len     | 24              | UI    |                     |

|                    |                             |         |
|--------------------|-----------------------------|---------|
| DIAGNOSTICS        | 1                           | logical |
| DISPLAY_WINDOW     | 1                           | logical |
| CSV_REPORT         | 1                           | logical |
| RESULT_DIR         | .\results\100GEL_WG_{date}\ |         |
| SAVE_FIGURES       | 0                           | logical |
| Port Order         | [1 3 2 4]                   |         |
| RUNTAG             | KR_DFE1_RxFFE               |         |
| COM_CONTRIBUTION   | 0                           | logical |
| <b>Operational</b> |                             |         |
| COM Pass threshold | 3                           | dB      |
| DER_0              | 1.00E-04                    |         |
| Include PCB        | 0                           | Value   |
| T_r                | 6.16E-03                    | ns      |
| FORCE_TR           | 1                           | logical |

| TDR and ERL options     |          |         |
|-------------------------|----------|---------|
| TDR                     | 1        | logical |
| ERL                     | 1        | logical |
| ERL_ONLY                | 0        | logical |
| TR_TDR                  | 0.01     | ns      |
| N                       | 1000     |         |
| TDR_Butterworth         | 1        | logical |
| beta_x                  | 1.70E+09 |         |
| rho_x                   | 0.18     |         |
| fixture delay time      | 0        |         |
| <b>Receiver testing</b> |          |         |
| RX_CALIBRATION          | 0        | logical |
| Sigma BBN step          | 5.00E-03 | V       |

| Noise, jitter |          |         |
|---------------|----------|---------|
| sigma_RJ      | 0.01     | UI      |
| A_DD          | 0.02     | UI      |
| eta_0         | 8.20E-09 | V^2/GHz |
| SNR_TX        | 33       | dB      |
| R_LM          | 0.95     |         |

| Parameter               | Setting               | Units         |
|-------------------------|-----------------------|---------------|
| package_tl_gamma0_a1_a2 | [0 1.734e-3 1.455e-4] |               |
| package_tl_tau          | 6.141E-03             | ns/mm         |
| package_Z_c             | 90                    | Ohm (tdr sel) |

| Table 92-12 parameters |                       |       |
|------------------------|-----------------------|-------|
| Parameter              | Setting               |       |
| board_tl_gamma0_a1_a2  | [0 4.114e-4 2.547e-4] |       |
| board_tl_tau           | 6.191E-03             | ns/mm |
| board_Z_c              | 110                   | Ohm   |
| z_bp (TX)              | 151                   | mm    |
| z_bp (NEXT)            | 72                    | mm    |
| z_bp (FEXT)            | 72                    | mm    |
| z_bp (RX)              | 151                   | mm    |

# 100 G KR PAM4 example: 2 precursor Tx FFE taps, 1 DFE, 24 Rx FFE taps, and CTF

| filter and Eq           |                |           |                |
|-------------------------|----------------|-----------|----------------|
| f_r                     | 0.75           | *fb       |                |
| c(0)                    | 0.6            |           | min            |
| c(-1)                   | [-0.25:0.05:0] |           | [min:step:max] |
| c(-2)                   | [0:0.025:0.1]  |           | [min:step:max] |
| c(-3)                   | 0              |           | [min:step:max] |
| c(-4)                   | 0              |           | [min:step:max] |
| c(1)                    | 0              |           | [min:step:max] |
| N_b                     | 1              | UI        |                |
| b_max(1)                | 0.7            |           |                |
| g_DC                    | [-20:1:-10]    | dB        | [min:step:max] |
| f_z                     | 21.25          | GHz       |                |
| f_p1                    | 21.25          | GHz       |                |
| f_p2                    | 53.125         | GHz       |                |
| g_DC_HP                 | [-6:1:-3]      |           | [min:step:max] |
| f_HP_PZ                 | 0.6640625      | GHz       |                |
| <b>ffe_pre_tap_len</b>  | <b>3</b>       | <b>UI</b> |                |
| <b>ffe_post_tap_len</b> | <b>24</b>      | <b>UI</b> |                |

3 Pre Cursor  
/ 24 Post Cursors

| Noise, jitter |          |                     |
|---------------|----------|---------------------|
| sigma_RJ      | 0.01     | UI                  |
| A_DD          | 0.02     | UI                  |
| eta_0         | 8.20E-09 | V <sup>2</sup> /GHz |
| SNR_TX        | 33       | dB                  |
| R_LM          | 0.95     |                     |

# 100 G C2M PAM4 informative example: Tx FFE and Rx FFE (TPO to TP2)

| Table 93A-1 parameters |                 |       |                     |
|------------------------|-----------------|-------|---------------------|
| Parameter              | Setting         | Units | Information         |
| f_b                    | 53.125          | GBd   |                     |
| f_min                  | 0.05            | GHz   |                     |
| Delta_f                | 0.01            | GHz   |                     |
| C_d                    | [1.1e-4 0]      | nF    | [TX RX]             |
| z_p select             | [ 1 ]           |       | [test cases to run] |
| z_p (TX)               | [12 30]         | mm    | [test cases]        |
| z_p (NEXT)             | [ 0 0 ]         | mm    | [test cases]        |
| z_p (FEXT)             | [12 30]         | mm    | [test cases]        |
| z_p (RX)               | [ 0 0 ]         | mm    | [test cases]        |
| C_p                    | [0.9e-4 0.9e-4] | nF    | [TX RX]             |
| R_0                    | 50              | Ohm   |                     |
| R_d                    | [ 45 45 ]       | Ohm   | [TX RX]             |
| A_v                    | 0.41            | V     |                     |
| A_fe                   | 0.41            | V     |                     |
| A_ne                   | 0.6             | V     |                     |
| L                      | 4               |       |                     |
| M                      | 32              |       |                     |
| filter and Eq          |                 |       |                     |
| f_r                    | 0.75            | *fb   |                     |
| c(0)                   | 0.6             |       | min                 |
| c(-1)                  | [-0.25:0.025:0] |       | [min:step:max]      |
| c(-2)                  | [0:0.025:0.1]   |       | [min:step:max]      |
| c(-3)                  | [-0.1:0.025:0]  |       | [min:step:max]      |
| c(-4)                  | 0               |       | [min:step:max]      |
| c(1)                   | 0               |       | [min:step:max]      |
| N_b                    | 0               | UI    |                     |
| b_max(1)               | 0.7             |       |                     |
| g_DC                   | [-15:1:-10]     | dB    | [min:step:max]      |
| f_z                    | 21.25           | GHz   |                     |
| f_p1                   | 21.25           | GHz   |                     |
| f_p2                   | 53.125          | GHz   |                     |
| g_DC_HP                | [-4:1:-3]       |       | [min:step:max]      |
| f_HP_PZ                | 0.6640625       | GHz   |                     |
| ffe_pre_tap_len        | 0               | UI    |                     |
| ffe_post_tap_len       | 8               | UI    |                     |

| I/O control        |                             |         |
|--------------------|-----------------------------|---------|
| DIAGNOSTICS        | 1                           | logical |
| DISPLAY_WINDOW     | 1                           | logical |
| CSV_REPORT         | 1                           | logical |
| RESULT_DIR         | .\results\100GEL_WG_{date}\ |         |
| SAVE_FIGURES       | 0                           | logical |
| Port Order         | [1 3 2 4]                   |         |
| RUNTAG             | C2M_DFE1_RxFFE              |         |
| COM_CONTRIBUTION   | 0                           | logical |
| Operational        |                             |         |
| COM Pass threshold | 3                           | dB      |
| EH_min             | 10                          | Value   |
| EH_max             | 1000                        | Value   |
| DER_0              | 1.00E-05                    |         |
| Include PCB        | 0                           | Value   |
| T_r                | 6.16E-03                    | ns      |
| FORCE_TR           | 1                           | logical |

| TDR and ERL options |          |         |
|---------------------|----------|---------|
| TDR                 | 0        | logical |
| ERL                 | 0        | logical |
| ERL_ONLY            | 0        | logical |
| TR_TDR              | 0.01     | ns      |
| N                   | 1000     |         |
| TDR_Butterworth     | 1        | logical |
| beta_x              | 1.70E+09 |         |
| rho_x               | 0.18     |         |
| fixture delay time  | 0        |         |
| Receiver testing    |          |         |
| RX_CALIBRATION      | 0        | logical |
| Sigma BBN step      | 5.00E-03 | V       |

| Noise, jitter |          |         |
|---------------|----------|---------|
| sigma_RJ      | 0.01     | UI      |
| A_DD          | 0.02     | UI      |
| eta_0         | 0.00E+00 | V^2/GHz |
| SNR_TX        | 33       | dB      |
| R_LM          | 0.95     |         |

| Table 93A-3 parameters  |                       |               |
|-------------------------|-----------------------|---------------|
| Parameter               | Setting               | Units         |
| package_tl_gamma0_a1_a2 | [0 1.734e-3 1.455e-4] |               |
| package_tl_tau          | 6.141E-03             | ns/mm         |
| package_Z_c             | 90                    | Ohm (tdr sel) |

| Table 92-12 parameters |                       |       |
|------------------------|-----------------------|-------|
| Parameter              | Setting               | Units |
| board_tl_gamma0_a1_a2  | [0 4.114e-4 2.547e-4] |       |
| board_tl_tau           | 6.191E-03             | ns/mm |
| board_Z_c              | 110                   | Ohm   |
| z_bp (TX)              | 151                   | mm    |
| z_bp (NEXT)            | 72                    | mm    |
| z_bp (FEXT)            | 72                    | mm    |
| z_bp (RX)              | 151                   | mm    |

EH limit  
EH limit



# 100 G C2M PAM4 informative example: 3 Tx pre-cursor FFE taps and 8 Rx FFE post cursor taps, CTF, and no DFE

| filter and Eq           |                 |           |                |
|-------------------------|-----------------|-----------|----------------|
| f_r                     | 0.75            | *fb       |                |
| c(0)                    | 0.6             |           | min            |
| c(-1)                   | [-0.25:0.025:0] |           | [min:step:max] |
| c(-2)                   | [0:0.025:0.1]   |           | [min:step:max] |
| c(-3)                   | [-0.1:0.025:0]  |           | [min:step:max] |
| c(-4)                   | 0               |           | [min:step:max] |
| c(1)                    | 0               |           | [min:step:max] |
| N_b                     | 0               | UI        |                |
| b_max(1)                | 0.7             |           |                |
| g_DC                    | [-15:1:-10]     | dB        | [min:step:max] |
| f_z                     | 21.25           | GHz       |                |
| f_p1                    | 21.25           | GHz       |                |
| f_p2                    | 53.125          | GHz       |                |
| g_DC_HP                 | [-4:1:-3]       |           | [min:step:max] |
| f_HP_PZ                 | 0.6640625       | GHz       |                |
| <b>ffe_pre_tap_len</b>  | <b>0</b>        | <b>UI</b> |                |
| <b>ffe_post_tap_len</b> | <b>8</b>        | <b>UI</b> |                |

| Operational        |          |       |
|--------------------|----------|-------|
| COM Pass threshold | 3        | dB    |
| EH_min             | 10       | Value |
| EH_max             | 1000     | Value |
| DER_0              | 1.00E-05 |       |

Do we need to check EH too?

3 pre cursors

No DFE

8 Post Cursors

| Noise, jitter |          |                     |
|---------------|----------|---------------------|
| sigma_RJ      | 0.01     | UI                  |
| A_DD          | 0.02     | UI                  |
| eta_0         | 0.00E+00 | V <sup>2</sup> /GHz |
| SNR_TX        | 33       | dB                  |
| R_LM          | 0.95     |                     |

# Other options may be explored

- ❑ More or less of any of the prior values may be explored
- ❑ Options abandoned because they are part of the COM limit as a receiver design prerogative

|                     |
|---------------------|
| ffe_tap_step_size   |
| ffe_main_cursor_min |
| ffe_pre_tap1_max    |
| ffe_post_tap1_max   |
| ffe_tapn_max        |

Thank You!