

Proposed modification to clause 150.5.1 PMD block diagram

Figure 200-2-Block diagram for 400GBASE-SR4.2 transmit/receive paths

Rick Pimpinella
Panduit Corporation

IEEE P802.3cm 400 Gb/s over Multimode Fiber Task Force
Vancouver, March 2019

Current Figure

This figure is under specified for bidirectional transmission, does not relate wavelengths to lanes

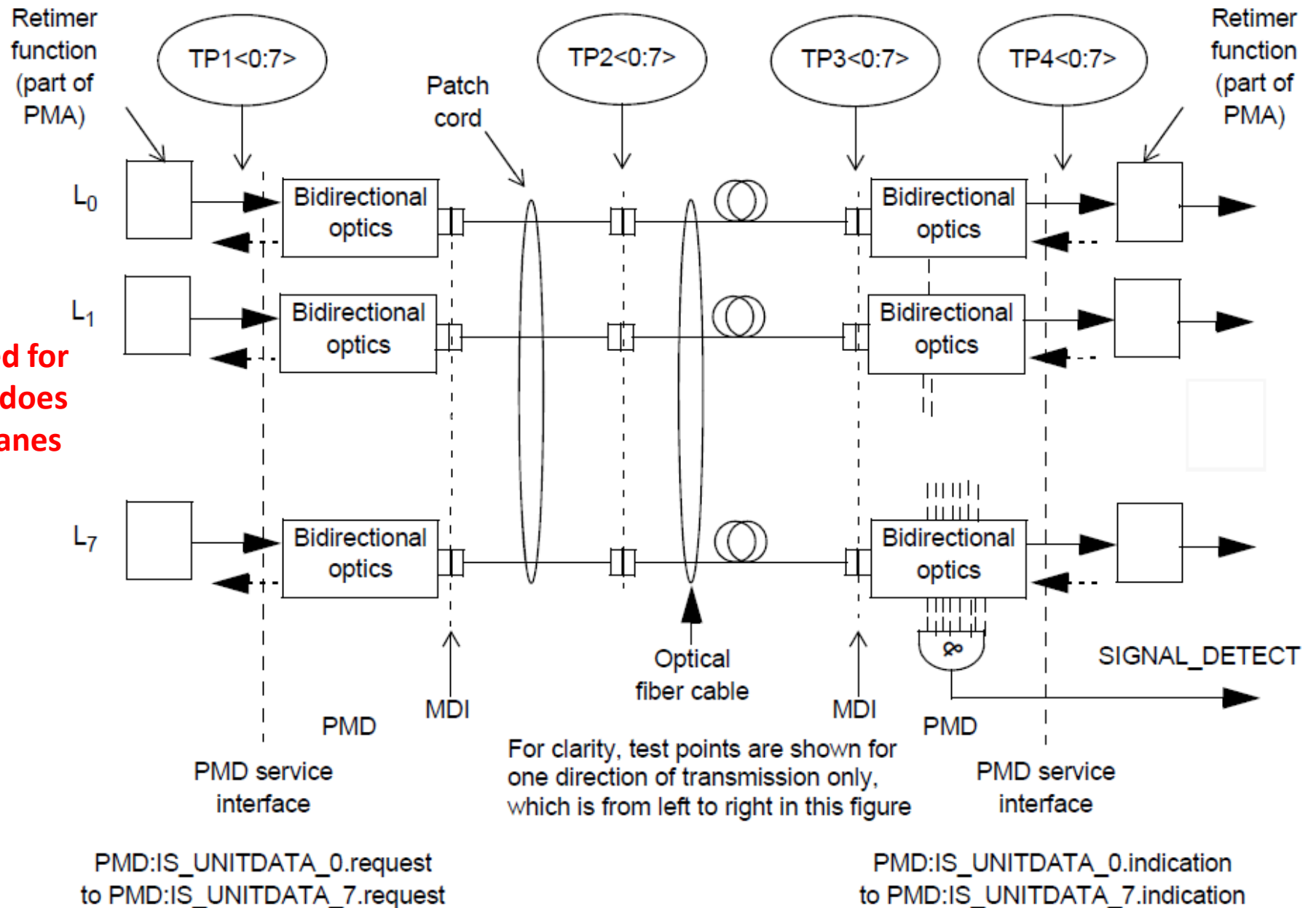
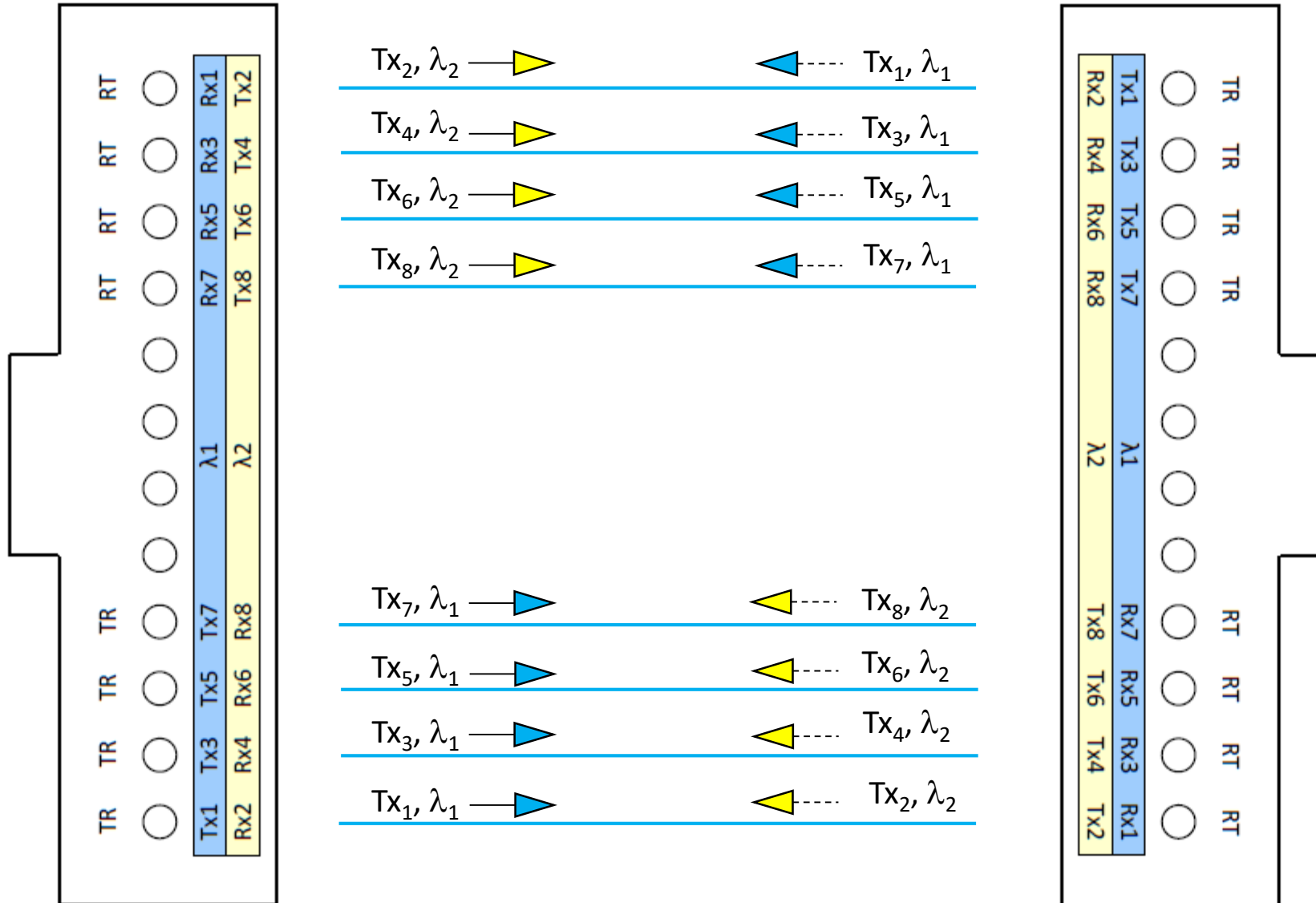


Figure 200-2—Block diagram for 400GBASE-SR4.2 transmit/receive paths

MPO Interconnection scenario



Proposed Figure

