

159. Physical Medium Dependent (PMD) sublayer and medium, types 25GBASE-BLR, 25GBASE-BMR, and 25GBASE-BER

Figure 159-1—placeholder

Editor's Note: If needed a referenced to PMD Table can be added to clarify " λ Under Test"

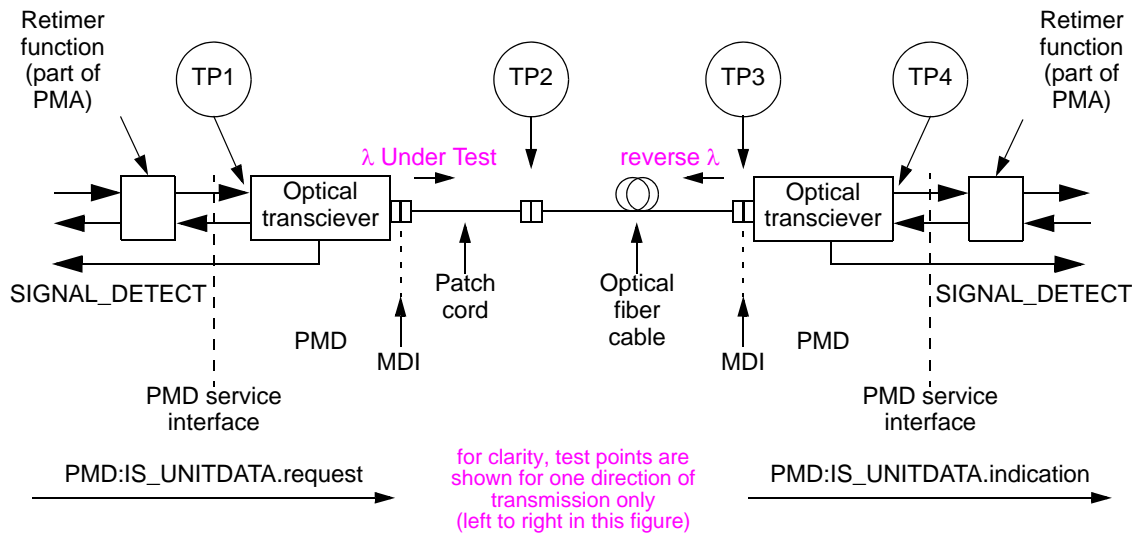


Figure 159-2—Block diagram for 25GBASE-BxR transmit/receive paths

1
2
3
4
5
6
7
8
9
10
11
12
13
14
15
16
17
18
19
20
21
22
23
24
25
26
27
28
29
30
31
32
33
34
35
36
37
38
39
40
41
42
43
44
45
46
47
48
49
50
51
52
53
54