

IEEE P802.3ct Task Force:
100 Gb/s over DWDM Systems

IEEE P802.3cw Task Force:
400 Gb/s over DWDM Systems

Opening Report

John D'Ambrosia

Futurewei, U.S. Subsidiary of Huawei
IEEE 802 Nov 2020 Electronic Plenary

Nov 12, 2020

IEEE P802.3ct Task Force Project information

Task Force Organization

- John D'Ambrosia, Chair, IEEE P802.3ct Task Force
- Editorial Team
 - Tom Issenhuth – Chief Editor
 - Peter Stassar – 100 GbE Optical PHY Clause
 - Steve Trowbridge - 100 GbE PCS/FEC/PMA Extender Clauses
- Task force web and reflector information
 - Reflector: <http://www.ieee802.org/3/ct/reflector.html>
 - Home page: <http://www.ieee802.org/3/ct/index.html>
- Project Documentation –
 - PAR : http://www.ieee802.org/3/ct/ProjDoc/P802.3ct_200215.pdf
 - CSD: <http://www.ieee802.org/3/ct/ProjDoc/ec-18-0249-01-ACSD-p802-3ct.pdf>
 - Objectives: http://www.ieee802.org/3/ct/ProjDoc/3ct_Objectives_190911.pdf
 - Timeline: http://www.ieee802.org/3/ct/ProjDoc/timeline_3ct_200121.pdf
- Ad Hoc page: <http://www.ieee802.org/3/ct/public/adhoc/index.html>

IEEE P802.3cw Task Force Project information

Task Force Organization

- John D'Ambrosia, Chair, IEEE P802.3ct Task Force
- Editorial Team
 - Tom Issenhuth – Chief Editor, 400 GbE Optical PHY Clause
 - David Lewis - 400 GbE PCS/PMA Clauses
- Task force web and reflector information
 - Reflector: <http://www.ieee802.org/3/ct/reflector.html>
 - Home page: <http://www.ieee802.org/3/cw/index.html>
- Project Documentation –
 - PAR : http://www.ieee802.org/3/cw/proj_doc/P802d3cw_PAR.pdf
 - CSD: <https://mentor.ieee.org/802-ec/dcn/19/ec-19-0219-00-ACSD-p802-3cw.pdf>
 - Objectives: http://www.ieee802.org/3/cw/proj_doc/3cw_Objectives_190911.pdf
 - Timeline: https://www.ieee802.org/3/cw/proj_doc/timeline_3cw_200402.pdf
- Ad Hoc page: <http://www.ieee802.org/3/ct/public/adhoc/index.html>

Activities Since Jul 2020

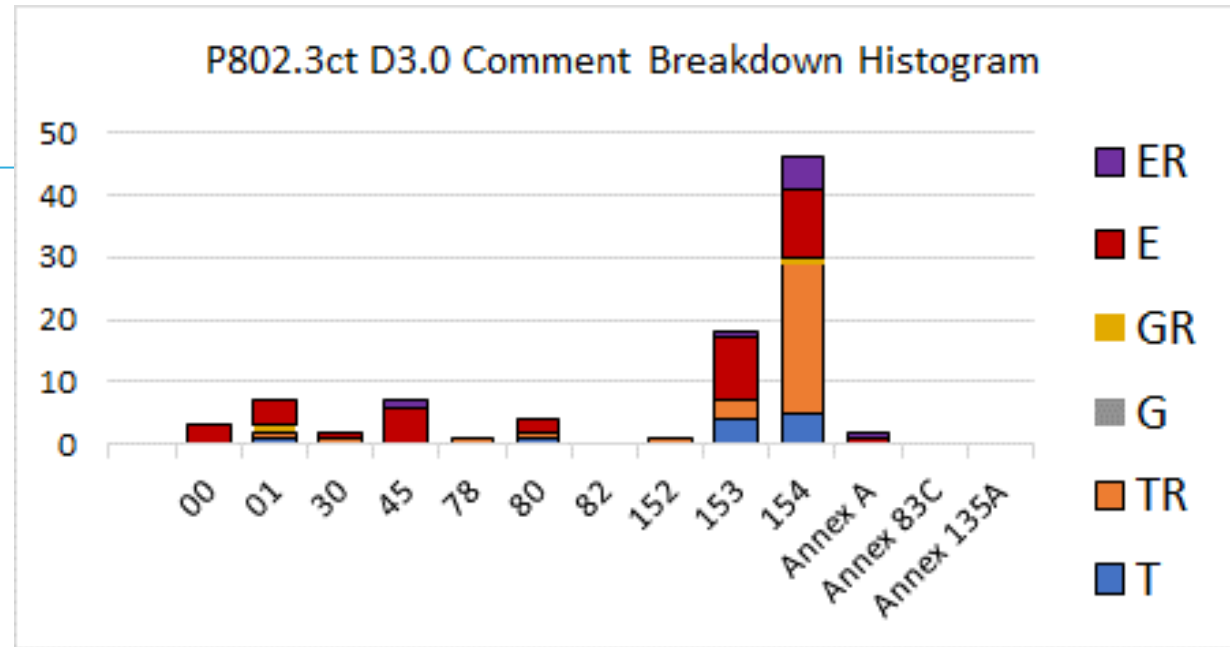
- IEEE P802.3ct / .3cw Sept 2020 Interim - https://www.ieee802.org/3/ct/public/20_09/index.html
- Series of Task Force (.3ct or .3cw) and Joint Task Force (.3ct & .3cw) Interim Teleconference Meetings - See http://www.ieee802.org/3/ct/public/tf_interim/index.html
 - 7/30, 8/6, 8/13, 9/10, 9/17, 10/1, 10/8
- IEEE P802.3ct
 - WG Ballot completed (D2.0, D2.1, D2.2)
 - Initial SA Ballot – Draft 3.0
 - Opened – Oct 7 2020
 - Closed – Nov 9 2020
- IEEE P802.3cw
 - Baseline Refinement

IEEE P802.3ct Initial SA Ballot (D3.0)

- Ballot Open – 10/7/20, Closed 11/9/20
- Ballots
 - 103 Voters
 - 78 Approve
 - 7 Disapprove
 - 1 Disapprove without comment
 - 3 Abstain
 - 89 Ballots returned
- Ballot Return Statistics
 - 86% Response Rate ($\geq 75\%$ required)
 - 3% Abstain Rate ($< 30\%$ required)
 - 91% Approval Rate ($\geq 75\%$ required)

Thanks to all who participated!

Comment Breakdown



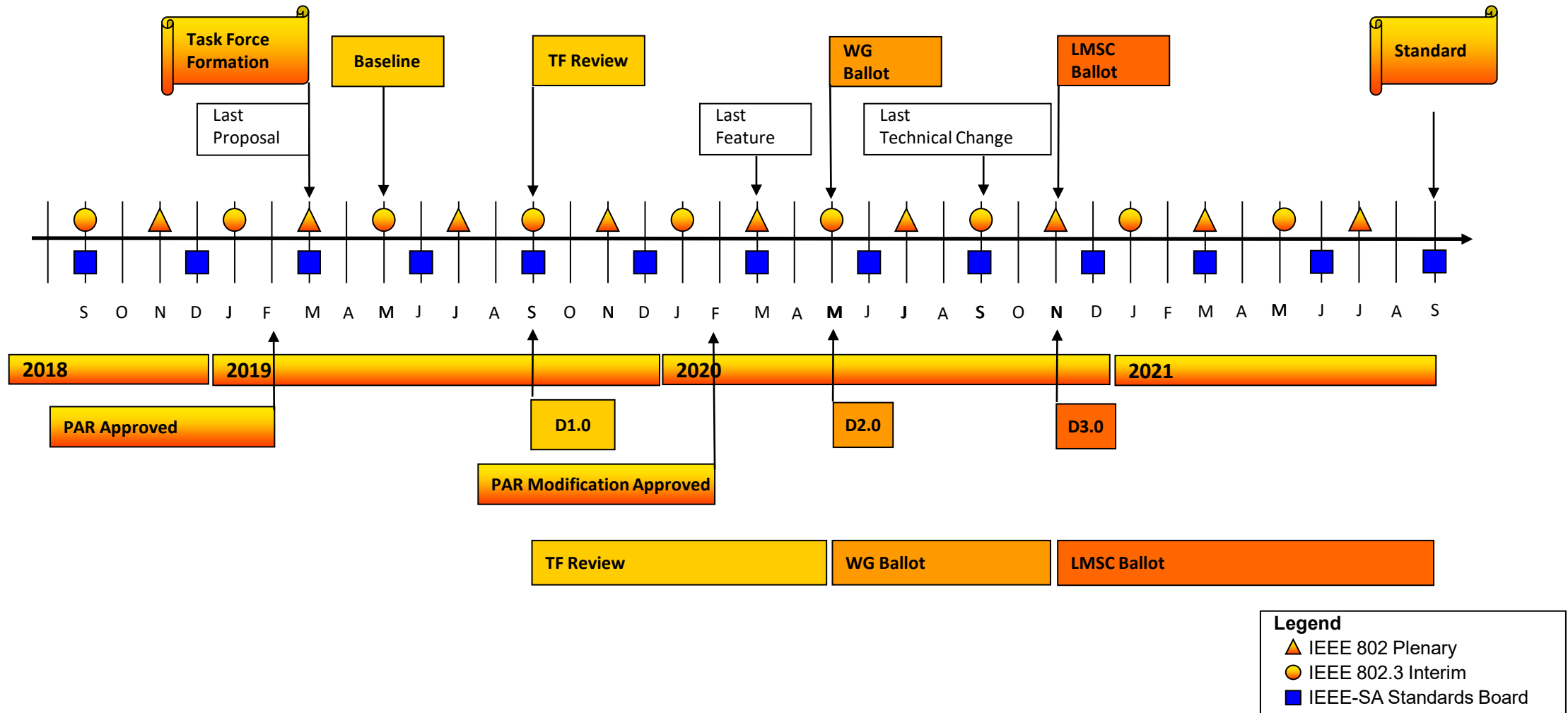
Description	Clause	T	TR	G	GR	E	ER	Total
Front Matter	00					3		3
Introduction	1	1	1		1	4		7
Mgmt	30		1			1		2
Mgmt (MDIO)	45					6	1	7
EEE	78		1					1
Introduction 40/100	80	1	1			2		4
PCS	119							0
Inverse RS-FEC	152		1					1
100GBASE-ZR PMA	153	4	3			10	1	18
100GBASE-ZR PMD	154	5	24		1	11	5	46
Bibliography	Annex A					1	1	2
Total Comments		11	32	0	2	38	8	91

Joint Task Force Meeting Week Plan

- Mon (11/16), 10am to noon
 - Teleconference Access Info –
<https://www.ieee802.org/3/ct/email/msg00524.html>
 - Agenda
 - IEEE P802.3ct –
 - Consideration of comments submitted against D3.0
 - Technical presentation(s)
 - IEEE P802.3cw –
 - Technical presentation(s)
 - Baseline discussion

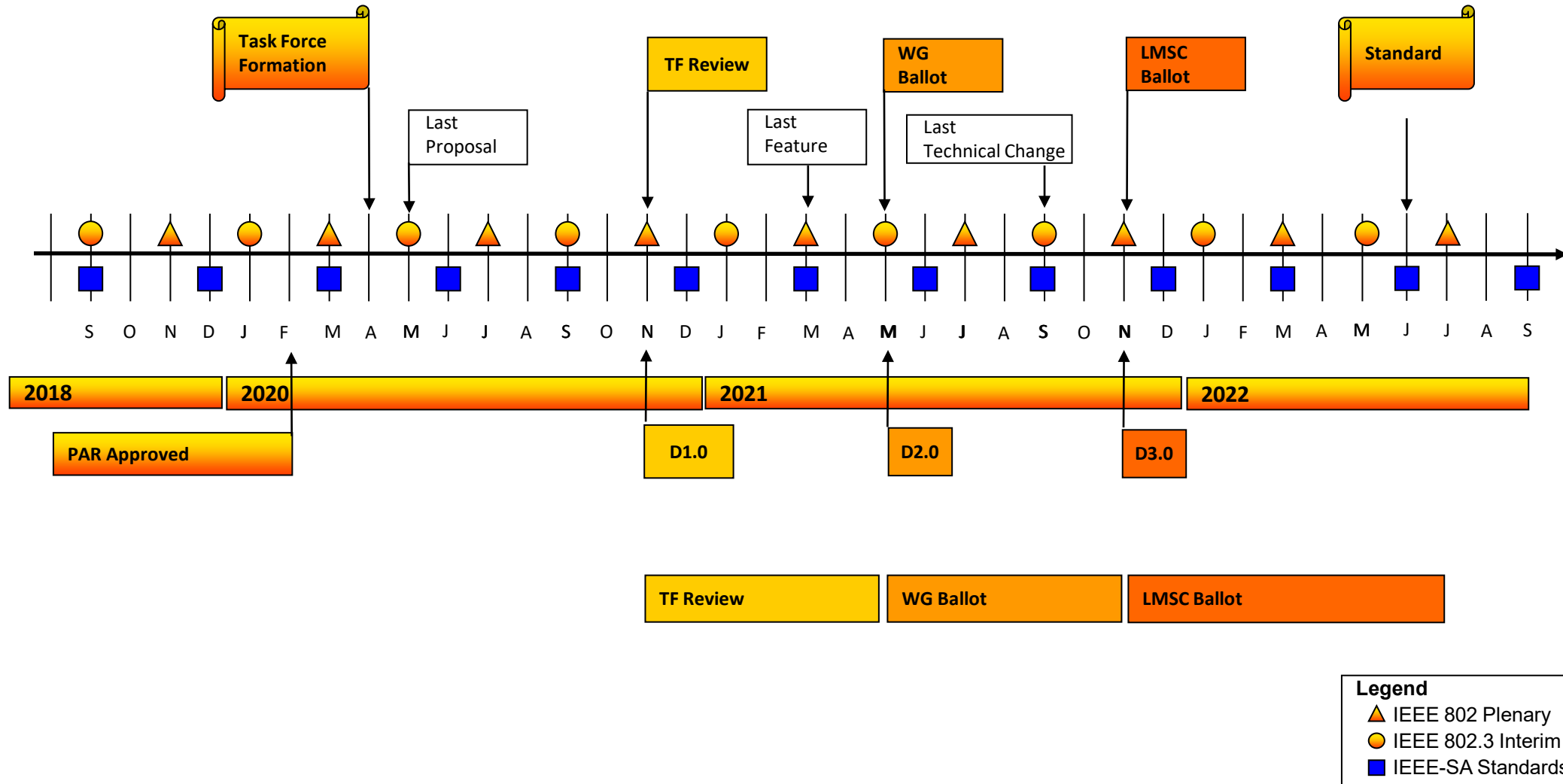
Adopted IEEE P802.3ct Timeline

Adopted –Jan 2020



Adopted IEEE P802.3cw Timeline

Adopted by IEEE P802.3cw TF –02 Apr 2020



Questions?

Thank you!