

IEEE P802.3cw Timeline Discussion

John D'Ambrosia

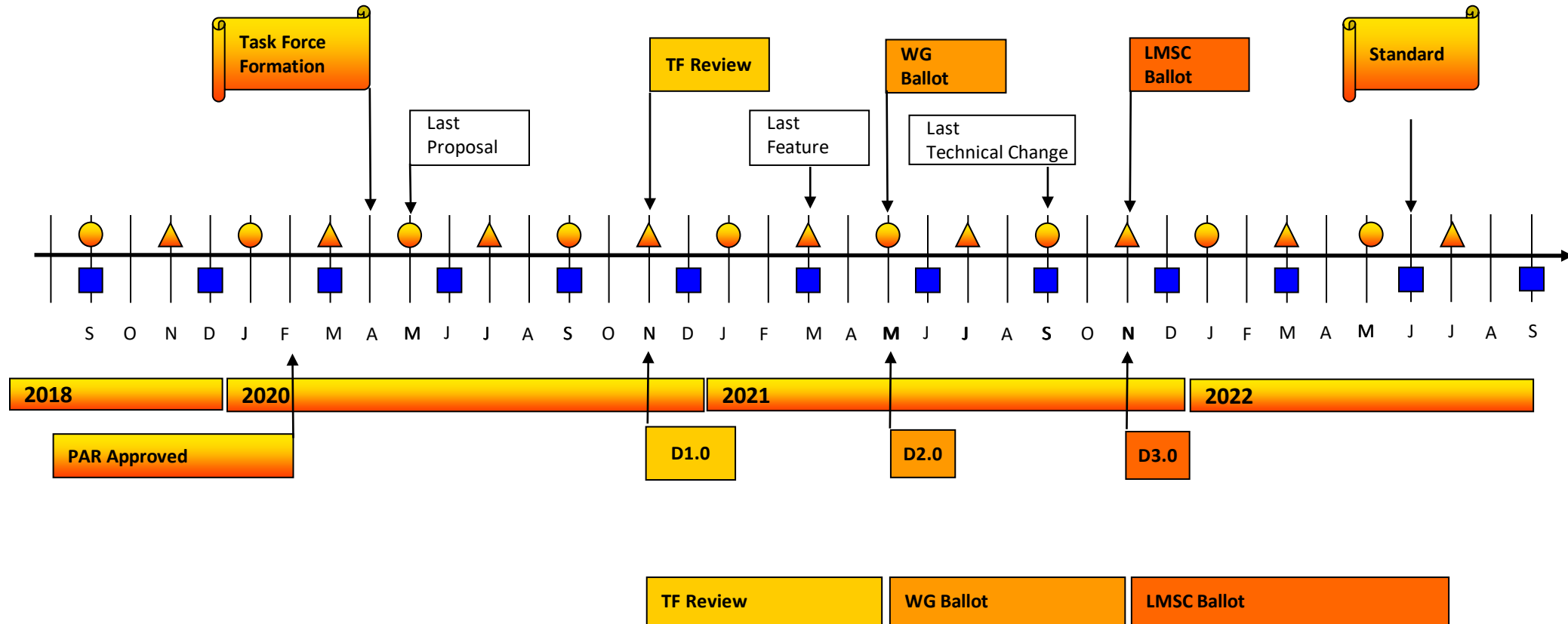
Chair, IEEE P802.3cw Task Force

Futurewei, U.S. Subsidiary of Huawei

March 25, 2021

Joint IEEE P802.3ct / .3cw TF Electronic Meeting

Adopted IEEE P802.3cw Timeline



Legend

- ▲ IEEE 802 Plenary
- IEEE 802.3 Interim
- IEEE-SA Standards Board

Adopted by IEEE P802.3cw TF –02 Apr 2020

Proposed Update to IEEE P802.3cw Timeline

