

IEEE P802.3cw Timeline Discussion

John D'Ambrosia

Chair, IEEE P802.3cw Task Force

Futurewei, U.S. Subsidiary of Huawei

September 27, 2021

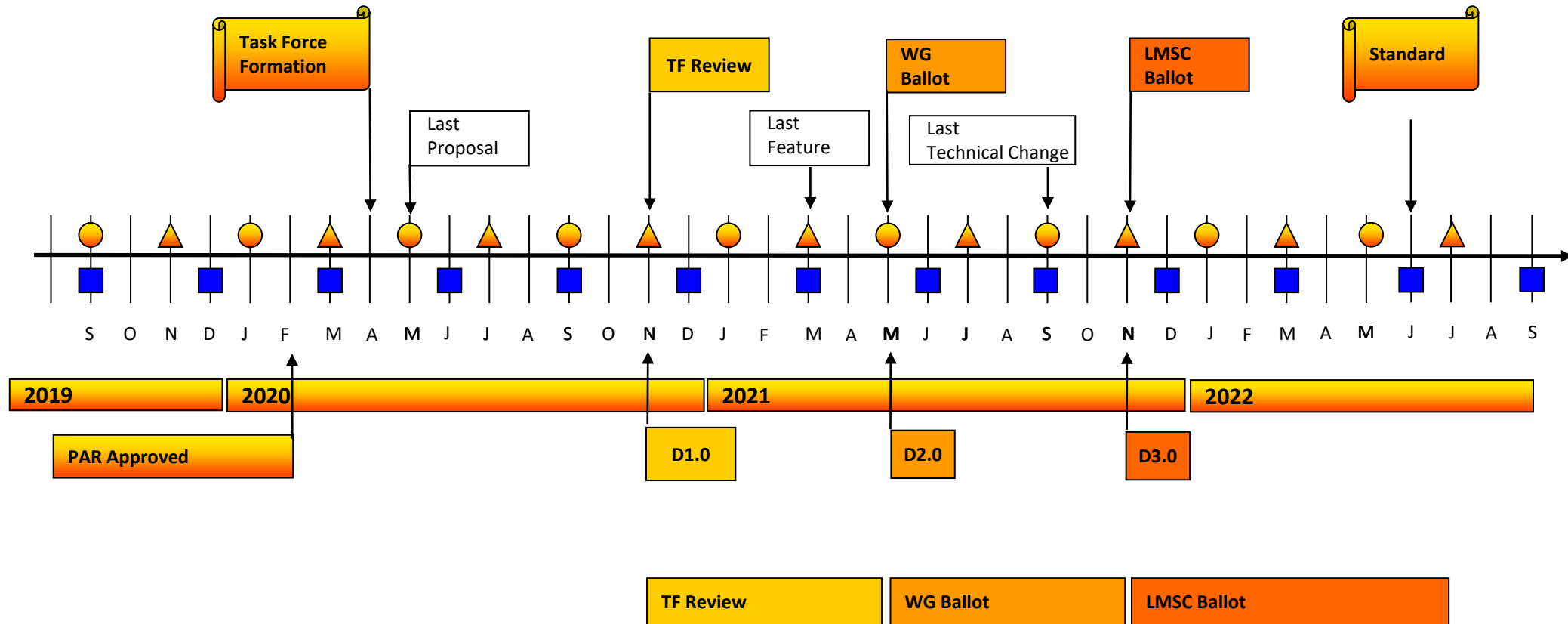
IEEE P802.3cw Sept 2021 Interim TF Electronic Meeting

Introduction

- Adopted Timeline – Slide 3
- Previously Discussed Timeline (25 Mar 2021) – Slide 4
- Proposed updated timeline –Slide 5

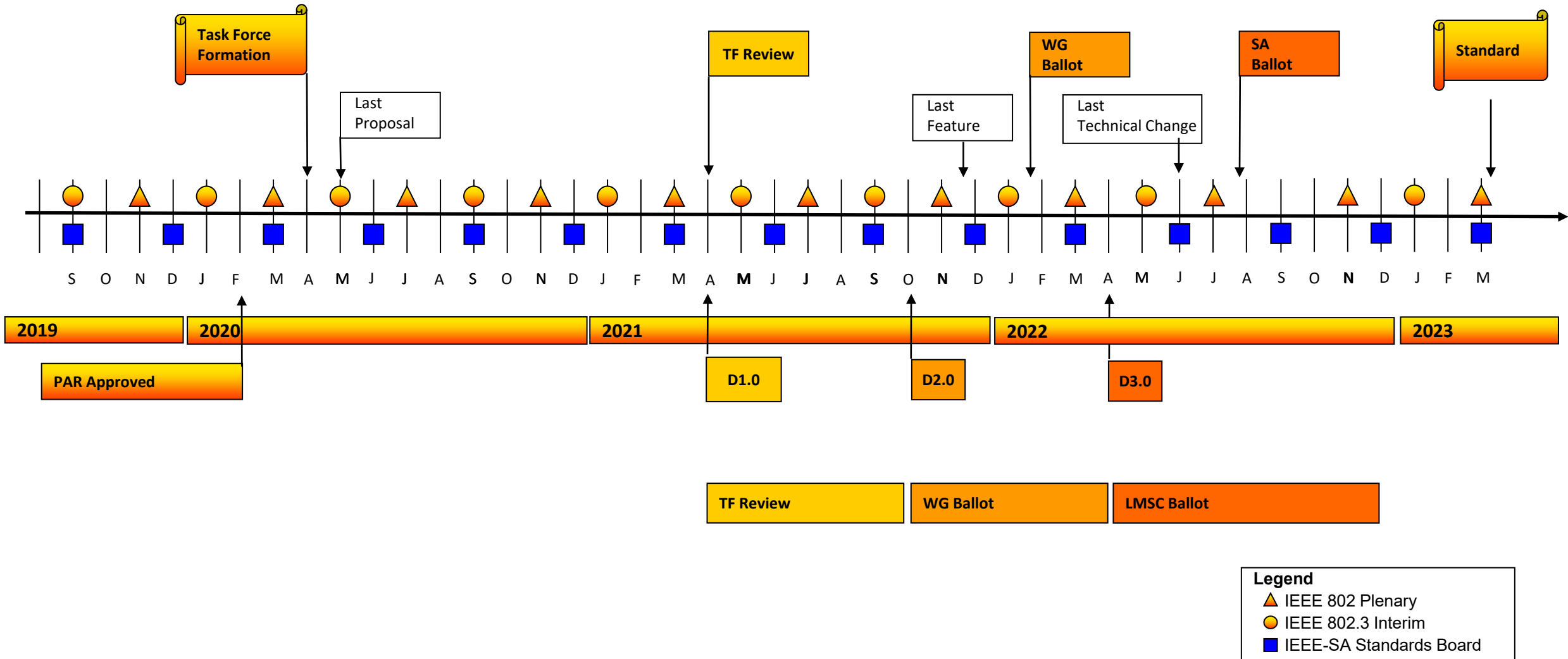
- P802.3cw PAR expires – 31 Dec 2024

Adopted IEEE P802.3cw Timeline



Adopted by IEEE P802.3cw TF –02 Apr 2020

Proposed Update (3/25/21) to IEEE P802.3cw Timeline



Proposed Update (3/25/21) to IEEE P802.3cw Timeline

