

IEEE P802.3cw Timeline Review

John D'Ambrosia

Chair, IEEE P802.3cw Task Force

Futurewei, U.S. Subsidiary of Huawei

14 March 2022

IEEE 802 March 2022 Electronic Plenary

Introduction

- Adopted Timeline – Slide 3 – we are behind again
- We need to make progress. State of IEEE P802.3cw will be discussed with IEEE 802.3 WG @ May 2022 802.3 WG Interim Meeting

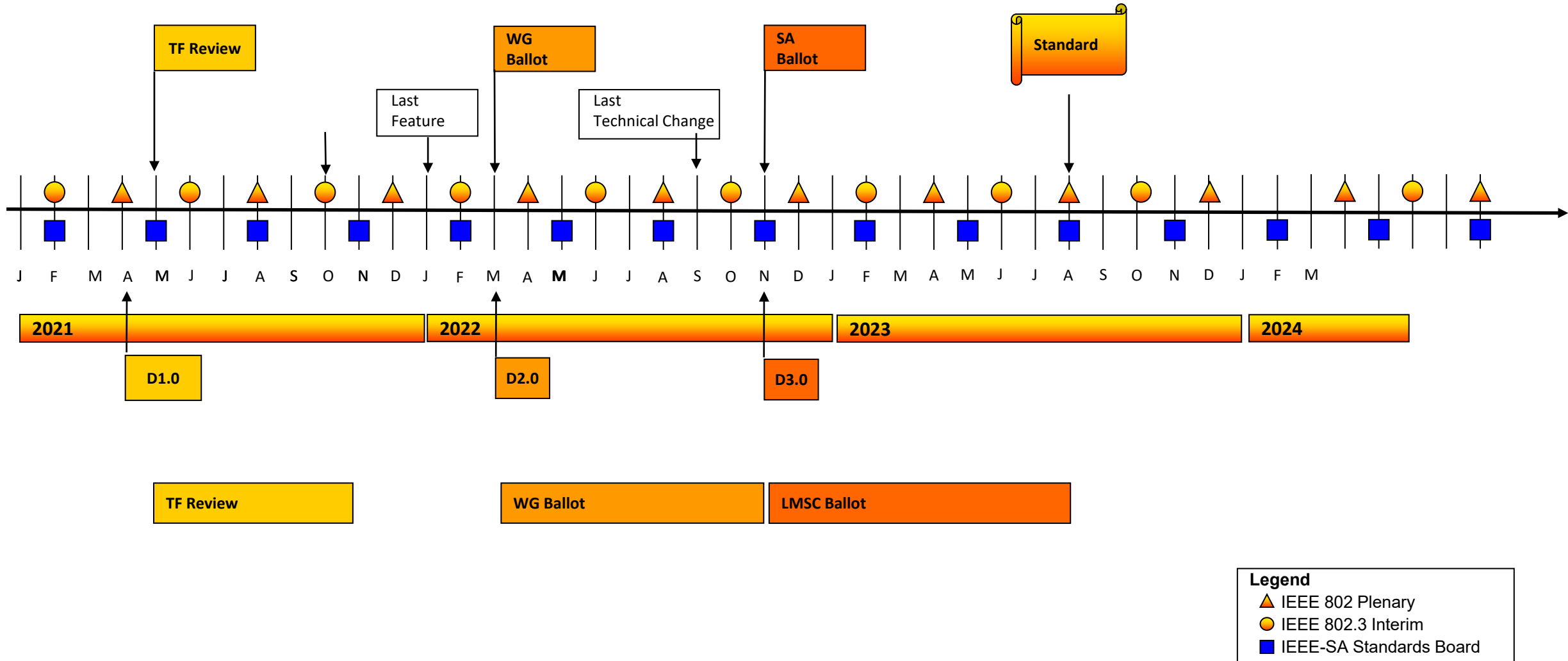
- 1/17 - Discussion regarding future of 802.3cw

Straw poll - Do you intend to submit test data towards the definition of the DP-16QAM Tx quality metric: such as according to the agreed test plan (See https://www.ieee802.org/3/cw/tools/EVMTQM_211025.pdf)

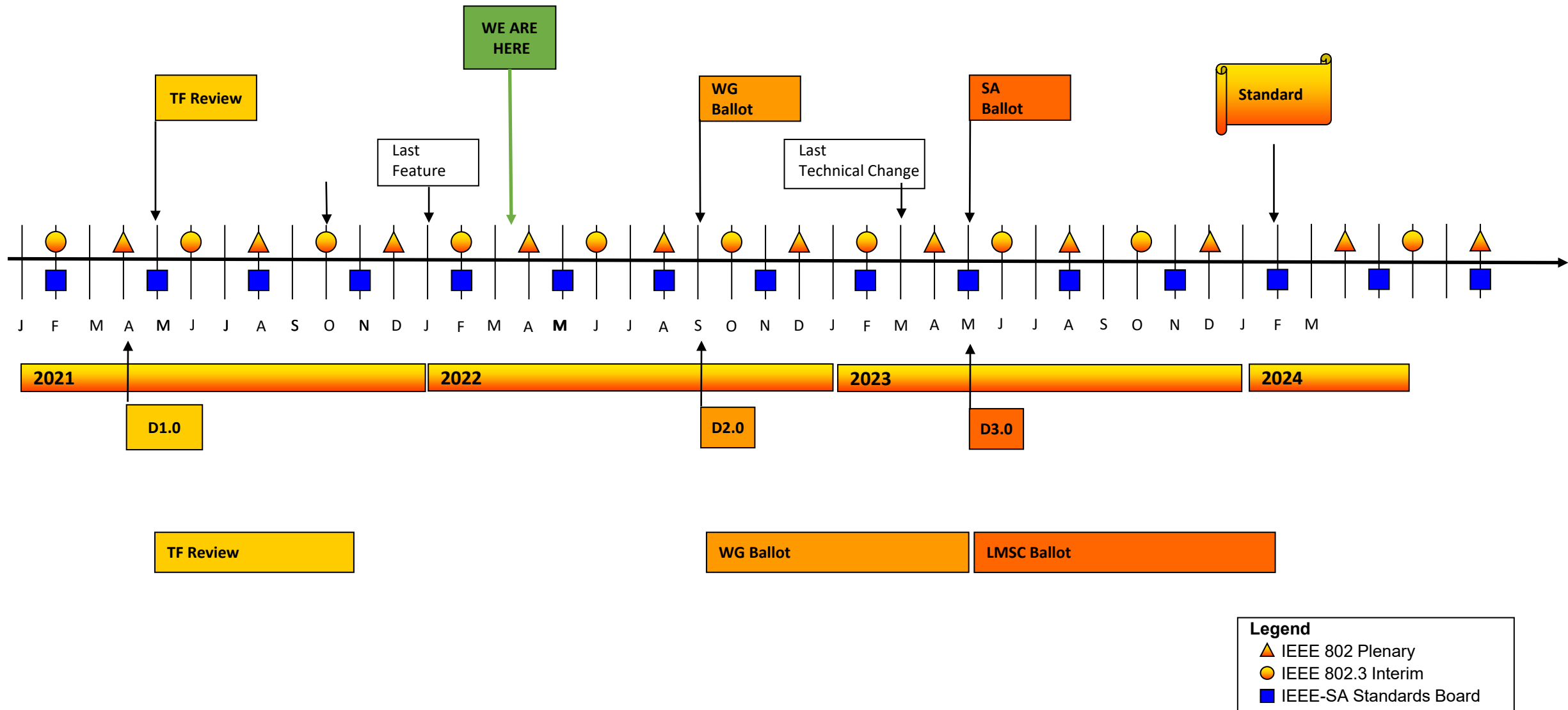
a) March 2022	1
b) May 2022	5
c) July 2022	2
d) After July 2022	2
e) Do not plan to submit data	25

- Proposed updated timeline –Slide 4
- P802.3cw PAR expires – 31 Dec 2024

Adopted IEEE P802.3cw Timeline



Proposed IEEE P802.3cw Timeline



Proposed Motion

Motion # **Move to adopt project timeline specified on Slide #4 of
dambrosia_3cw_01_220314.pdf for IEEE P802.3cw**

Moved by

Second by

Technical **$\geq 75\%$**

Results 802.3 (y/n/a)