

IEEE P802.3cw Timeline Update Discussion

John D'Ambrosia
Chair, IEEE P802.3cw Task Force
Futurewei, U.S. Subsidiary of Huawei

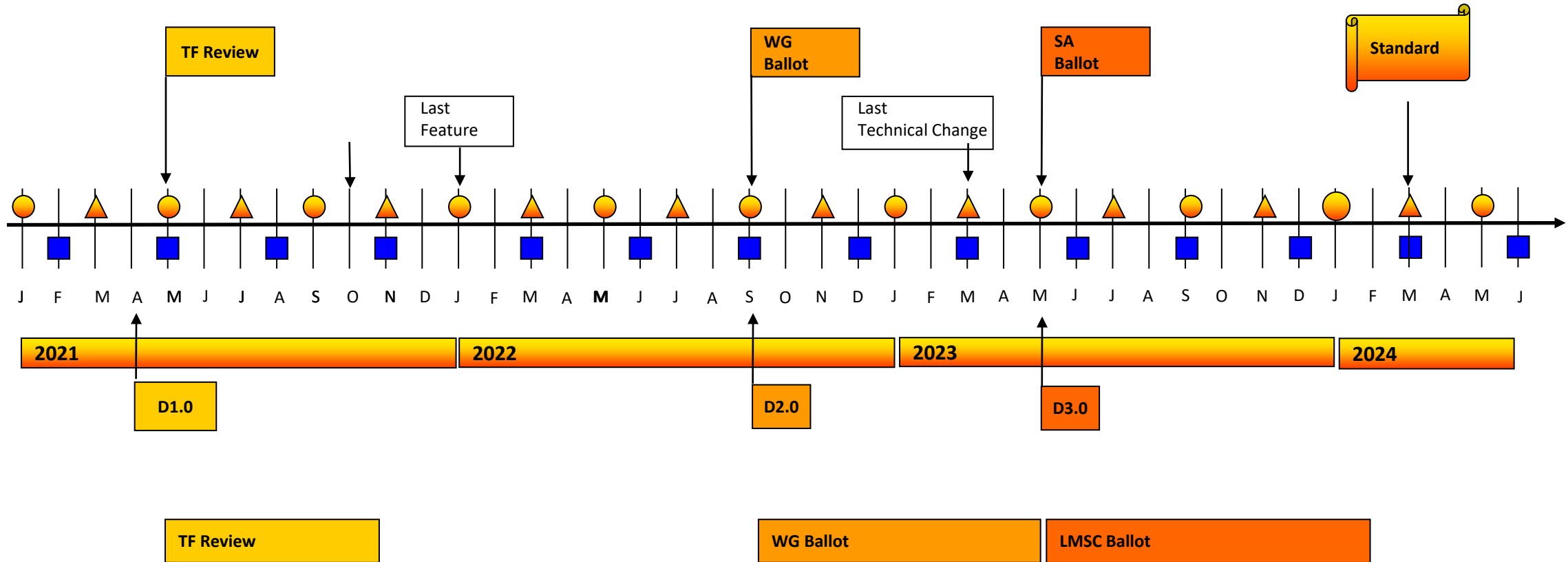
Tom Issenhuth
Chief Editor, IEEE P802.3cw Task Force
Huawei

June 8, 2023
IEEE P802.3cw June 2023 Interim TF Electronic Meeting

Introduction

- “Rewrite” of IEEE P802.3cw D2.0 Clause 155 put the project \approx 6 months behind schedule
- IEEE P802.3cw D2.1 was essentially a restart of WG Ballot
- We need to revisit schedule
- General concern regarding whether the project should continue
- Note - PAR Expiration date – 31 Dec 2024
 - If a PAR renewal were necessary – target request July 2024 802 Plenary

Adopted IEEE P802.3cw Timeline



Adopted by IEEE P802.3cw TF – 21 Mar 2022

Legend

- ▲ IEEE 802 Plenary
- IEEE 802.3 Interim
- IEEE-SA Standards Board

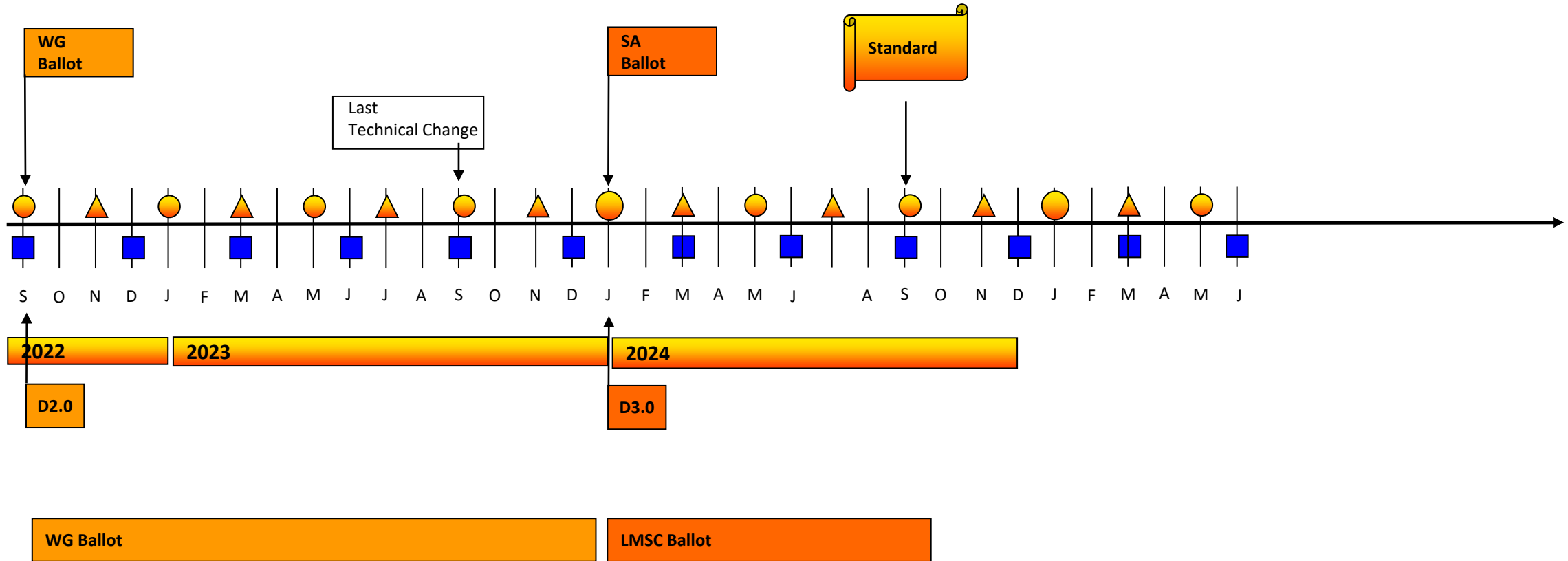
Thoughts Moving Forward

- Project scheduling needs to consider
 - 802.3df and 802.3dj
 - F2F meeting time and electronic meeting time availability
 - Other scheduling conflicts
- Proposal –
 - If approval (conditional or unconditional) to proceed to SA Ballot at the Nov 2023 Plenary is not requested, then actions should be taken to withdraw the 802.3cw PAR

Proposed Key Dates Going Forward

- 2nd Recirculation Ballot (D2.2)
 - Opens – Fri, 23 June
 - Closes – Fri, 07 Jul
- 3rd Recirculation Ballot (D2.3)
 - Opens – Fri, 18 Aug
 - Closes – Fri, 01 Sept
- 4th Recirculation Ballot (D2.4)
 - Opens – Sun, 08 Oct
 - Closes – Sun, 22 Oct
- Publish D2.5 Week of 11/6

Proposed IEEE P802.3cw Timeline Update



Legend

- ▲ IEEE 802 Plenary
- IEEE 802.3 Interim
- IEEE-SA Standards Board