

FREEDOM TO INNOVATE

Path delay variance from multi-PCS lane distribution

Richard Tse, Steve Gorshe

IEEE 802.3 Teleconference April 20, 2020

microchip.com



Problem: Path Data Delay variance from multi-PCS lane distribution function needs to be accounted for in a standardized manner

- The characteristics of PDD_x , $(PDD_1 + PDD_2)$, and $(PDD_3 + PDD_4)$ must be specified to allow consistency between interworking PHYs so an accurate RTT can be measured

PCS-Lane Distribution Interpretation Option Details (1)

Ambiguities in IEEE 802.3 affect path data delays.

No instructions are given in IEEE 802.3 on how to handle these deterministic but varying delays:

- NxPCS lane Transmitter Interpretation Options
 - A. 66B blocks and timestamps are not aligned at NxPCS lane transmitter
 - xMII to MDI has constant path data delay for every lane
 - Data for Lane 0 arrives first at xMII and is transmitted first at MDI
 - Data for Lane N arrives last at xMII and is transmitted last at MDI
 - 66B blocks on each lane have a different timestamp because they cross the reference plane at different times
 - Timestamper at Tx xMII uses the same xMII-to-MDI constant data path delay for every lane
 - Lane-to-lane skew of 66B blocks at the transmitter is removed by Rx deskew buffers

PCS-Lane Distribution Interpretation Option Details (2)

- NxPCS lane Transmitter Interpretation Options (continued)
 - B. 66B blocks and timestamps are aligned at NxPCS lane transmitter
 - xMII to MDI path has different path data delay for each lane
 - Data for Lane 0 arrives first at xMII and is transmitted at the same time as lane N at MDI, causing largest path data delay
 - Data for Lane N arrives last at xMII and is transmitted at the same time as Lane 0 at MDI, causing smallest path data delay
 - 66B blocks on every lane have the same timestamp because they cross the reference plane at the same time
 - Timestamping at Tx xMII uses appropriate xMII-to-MDI path data delay for each lane
 - No lane-to-lane skew of 66B blocks

PCS-Lane Distribution Interpretation Option Details (3)

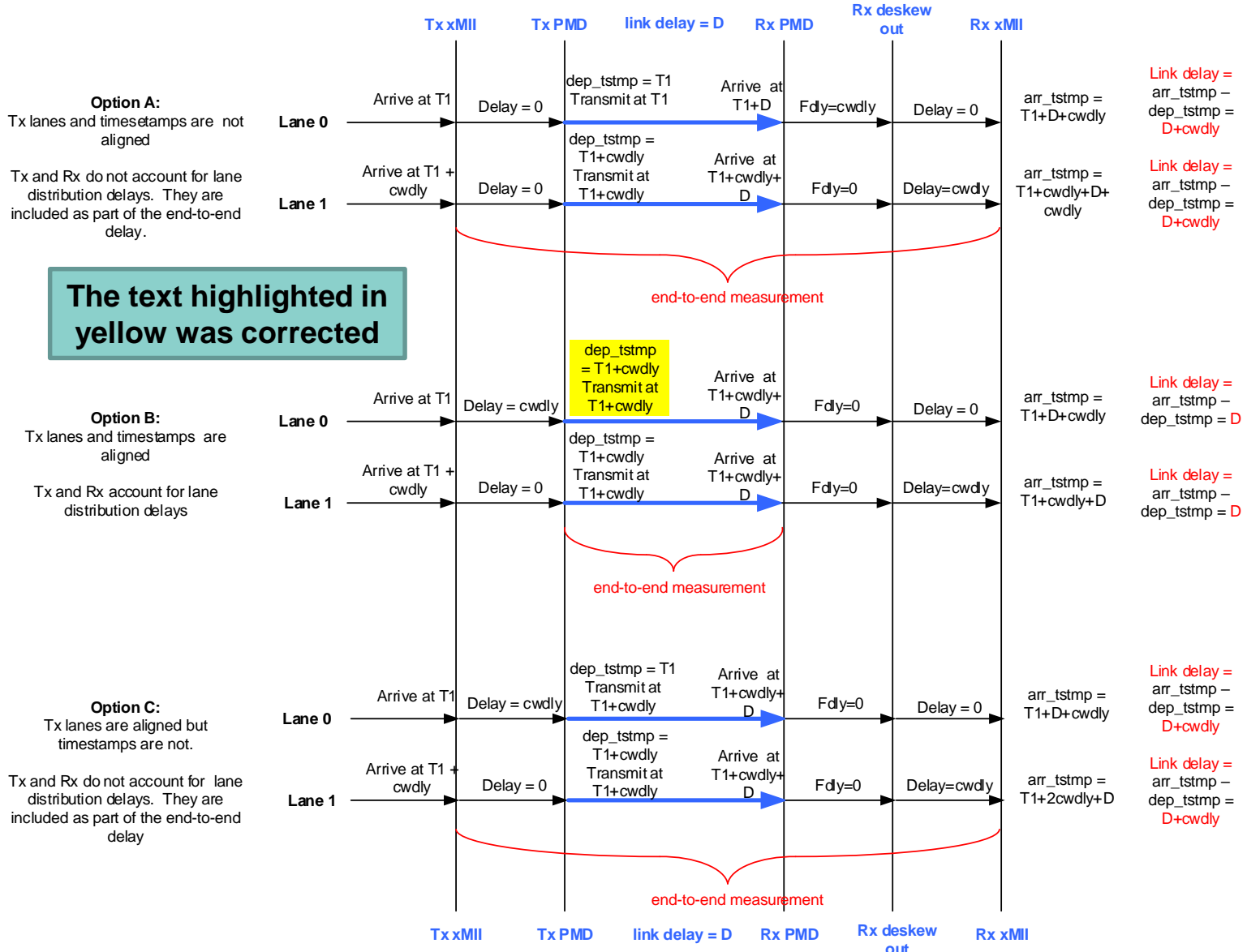
- NxPCS lane Transmitter Options (continued)
 - c. 66B blocks are aligned but timestamps are not aligned at NxPCS lane transmitter
 - xMII to MDI path has different path data delay for each lane
 - Data for Lane 0 arrives first at xMII and is transmitted at the same time as lane N at MDI, causing largest path data delay
 - Data for Lane N arrives last at xMII and is transmitted at the same time as Lane 0 at MDI, causing smallest path data delay
 - Timestamps assume a constant data path delay for all lanes
 - Timestamper at Tx xMII uses the same xMII-to-MDI constant path data delay for every lane
 - No lane-to-lane skew of 66B blocks

PCS-Lane Distribution Interpretation Option Details (4)

- **NxPCS lane Receiver Options:**
 - After deskew buffers, all lanes are aligned
 - For N-lane transmitter type “A”, intrinsic lane-to-lane skew of 66B blocks is “moved into the medium” by the deskew function
 - For N-lane transmitter types “B” and “C”, there is no skew of 66B blocks between lanes
 - **MDI to xMII multiplexer causes varying path data delay**
 - All lanes are deskewed and are ready to go to xMII
 - Data for Lane 0 goes to xMII first and has smallest path data delay
 - Data for Lane N goes to xMII last and has largest path data delay
 - **How is this lane-to-lane varying delay handled?**

PCS-Lane Distribution Interpretation Options Details (4)

- Figure shows examples of the 3 Options
- Arrival times at each stage are shown (Arrive at, Transmit at)
- The delays through each functional stage are shown (Delay, Fdly, link delay)
 - Constant delays are assumed to be 0 where the actual values don't matter
- The departure timestamps at Tx (dep_tstmp) and arrival timestamps at Rx (arr_tstmp) are shown
- The calculated link delay (Link_delay) is shown for the span (end-to-end measurement)



PCS-Lane Distribution Delays – Constant vs per-Lane

- There are two inherent approaches for determining the xMII-to-MDI delay on multi-PCS lane PHYs
 1. Method 1 – Account for the delay between the MII and the lane that carries the message timestamp point of the PTP message.
 2. Method 2 – Because the Tx + Rx lane distribution delay is a constant for every lane, use this constant delay regardless of which lane carries the message timestamp point.
 - This is like how IEEE 802.3 handles FEC delays

PCS-Lane Distribution Delays: Method 1

- For a multilane PHY, after deskew delays are accounted for appropriately and since timestamping is at the MDI, would the timestamps be the same regardless of which lane the message's timestamp reference point is transmitted on (or received on)?
 - Since all lanes are transmitted at the same time and received at the same time (after deskew) at the MDI, it would seem this is a valid conclusion.

90.7 Data delay measurement

The TimeSync capability requires measurement of data delay in the transmit and receive paths, as shown in Figure 90–3. The transmit path data delay is measured from the beginning of the SFD at the xMII input to the beginning of the SFD at the MDI output. The receive path data delay is measured from the beginning of the SFD at the MDI input to the beginning of the SFD at the xMII output.

PCS-Lane Distribution Delays: Method 1 (continued)

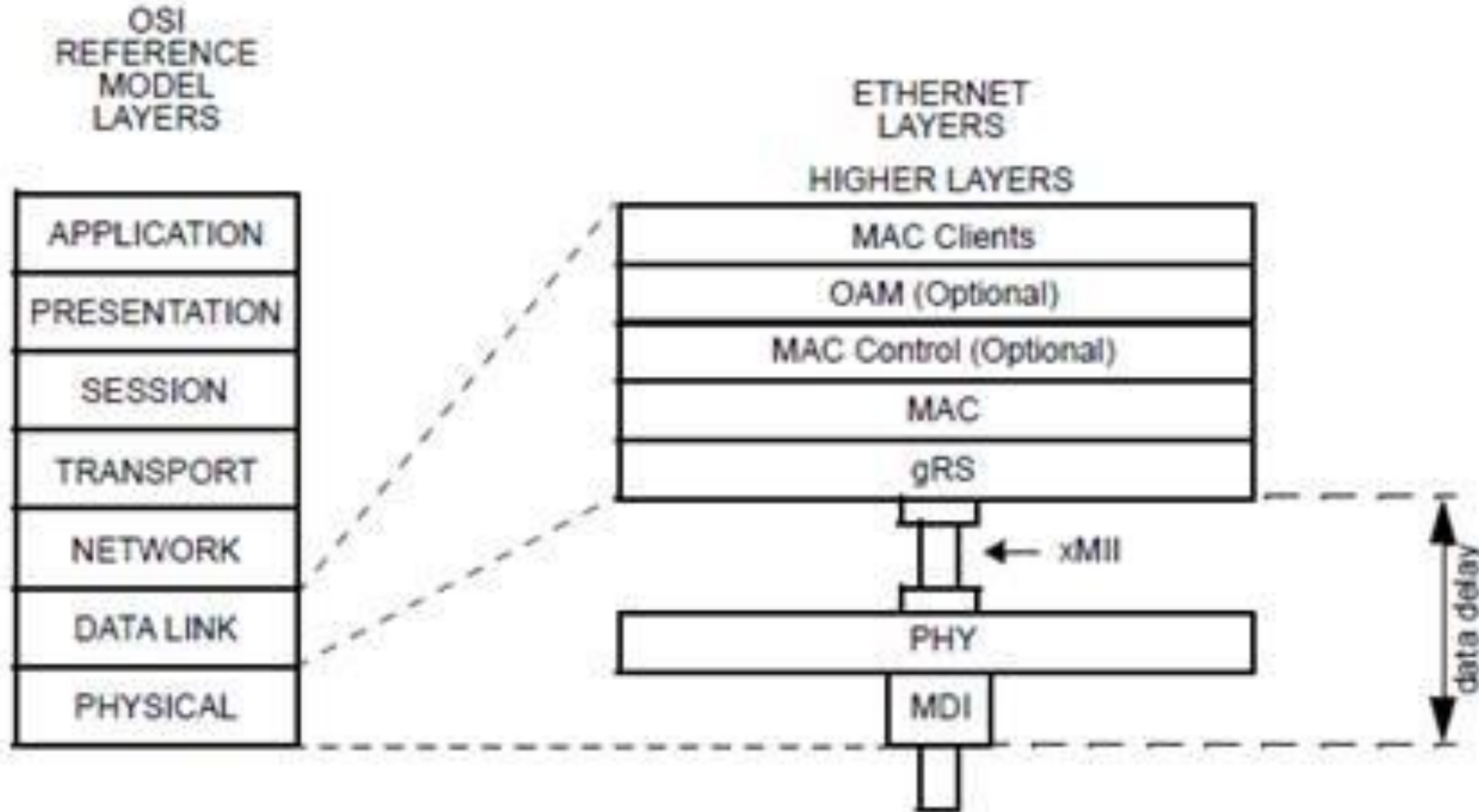
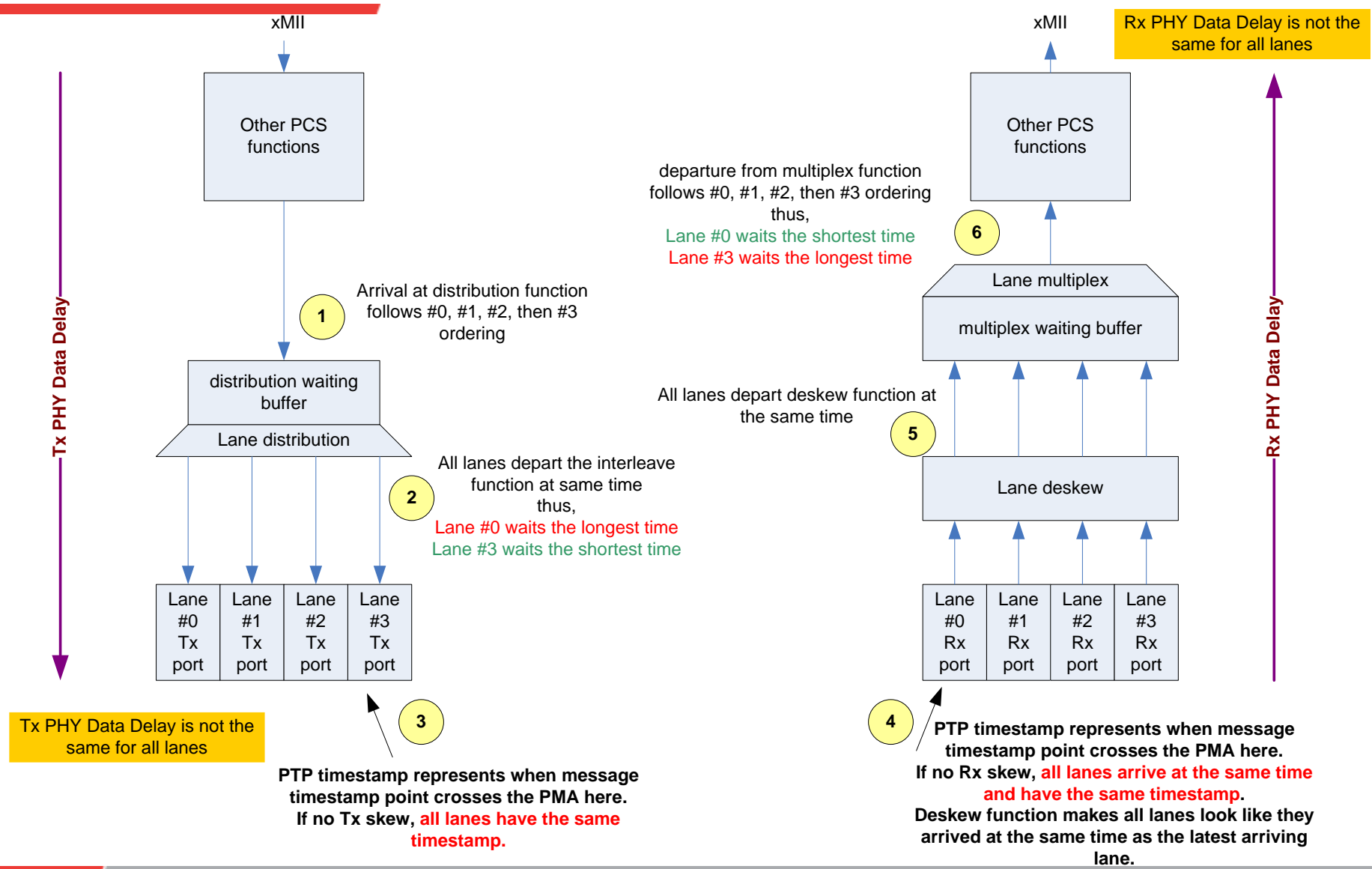


Figure 90-3—Data delay measurement

PCS-Lane Distribution Delays: Method 1 (continued)

- However, this means that PHY data delay (between xMII and MDI, as per Figure 90-3 above) is not the same for every lane because the MDI-to-xMII multiplexing delay (for Rx) and xMII-to-MDI demultiplexing delay (for Tx) is different for each lane (as shown in Figures 82-3 and 82-4 below). In the Tx direction, 66B blocks going to lane 0 have the most delay and 66B blocks going to lane 3 have the least delay. In the Rx direction, the opposite is true. To capture an accurate timestamp at the xMII (as per the IEEE 802.3 model), the lane-based intrinsic delay must be included as part of the PHY data delay.
 - Was this the intent?

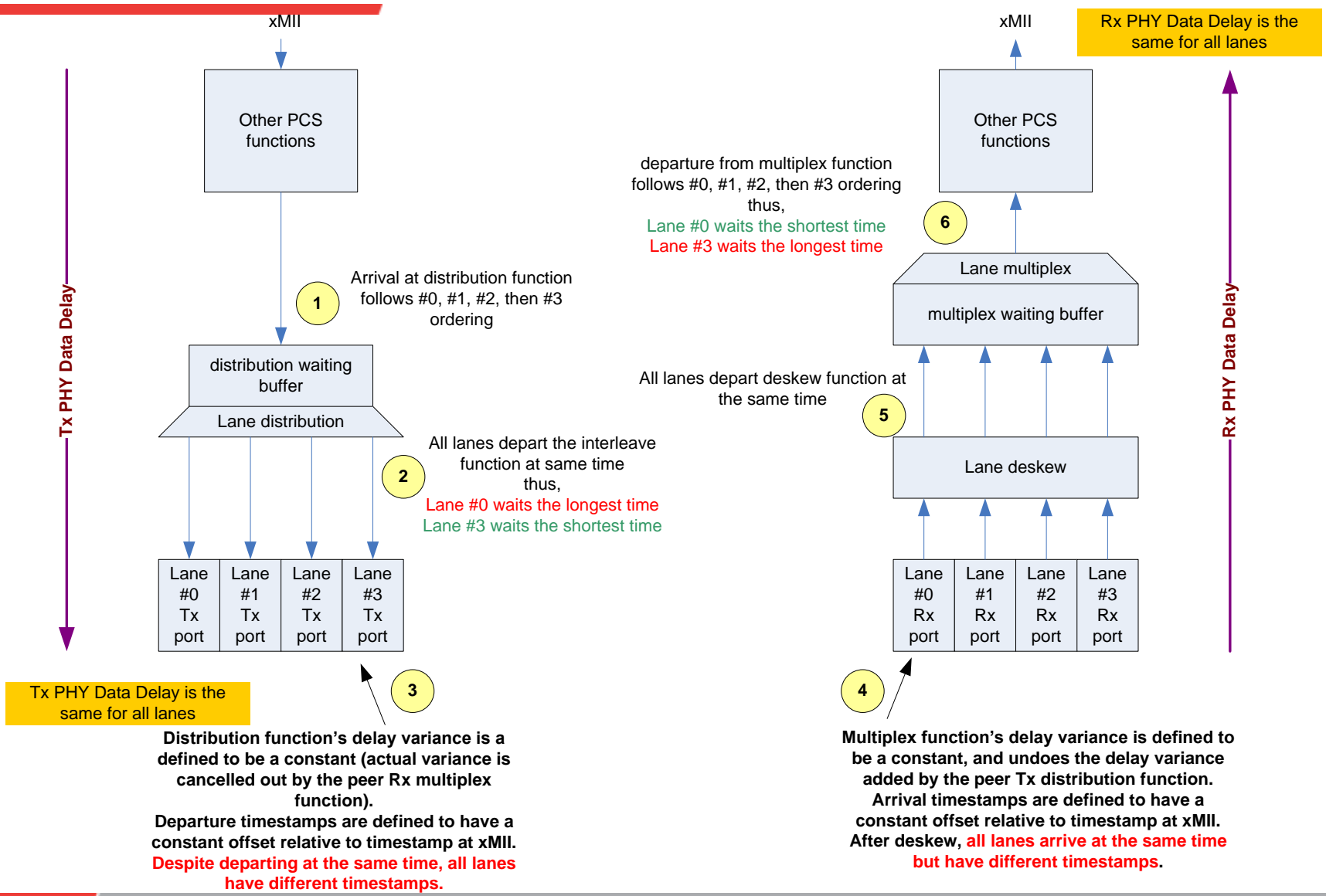
PCS-Lane Distribution Delays: Method 1 (continued)



PCS-Lane Distribution Delays: Method 2

- These multi-PCS lane PHY data delays could also be designated to be a constant value for all lanes if the principle that is used for FEC's varying intrinsic delays is applied for multilane's multiplexing/demultiplexing varying intrinsic delays.
 - i.e., the Tx intrinsic demultiplexing delay is balanced by the Rx multiplexing intrinsic delay, making the aggregated demux/mux delay a constant.
 - Was this principle on anyone's mind when the multiplane PHY function was defined?

PCS-Lane Distribution Delays: Method 2 (continued)



Proposed Solution

- Clarify how to handle lane distribution delays and the NxPCS lane transmitter's intended behavior for lane-to-lane alignment
- Adopt the combination of Method 2 and Option C of this contribution for lane distribution delays
 - Handle lane distribution delay in the same manner as 802.3's FEC delay (slides 13 and 14)
 - 66B blocks are aligned but timestamps are not aligned at NxPCS lane transmitter (slide 5)



MICROCHIP

Questions?

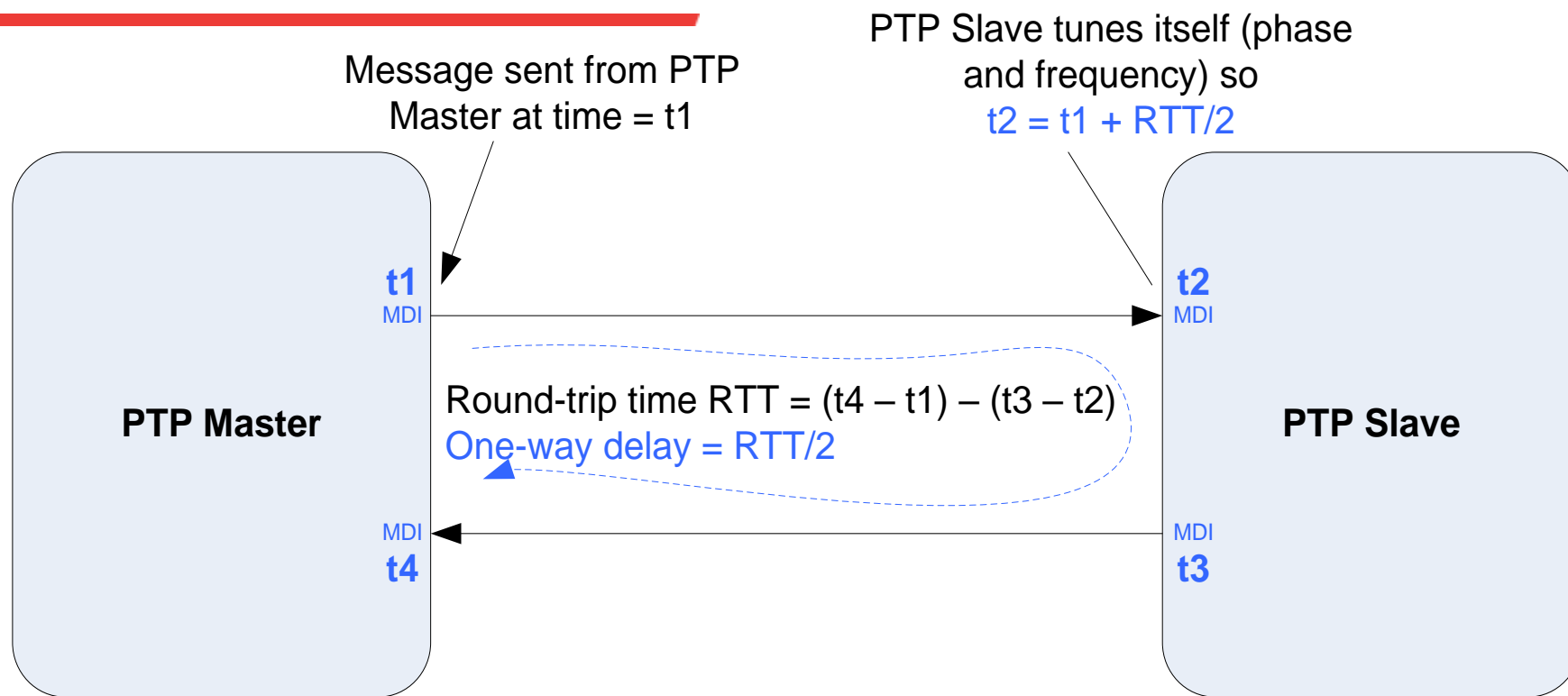


MICROCHIP

Thank You

Backup Information

PTP Time Distribution Mechanism

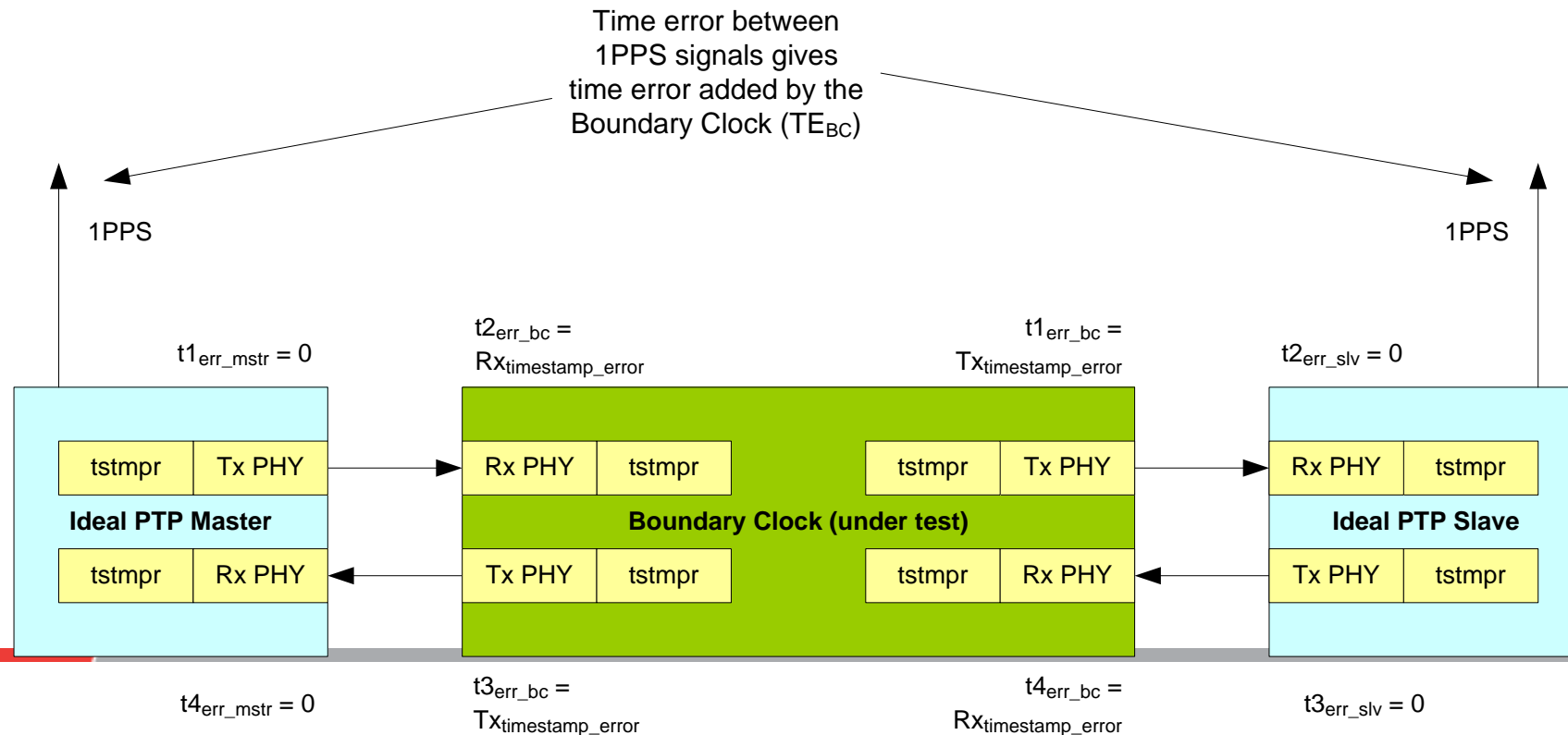


Because round-trip measurement is used, delay symmetry affects performance

- Timestamps t_1 and t_4 (corresponding to MDI) are captured at the PTP Master
- Timestamps t_2 and t_3 (corresponding to MDI) are captured at the PTP Slave
- All timestamps are given to the PTP Slave so it can:
 - calculate RTT
 - do adjustments to make $t_2 = t_1 + RTT/2$

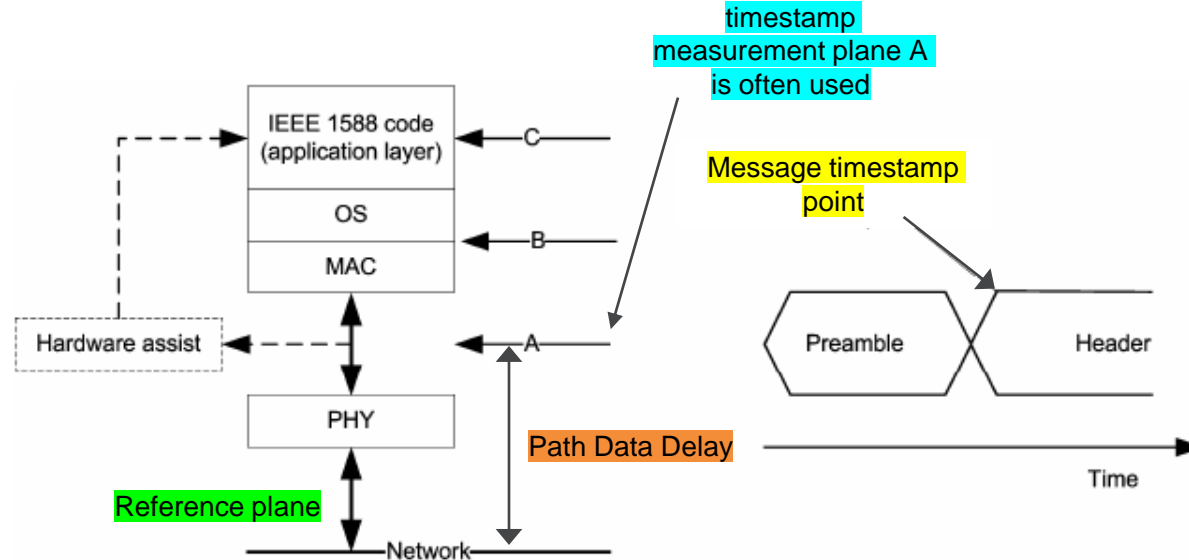
Time Error Measurement Model (for Boundary Clock)

- PTP Master and PTP Slave are ideal (no timestamping errors, perfectly stable clocks)
- Boundary Clock's time error (TE) is affected by timestamping errors on messages to/from Master and to/from Slave
 - other sources of TE are ignored for this discussion
- $|TE_{BC}| = 0.5 * (|t1_{err_bc}| + |t2_{err_bc}| + |t3_{err_bc}| + |t4_{err_bc}|) = (|Tx_{timestamp_error}| + |Rx_{timestamp_error}|)$



PTP Timestamp Generation Model

- A timestamp is generated at the time the “message timestamp point” crosses “reference plane”, which is the intersection between the network (i.e. the medium) and the PHY
- Timestamp capture is implemented at the “timestamp measurement plane”, which, in practice, occurs at point A and must be moved back to the reference plane
- *Good estimate of the PHY delay* (“path data delay”, the time between the reference plane and the timestamp measurement plane) *is needed* → *varying delays should be compensated for*
- *Every endpoint needs to have the same understanding of the above concepts and how compensation is done*



Current IEEE 802.3 Support for Time Synchronization (1)

- IEEE 802.3 Clause 90 provides support for a TimeSync Client
 - The optional Time Synchronization Service Interface (TSSI) supports protocols that require knowledge of packet egress and ingress time
 - Timestamping is done in the gRS, where the timestamp is captured when the message timestamp point crosses the xMII

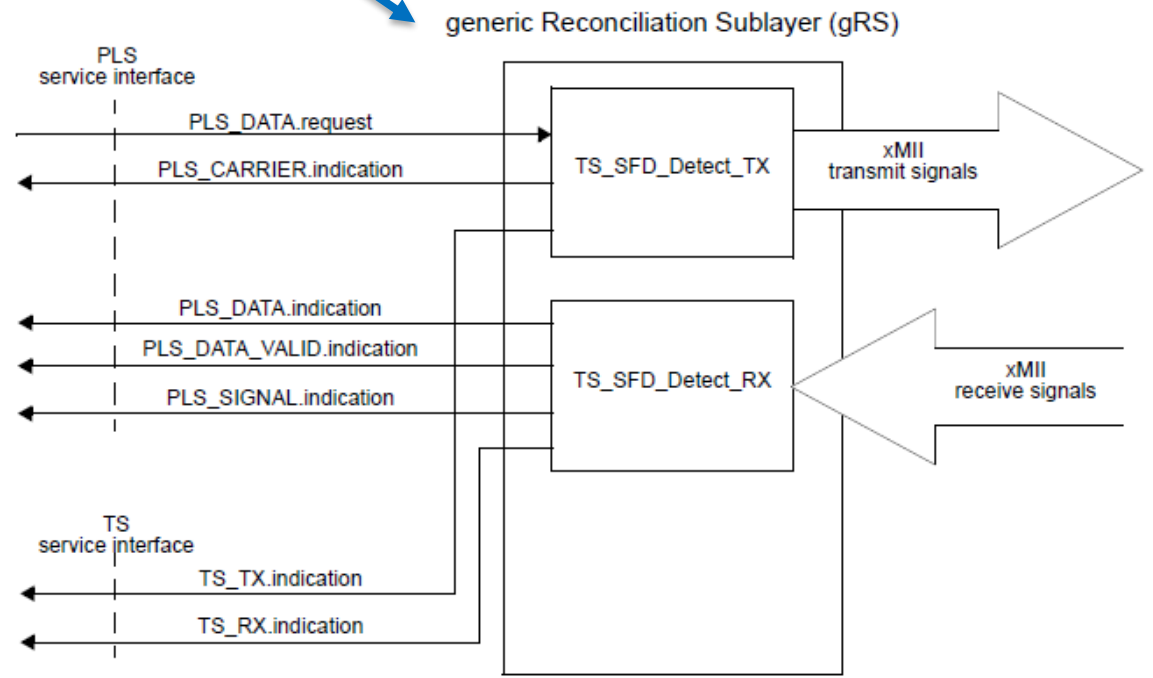
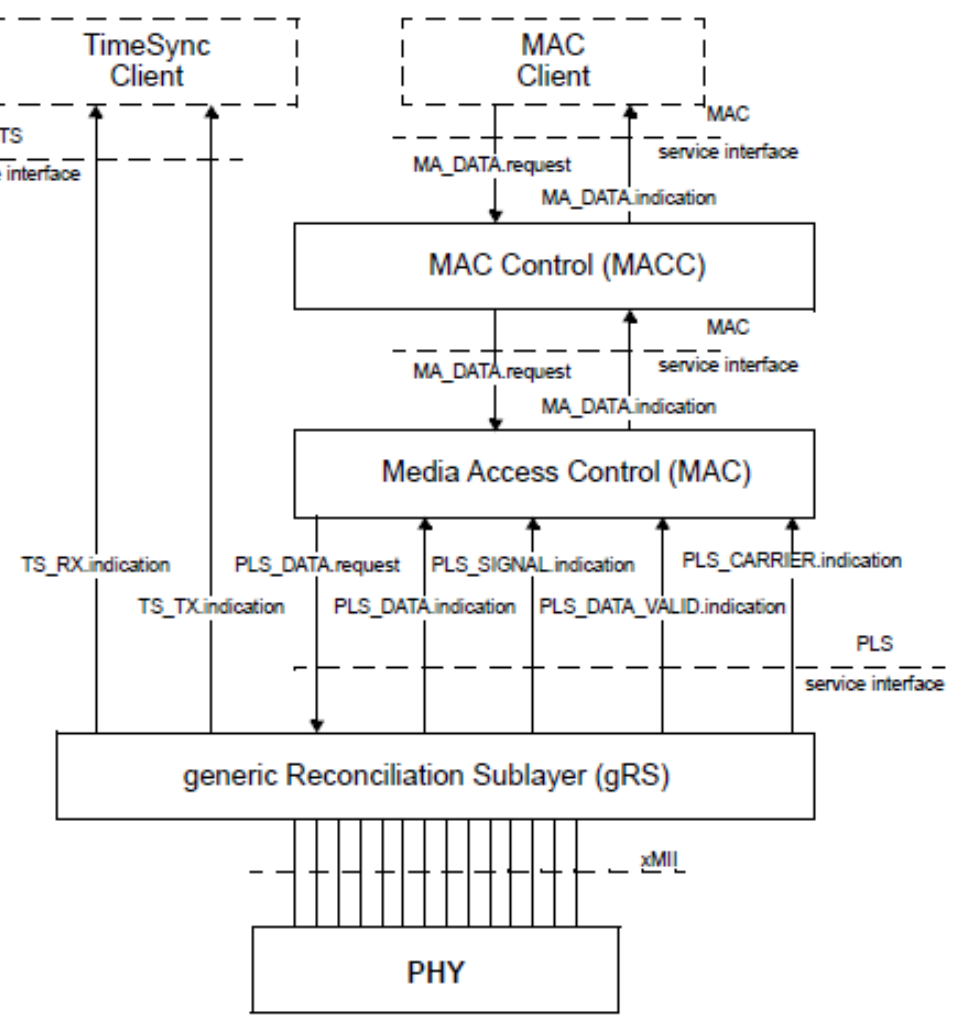


Figure 90-2—TS_SFD_Detect_TX and TS_SFD_Detect_RX functions within the generic Reconciliation Sublayer (gRS)



Current IEEE 802.3 Support for Time Synchronization (2)

- TSSI allows for “PHY” delay measurement to be done by TimeSync Client(s)
 - The **transmit path data delay is measured** from the beginning of the SFD at the xMII input to the beginning of the SFD at the MDI output.
 - The **receive path data delay is measured** from the beginning of the SFD at the MDI input to the beginning of the SFD at the xMII output.

- The obtained data delay measurement is reported in the form of a quartet of values as defined for the TimeSync managed object class.
 - maximum transmit data delay
 - minimum transmit data delay
 - maximum receive data delay
 - minimum receive data delay

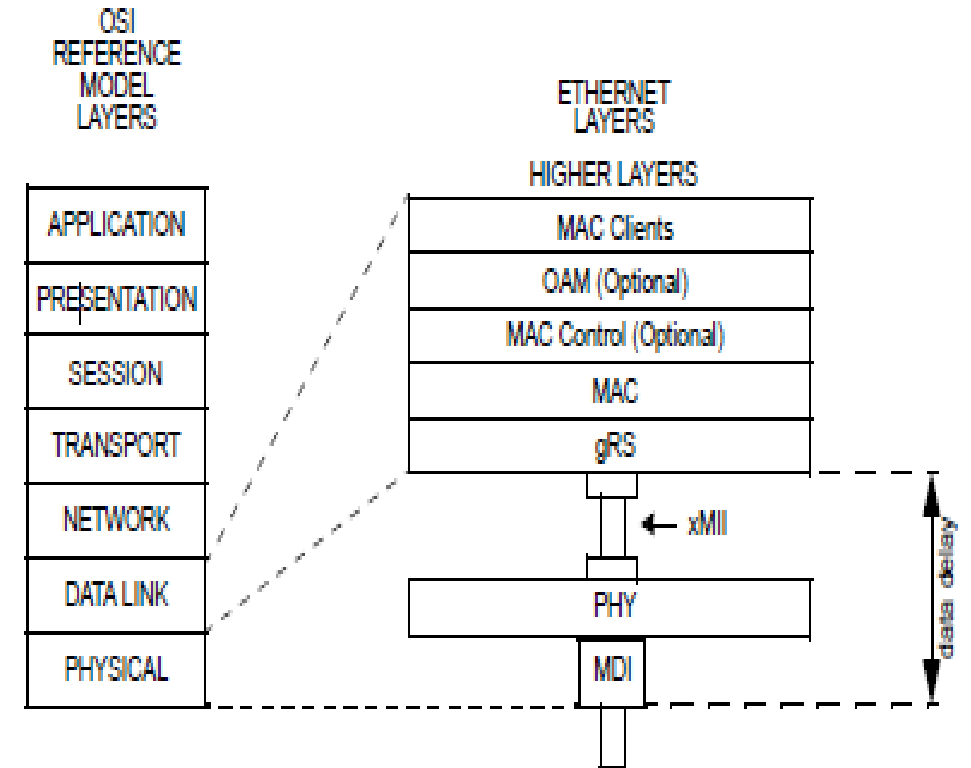


Figure 90-3—Data delay measurement

24 Why Can't High Accuracy Time Transport be Achieved Now with IEEE 802.3?

- PTP timestamping is done at the MDI
- IEEE 802.3's timestamping is done at the xMII (per clause 90 of IEEE 802.3)
- PHY data delay must be known for the PTP message to move the timestamp from xMII to MDI
- Many newer 802.3 PHYs have fundamental dynamic variations in their data delay
- But
 - Data delay variations in the PHY are not inherently visible at the xMII
- Thus
 - IEEE 802.3's current timestamping mechanism does not inherently support high accuracy on PHYs with data delay variations
 - Specifications are needed on how to deal with each data delay variation

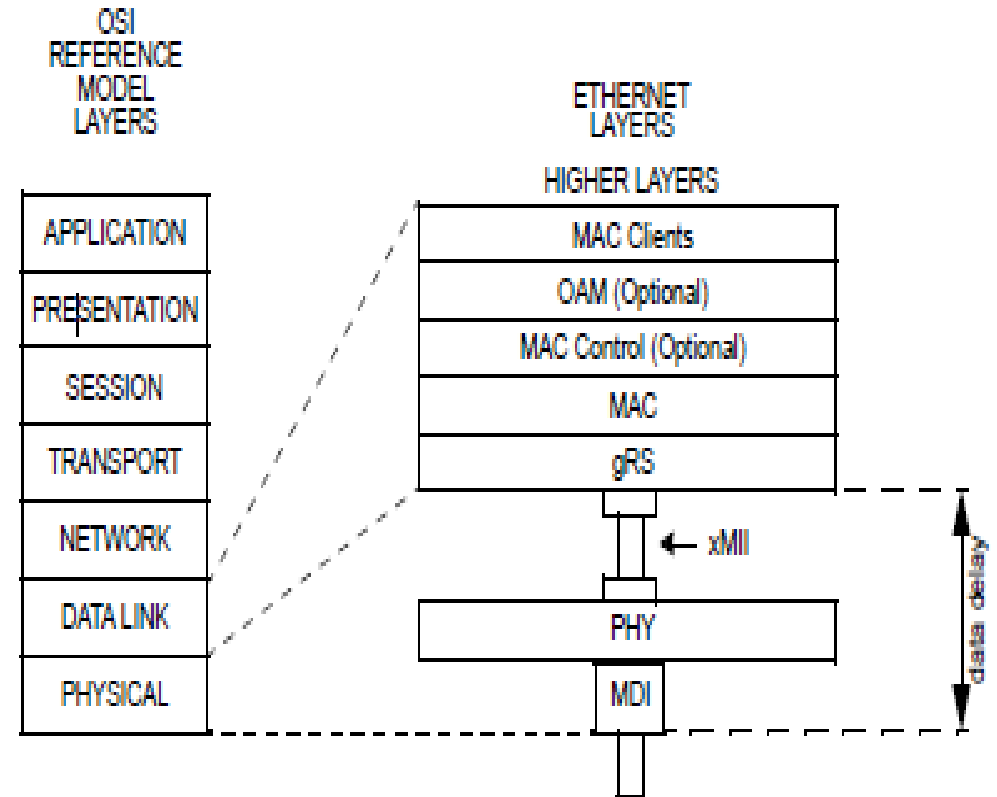


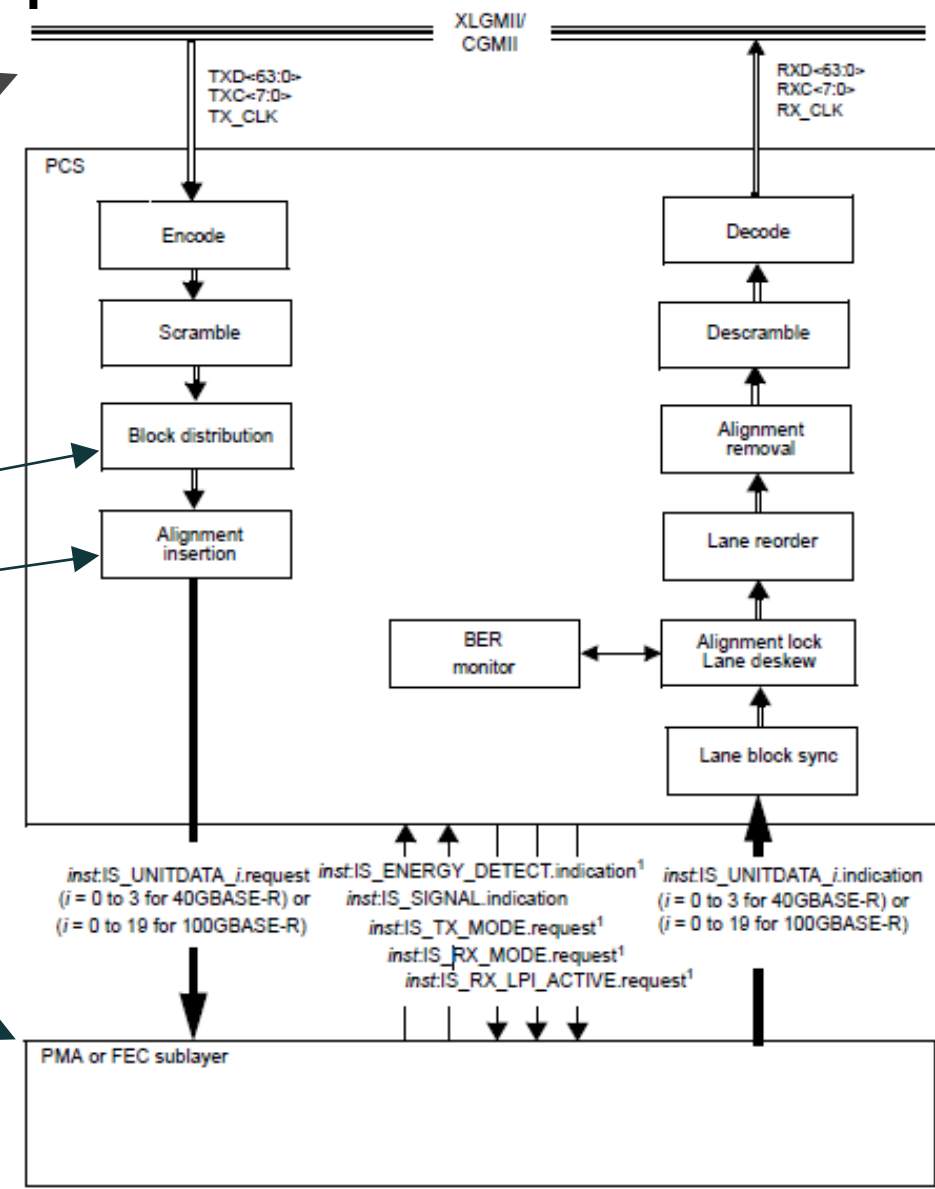
Figure 90-3—Data delay measurement

Data Delay Variations in 100GE PHY

Timestamps are captured at xMII

Block distribution to multi-PCS lanes, Alignment Marker insertion/removal (and their corresponding Idles), and FEC all inherently cause dynamic data delay variation

Timestamps should correspond to the time at MDI



NOTE 1—FOR OPTIONAL EEE DEEP SLEEP CAPABILITY

Figure 82-2—Functional block diagram

Application Timing Requirements

Classes C and D were added in 2018 for 5G transport applications

From ITU-T Recommendation G.8273.2, Timing characteristics of telecom boundary clocks and telecom slave clocks

- Specifies the max timing errors that can be added by a telecom boundary clock
- cTE: constant time error
- dTE_L: low-passed dynamic time error
 - MTIE: Maximum Time Interval Error
 - TDEV: Time Deviation
- TE_L: constant time error + low-passed dynamic time error
- TE: constant time error + unfiltered dynamic time error

Time Error Type	Class	Requirement (ns)
max TE	A	100
	B	70
	C	30
	D	for further study
max TE _L	A, B, C	not defined
	D	5

Class	cTE Requirement (ns)
A	±50
B	±20
C	±10
D	for further study

Time Error Type	Class	Requirement (ns)	Observation interval τ (s)
dTE _L	A and B	MTIE = 40	$m < \tau \leq 1000$ (for constant temp)
	A and B	MTIE = 40	$m < \tau \leq 10000$ (for variable temp)
	C	MTIE = 10	$m < \tau \leq 1000$ (for constant temp)
	D	MTIE = for further study	$m < \tau \leq 1000$ (for constant temp)
	A and B	TDEV = 4	$m < \tau \leq 1000$ (for constant temp)
	C	TDEV = 2	$m < \tau \leq 1000$ (for constant temp)
	D	TDEV = for further study	$m < \tau \leq 1000$ (for constant temp)

Application Timing Consequences

- ITU Q13/SG15 WD13-25 shows why improved PTP performance is needed:
 - For radio time alignment error (TAE) of 260ns (see “TAE” in the figure on slide 9):
 - With all Class B Boundary Clocks everywhere, including in the RUs,
 $L = 1$ (only direct connect can satisfy requirements!)
 - With all Class C Boundary Clocks in network and class B Slave Clocks in the RUs,
 $L = 5$
 - With all Class C Boundary Clocks in network and “class C-like” Slave Clocks in the RUs,
 $L = 7$
 - If results were expanded to use class D Boundary Clocks in network and “class C-like” Slave Clocks in the RUs, $L > 17$
- To build a practical C-RAN network for 5G applications, PTP Clock performance should be Class C or better

Resulting Performance vs Target Performance

- Target Max|TE| = 30ns for class C Telecom Boundary Clock
 - In a system, there are other sources of TE, in addition to those from timestamping, that use up the allowance

Ethernet Rate	Path Data Delay Variation per Tx/Rx Interface (ns)				Total TE per Tx or Rx Interface (ns)	Path Data Delay Variation Contribution to Max TE , per PTP Boundary Clock (ns)
	mismatched SFD timestamp point	Idle insert/remove (per Idle)	AM insert/remove	Lane Distribution		
GE	8	16	N/A	N/A	24	48
10GE	0.8	3.2	N/A	N/A	4	8
25GE	0.32	1.28	2.56	N/A	4.16	8.32
40GE	0.2	1.6	6.4	4.8	13	26
100GE	0.08	0.64	12.8	12.16	25.68	51.36
200GE	0.04	0.32	2.56	2.24	5.16	10.32
400GE	0.02	0.16	2.56	2.4	5.14	10.28

100GE is very important for C-RAN