
SPE Multidrop Enhancements Mixing Segment Considerations Update

January 2021

Chris DiMinico/MC Communications/PHY-SI LLC/SenTekse/Panduit
cdiminico@ieee.org
Bob Voss/Paul Wachtel/Panduit

Background

- **IEEE P802.3da Task Force Work Items**

<https://www.ieee802.org/3/da/workitems/index-word.html>

Mixing Segment	specifications (IL, RL, mode conversion, etc.), MDI specs (tighter than CG?)
MDI + stub	connection (inductance, capacitance, resistance)

- **Follow-on July 2020 Single Pair Multidrop Considerations**

- https://www.ieee802.org/3/da/public/jul20/diminico_SPMD_01_0720.pdf

- **Follow-on November 2020 Single Pair Multidrop Considerations**

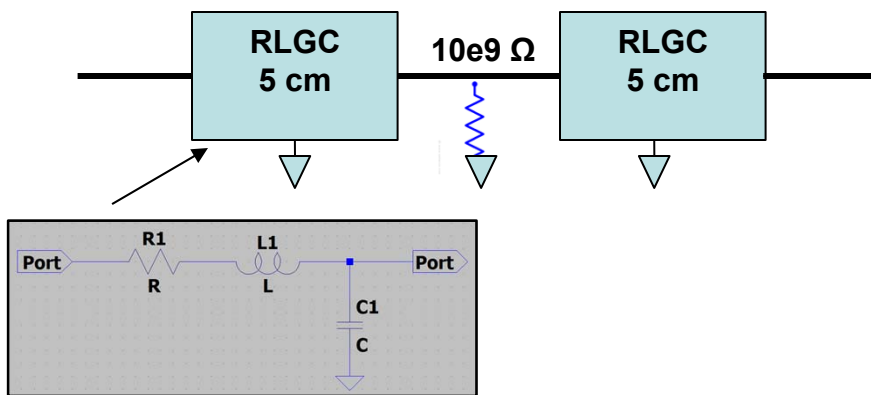
- https://www.ieee802.org/3/da/public/111820/diminico_SPMD_01_1120.pdf

Contributors

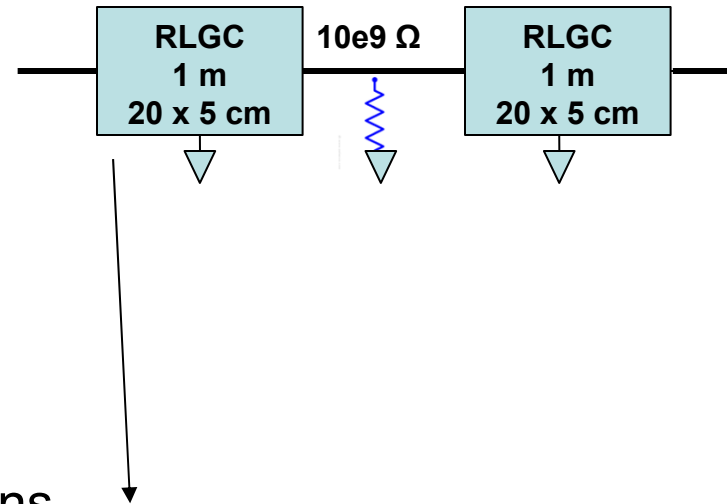
- **Paul Wachtel, Bob Voss, Ron Nordin – Panduit**

Analysis Cable Model

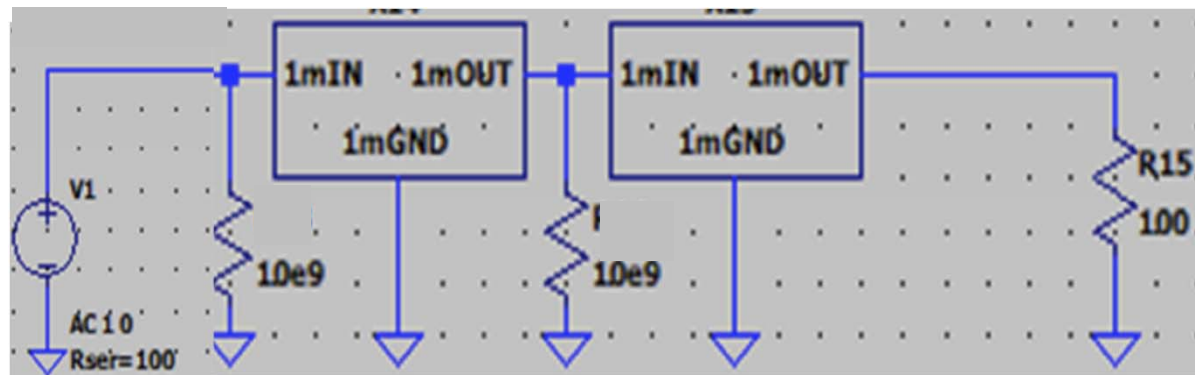
- 5 cm RLCG



- Concatenate 20*5 cm RLCG - 1 m

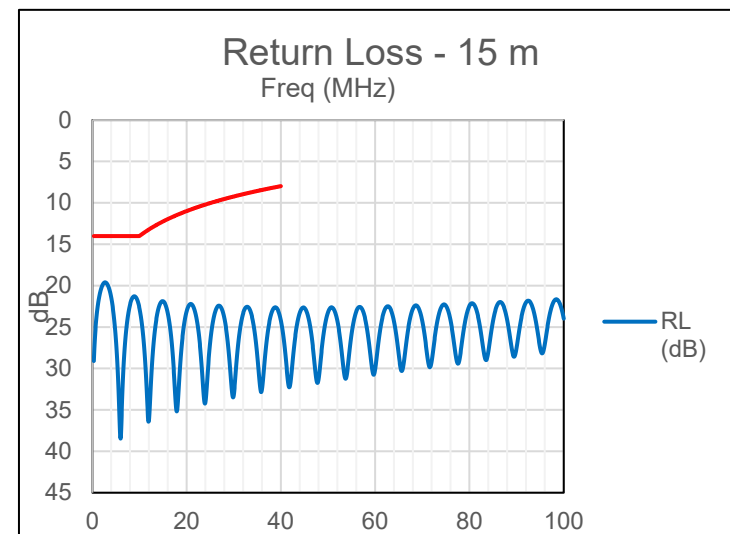
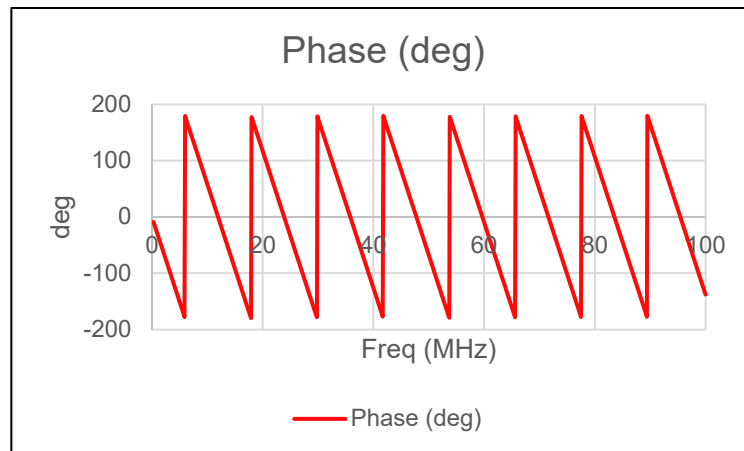
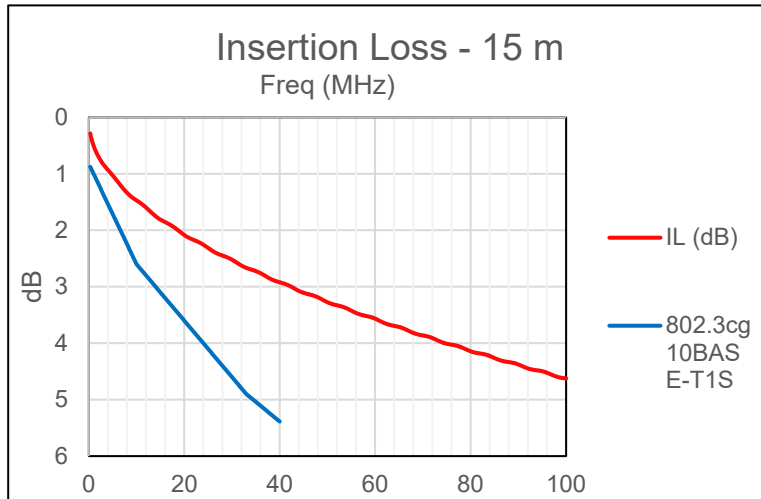
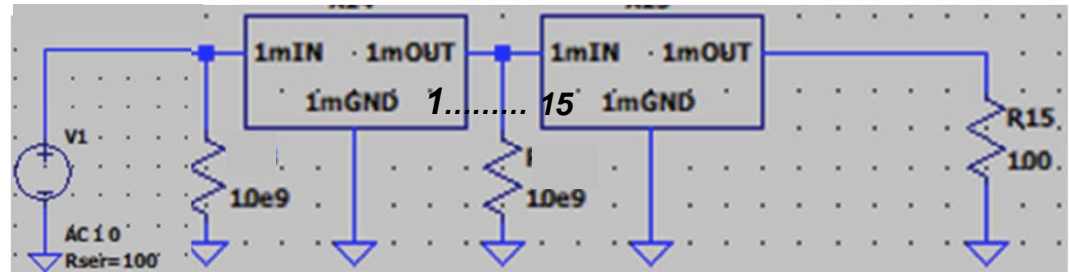


- Spice model 1 m cable sections



Analysis Cable model – 15 meters

- 1 m - 15 sections

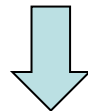
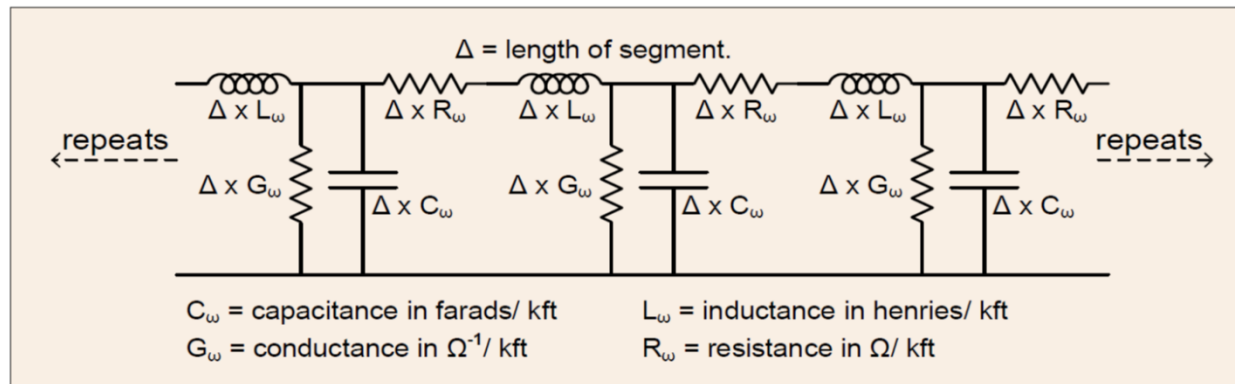


Consistent with >>10SPE Study Group Automotive Channel for Multi-Drop Stefan Buntz, Daimler AG

http://www.ieee802.org/3/10SPE/public/adhoc/buntz_10_SPE_03_1005.pdf

Analysis Cable model

- SPICE's built in transmission line models or lumped component sub-circuit approximations not sufficient for transient analysis

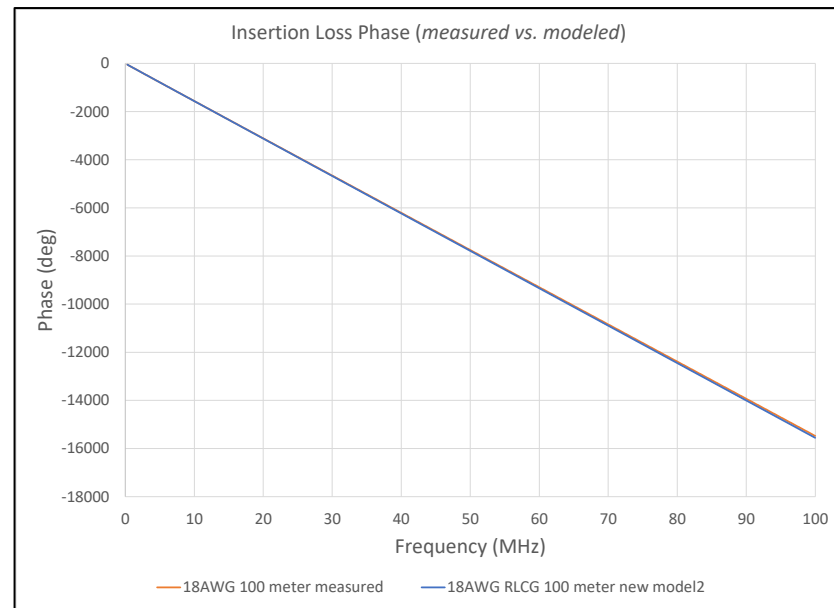
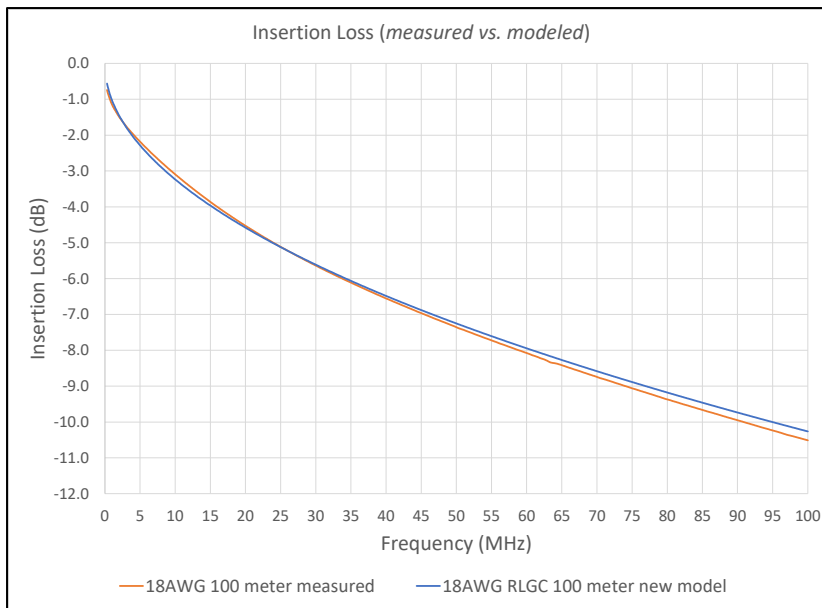


SPICE Simulation of Transmission Lines
by the Telegrapher's Method

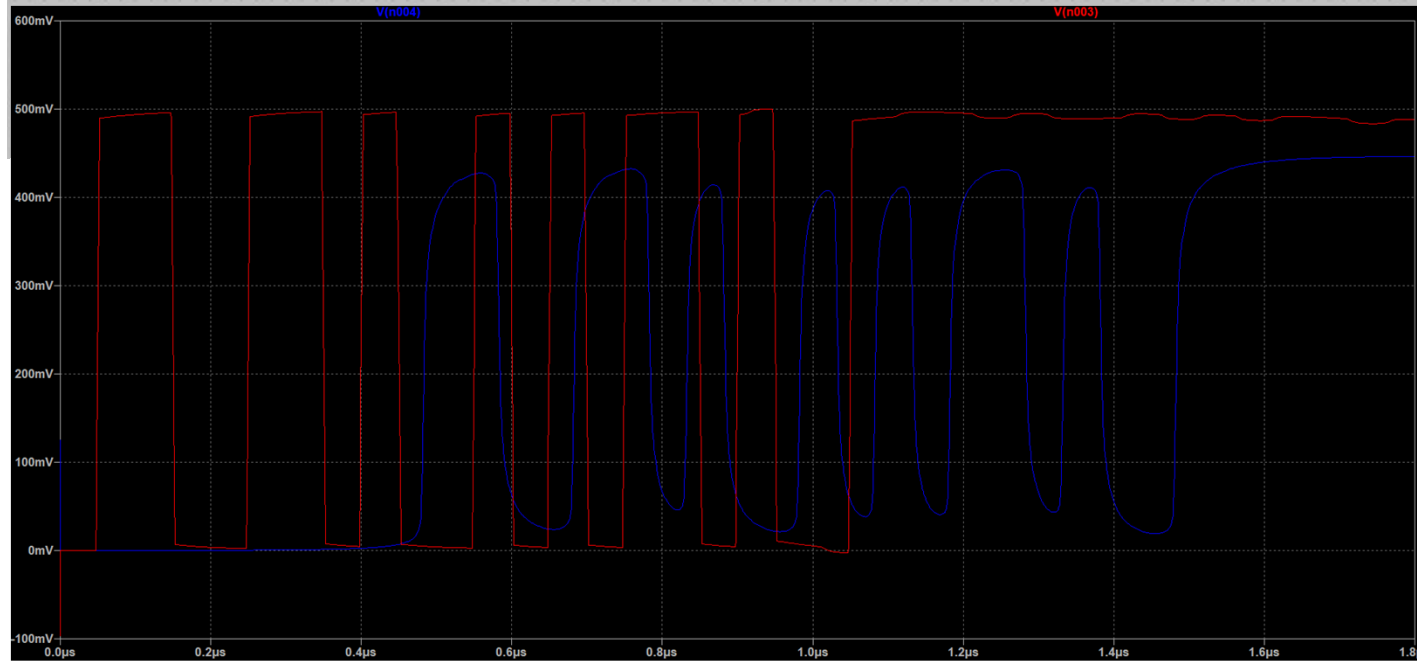
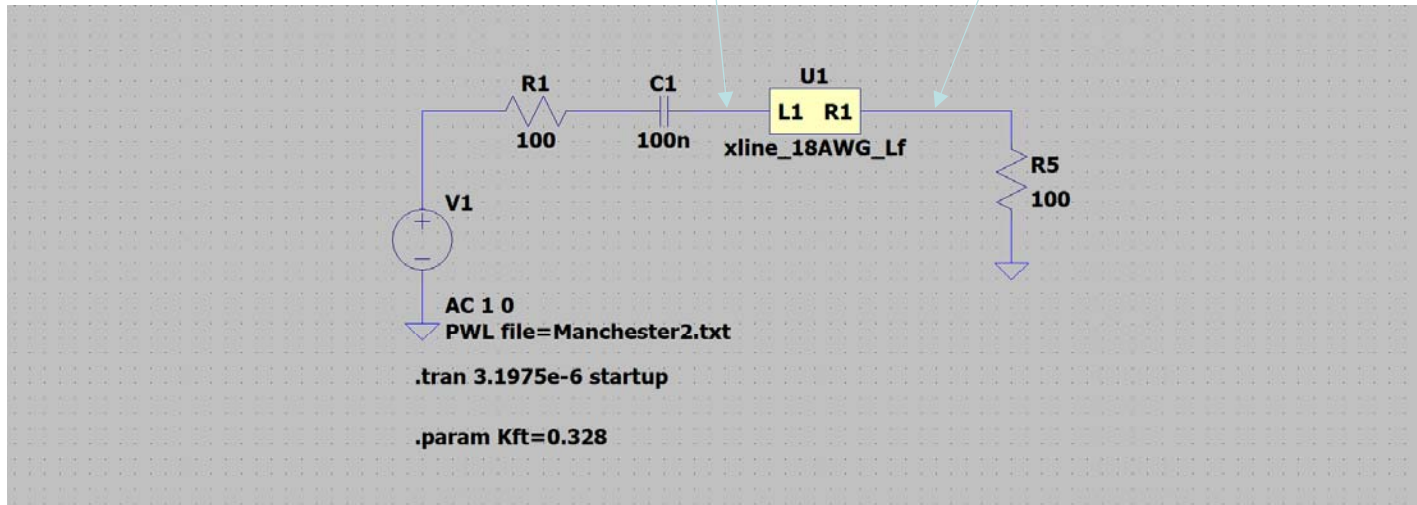
<https://www.eetimes.com/spice-simulation-of-transmission-lines-by-the-telegraphers-method-part-1-of-3/>

Analysis Cable model – New

- SPICE Circuit Model

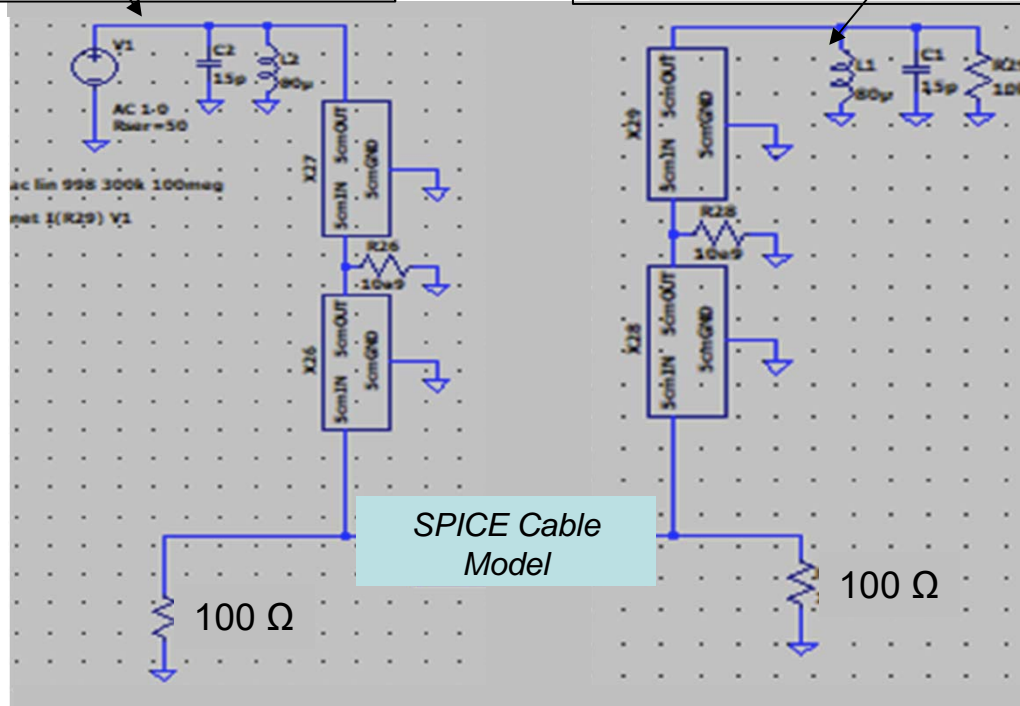
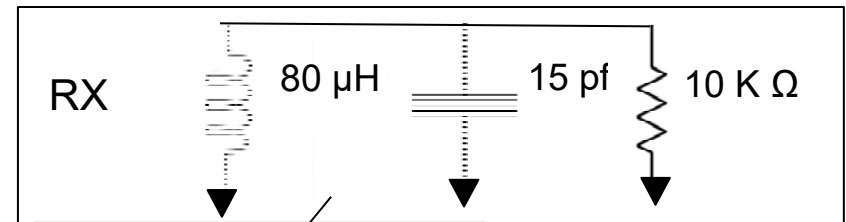
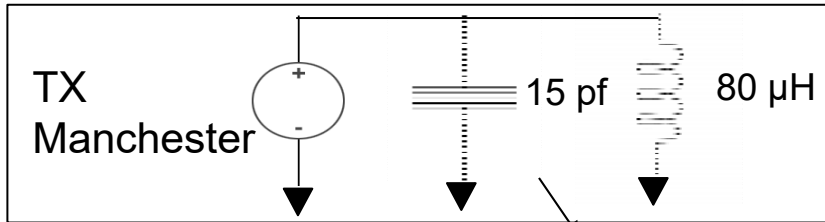


Analysis Cable model



10 Mb/s SPMD Enhancement TG

Source and Load with PoDL



Summary recommendations

- Cable spice model introduced
- Analysis to follow