

“Splitting IEEE P802.3df”

Proposed Project Documentation Packages

John D'Ambrosia,
Chair, IEEE P802.3df Task Force
Futurewei, U.S. Subsidiary of Huawei

Mark Nowell
Vice-Chair, IEEE P802.3df Task Force
Cisco

Matt Brown
Chief Editor, IEEE P802.3df Task Force
Huawei

12 July 2022

Current Status

- Presentation is being given with our leadership “hats” on.
- This presentation is our interpretation of conversations in Task Force Meetings and associated interim teleconference meetings.
- Progress on 100 Gbps/lane-based objectives have proceeded at a quicker pace than 200 Gbps/lane-based objectives, as discussed in [dambrosia_3df_01_220517.pdf](#).
- It is anticipated that there are significantly different timelines between these groups of objectives, suggesting IEEE P802.3df Project should be “split”
 - 400 GbE and 800 GbE Objectives based on 100 Gbps/lane solutions
 - 200 GbE, 400 GbE, 800 GbE, and 1.6 TbE based on 200 Gbps/lane solutions
- This presentation summarizes the proposed modified 802.3df project documentation and the 802.3dj project documentation.
- This presentation explores the two proposed project timelines.

Documentation Packages

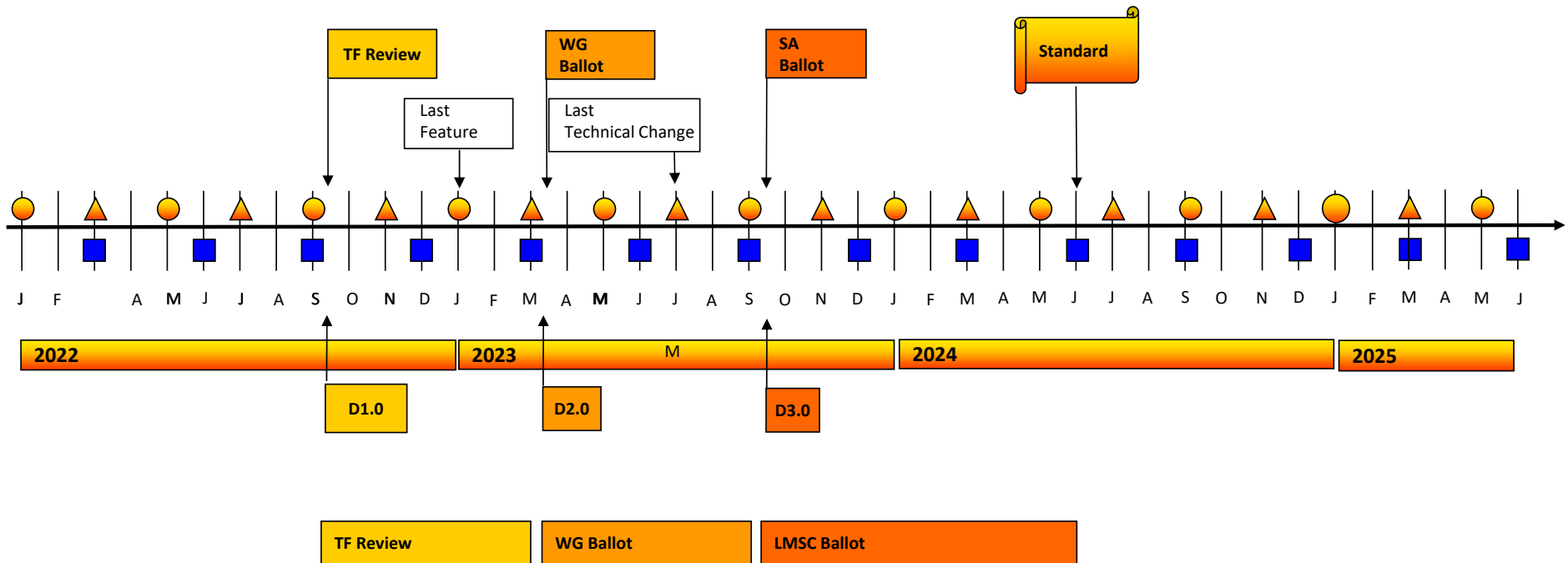
■ Modified IEEE P802.3df Project

- Proposed Objectives – dambrosia_3df_02_2207.pdf
- Proposed PAR Response – dambrosia_3df_03_2207.pdf
- Proposed CSD Response – dambrosia_3df_04_2207.pdf

■ New IEEE P802.3dj Project

- Proposed Objectives – dambrosia_3df_05_2207.pdf
- Proposed PAR Response – dambrosia_3df_06_2207.pdf
- Proposed CSD Response – dambrosia_3df_07_2207.pdf

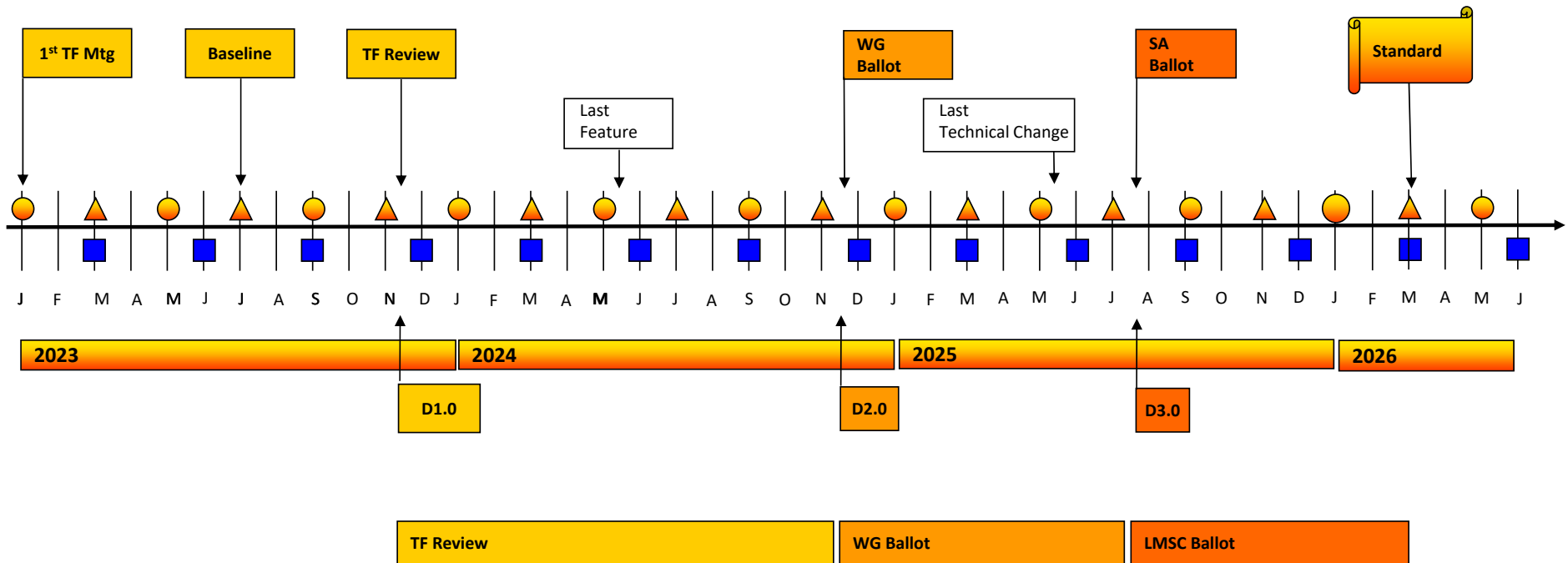
Proposed IEEE P802.3df Timeline



Legend

- ▲ IEEE 802 Plenary
- IEEE 802.3 Interim
- IEEE-SA Standards Board

Proposed IEEE P802.3dj Timeline



Legend

- ▲ IEEE 802 Plenary
- IEEE 802.3 Interim
- IEEE-SA Standards Board