

IEEE P802.3dj: Timeline Update Discussion

**IEEE 802 Nov 2023 Plenary
IEEE P802.3dj TF Meeting**

**John D'Ambrosia, Futurewei, U.S. Subsidiary of Huawei
Chair, IEEE P802.3dj Task Force**

Introduction

- **Current adopted timeline (See Slide #5) unlikely to be met**
 - **Large number of baselines not proposed or adopted**
- **Resolution of Motion #4 / July 2023 critical to optical baselines**
- **Cu baselines needed**
- **See Slides #6 and #7 for potential proposed updates**
- **Impact**
 - **Potential delay to IEEE P802.3dj Std**
 - **Mar 2026 to Sept 2026**

Summary IEEE P802.3dj Progress @ End of 16 Nov 2023 Meeting – Logic

	AUI	Backplane	CU Cable	SMF 500m/2km	SMF 10km 4 Wavelength	SMF 10km 1 Wavelength	SMF 40km
Ethernet Rate	PCS/FEC/PMA?	PCS/FEC/PMA?	PCS/FEC/PMA?	PCS/FEC/PMA?	PCS/FEC/PMA?	PCS/FEC/PMA?	PCS/FEC/PMA?
200 Gb/s							
400 Gb/s							
800 Gb/s							Two proposals
1.6 Tb/s							

Adopted baselines

Proposed Baselines

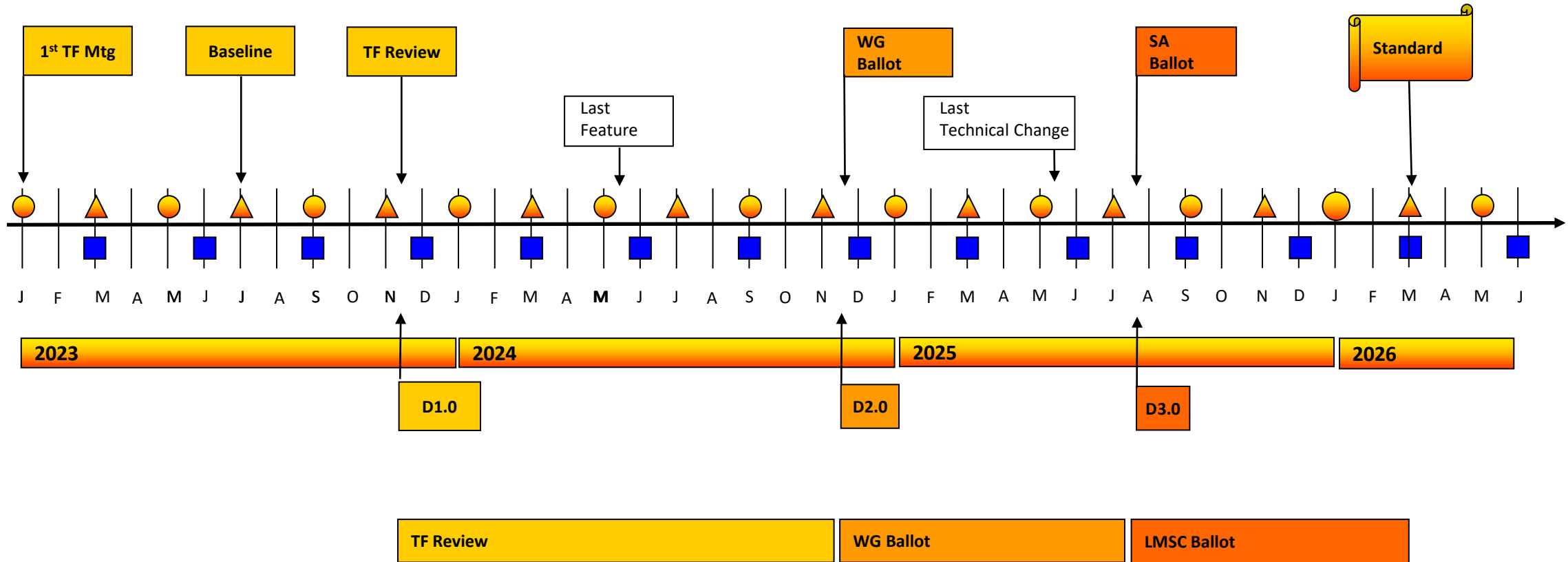
Summary IEEE P802.3dj Progress @ End of 16 Nov 2023 Meeting – PMDs (& AUIs)

Ethernet Rate	Assumed Signaling Rate	AUI	Backplane	Cu Cable	SMF 500m	SMF 2km	SMF 10km	SMF 40km
200 Gb/s	200 Gb/s	200GAUI-1 C2C C2M	200GBASE-KR1	200GBASE-CR1	200GBASE-DR1	200GBASE-FR1		
400 Gb/s	200 Gb/s	400GAUI-2 C2C C2M	400GBASE-KR2	400GBASE-CR2	400GBASE-DR2	400GBASE-DR2-2		
800 Gb/s	200 Gb/s	800GAUI-4 C2C C2M	800GBASE-KR4	800GBASE-CR4	1. 800GBASE-DR4 2. 800GBASE over 4λ	1. 800GBASE-DR4-2 2. 800GBASE-FR4	800GBASE-LR4	
	800 Gb/s						Over single SMF in each direction Coherent	Over single SMF in each direction Coherent
1.6 Tb/s	100 Gb/s	1.6TAUI-16 C2C C2M						
	200 Gb/s	1.6TAUI-8 C2C C2M	1.6TBASE-KR8	1.6TBASE-CR8	1.6TBASE-DR8	1.6TBASE-DR8-2		

Adopted baselines

Proposed Baselines

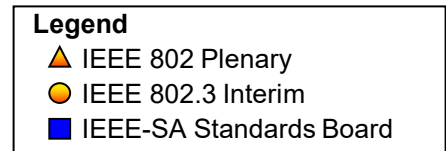
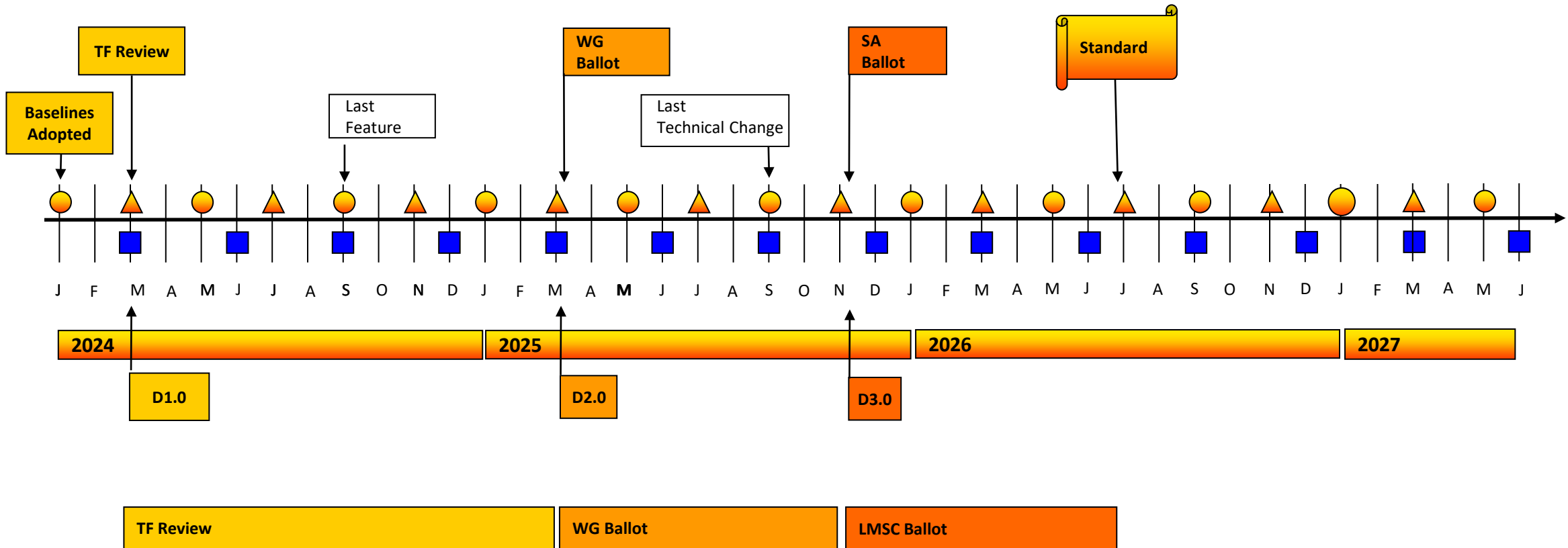
Adopted IEEE P802.3dj Timeline (16 Jan 2023)



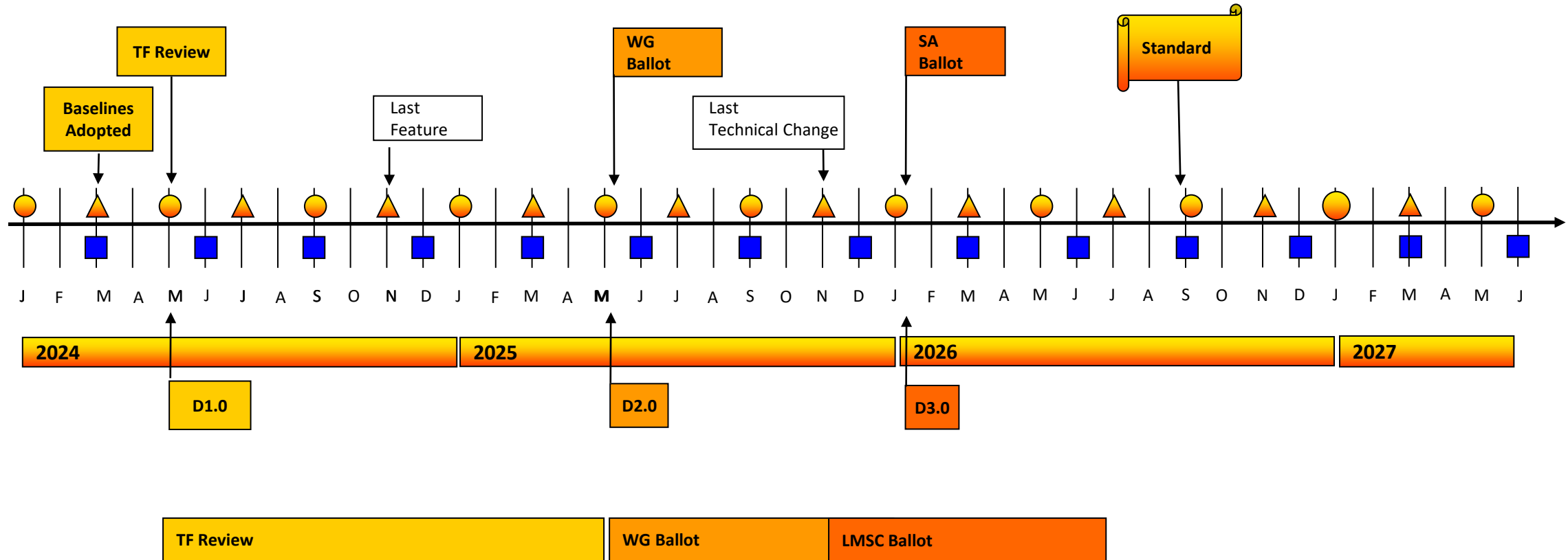
Legend

- ▲ IEEE 802 Plenary
- IEEE 802.3 Interim
- IEEE-SA Standards Board

Option #1 - Update IEEE P802.3dj Timeline



Option #2 - Update IEEE P802.3dj Timeline



Legend

- ▲ IEEE 802 Plenary
- IEEE 802.3 Interim
- IEEE-SA Standards Board