

Proposed Detailed Near Term Schedule

**IEEE P802.3dj Task Force
IEEE 802 Mar 2024 Plenary
Denver, Co, USA**

IEEE P802.3dj Task Force Leadership

John D'Ambrosia (Chair)
Futurewei, U.S. Subsidiary of Huawei

Matt Brown (Chief Editor)
Alphawave Semi

Mark Nowell (Vice-Chair / Chair Optics Track)
Cisco

Kent Lusted (Chair Electrical Track)
Intel

Gary Nicholl (Chair Logic/Architecture Track)
Cisco



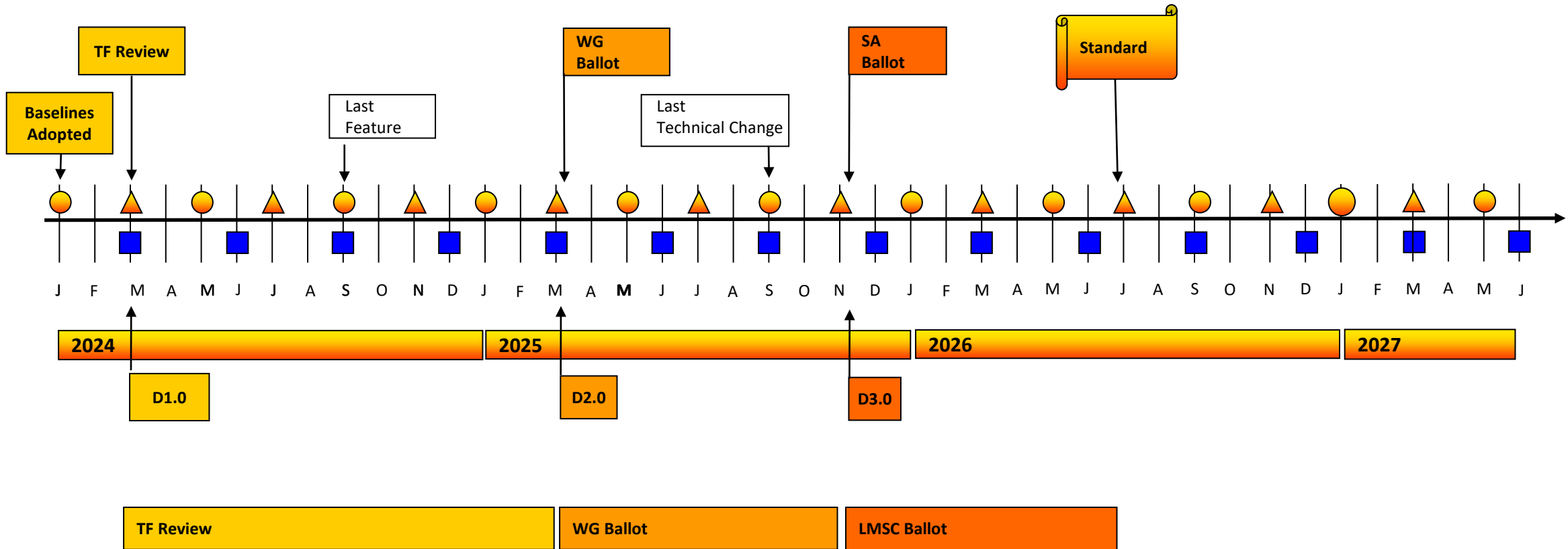
Introduction

- **This presentation reviews the near-term implementation of the adopted IEEE P802.3dj time-line**
- **Ultimate goal for the Task Force Review Phase – get to WG Ballot**
- **Project Challenges**
 - **Timeline**
 - **Concerns**
 - **Anticipating significant number of comments**
 - **Amount of new technical content in D1.0**
 - **Baseline refinement**
 - **Time and resource efficiency**

Getting to WG Ballot

- IEEE 802.3 WG Operations Manual (https://www.ieee802.org/3/rules/P802_3_rules.pdf)
- 2.6.2 Draft Standard Balloting Requirements
Before a draft is submitted to WG letter ballot it shall in addition have met the following requirements:
 - a) It must be complete with no open technical issues.
 - b) It must be made available for pre-view by the membership at least 10 days prior to the Working Group meeting where the draft will be considered. If any changes are made to the draft after it was made available for pre-view, the changes shall be presented for review prior to the vote for approval to go to WG ballot.
 - c) It must be formatted according to the IEEE style selected by the WG Chair. This style will be selected to minimize the editorial work required for publication of the draft.
 - d) During a plenary week, it must be approved for submittal to WG ballot at the WG closing plenary.

Adopted IEEE P802.3dj Timeline (28 Nov 2023)



Legend

- ▲ IEEE 802 Plenary
- IEEE 802.3 Interim
- IEEE-SA Standards Board

Near Term Schedule

Week	Mon	Tues	Wed	Thurs	Fri	Notes	Conflicts
3/11	Plenary	Plenary	Plenary	Plenary	--	IEEE 802 Plenary (Denver, CO)	
3/18	edit	edit	edit	edit	edit	Editorial Team Create D1.0	OFC
3/25	edit	edit	edit	edit	edit		
4/01	edit	edit	edit	edit	edit		
4/08	edit	edit	post	Open	review		
4/15	review	review	review	review	review	Initial Task Force Review	
4/22	review	review	review	review	review		
4/29	review	review	review	Close			
5/06	--	--	--	--	--	IEEE 802.3 mtg moratorium	OIF meeting
5/13	Interim	Interim	Interim	Interim	--	IEEE 802.3 Interim - Supporting Presentations	
5/20	responses	responses	responses	responses	responses	Editorial Team Generate Proposed Responses	
5/27	responses	responses	responses	responses	responses		
6/03	meeting	meeting	meeting	meeting	--	Comment Resolution Teleconference Calls	
6/10	meeting	meeting	meeting	meeting	--		

Near Term Key Dates

- **Task Force Review (D1.0) - 21 Days**
 - **Opens – 4/11**
 - **Closes – 5/2**
- **May Interim – Review presentations for supporting comments**
 - **Presentation Request Date – 5/2**
 - **Presentations Due – 5/7**
- **May Interim – Week of May 13**
- **June Teleconference – Presentations related to supporting comments**
 - **Presentation Request Date – 5/23**
 - **Presentations Due – 5/28**
- **2 Weeks of Teleconferences (9am – 1pm ET)**
 - **6/3 – 6/6**
 - **6/10 – 6/13**

Comment Submission for D1.0

- **Significant number of technical comments anticipated**
 - **Technical comments are the priority!**
 - **Complete gaps**
 - **Close TBDs**
 - **Refine current technical correctness of draft**
 - **Discouraging submission of editorial comments**
 - **Any submitted editorial comments will be left to editorial discretion (See Backup)**
- **Editorial team will utilize comment groupings**
 - **“Big Ticket”**
 - **“Contingent” (dependent upon resolution of “Big Ticket” items as determined by Editorial Team)**
 - **“Editorial”**
 - **Editors will address at their discretion**

Going Forward

- **The initial review cycle for D1.0 will be shorter (21 days) than typical (30 days)**
 - **The scope of the draft will be left open for multiple drafts (anticipate at this time at least for D1.0 – D1.2)**
 - **The scope of the draft will begin to tighten at later point as determined by leadership**
- **Supporting presentations for submitted D1.0 comments will be heard at the May Interim**
- **Comment resolution will be by teleconference (6/3-6/6 and 6/10-6/13)**
- **D1.1 will be generated based on D1.0 and closed comments**
 - **All comments may not be considered (time constraints)**
 - **Priority – 1) “Big Ticket” 2) “Contingent”**
 - **It is the responsibility of the commenter to resubmit if not addressed**
 - **Editorial comments will be dealt with by editorial discretion**
- **Re-evaluate process with each new draft cycle**

BACKUP

IEEE SA Stds Board Operations Manual

5.4.3.3 Comments in the ballot

Comments addressing grammar, punctuation, and style, whether attached to an Approve or a Do Not Approve vote, may be referred to the publications editor for consideration during preparation for publication. It should be borne in mind that proposed standards are professionally edited prior to publication.