

Impact on Project Timeline

**IEEE P802.3dj Task Force
Joint Optics / Logic Ad Hoc
02 Nov 2023**



John D'Ambrosia, Futurewei, U.S. Subsidiary of Huawei

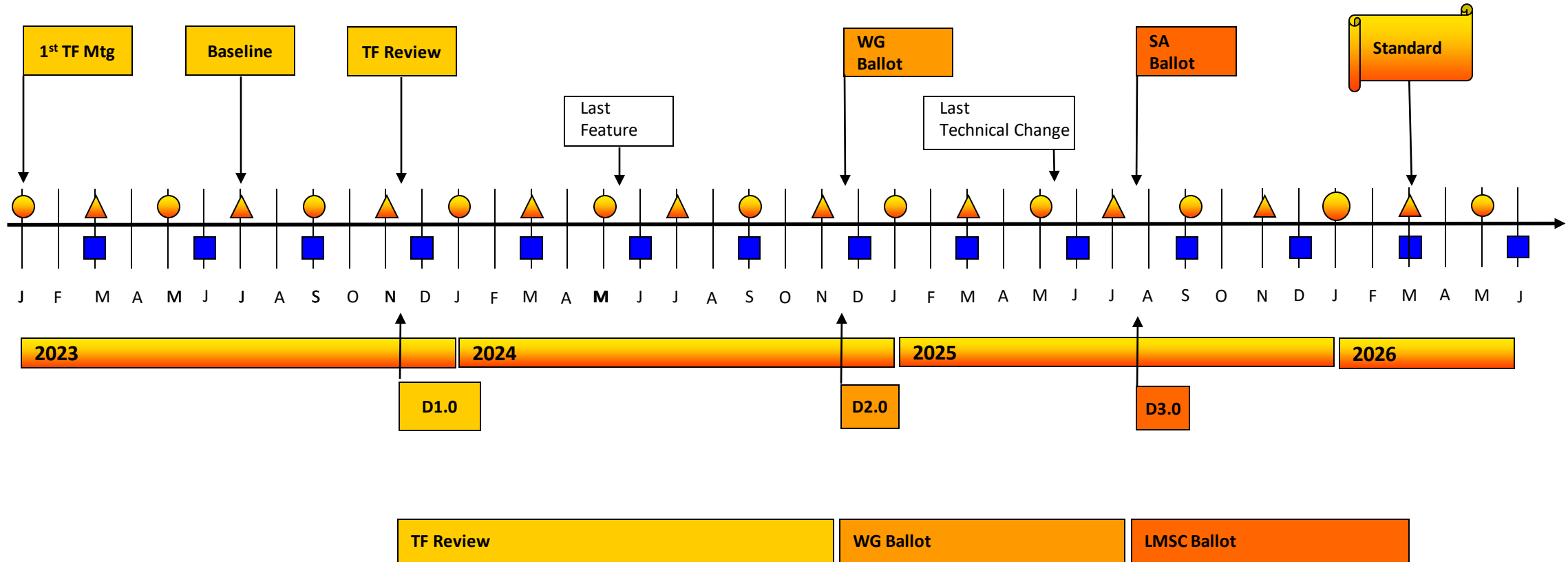
Introduction – Review

- Debate related to July 2023 - Motion #4 has contributed to delay of overall project progress
 - Adopted direction to “adding an option to support only RS544 FEC (aka Bypass Inner FEC) for the single wavelength 500m and 2km optical PMDs”
- A TF decision on how to address Motion #4 is necessary
- This presentation addresses potential update to the IEEE P802.3dj project timeline

Timeline Discussions

- **Slide #4 – current adopted schedule**
- **Slide #5 – assumes decision made @ Nov 2023
Plenary and baselines come in for Jan 24
Interim**
- **Slide #6 – assumes decision made @ Jan 2024
Interim and baselines comes in for Mar 24
Plenary**
- **Impact**
 - **Potential delay to IEEE P802.3dj Std**
 - **Mar 2026 to Sept 2026**

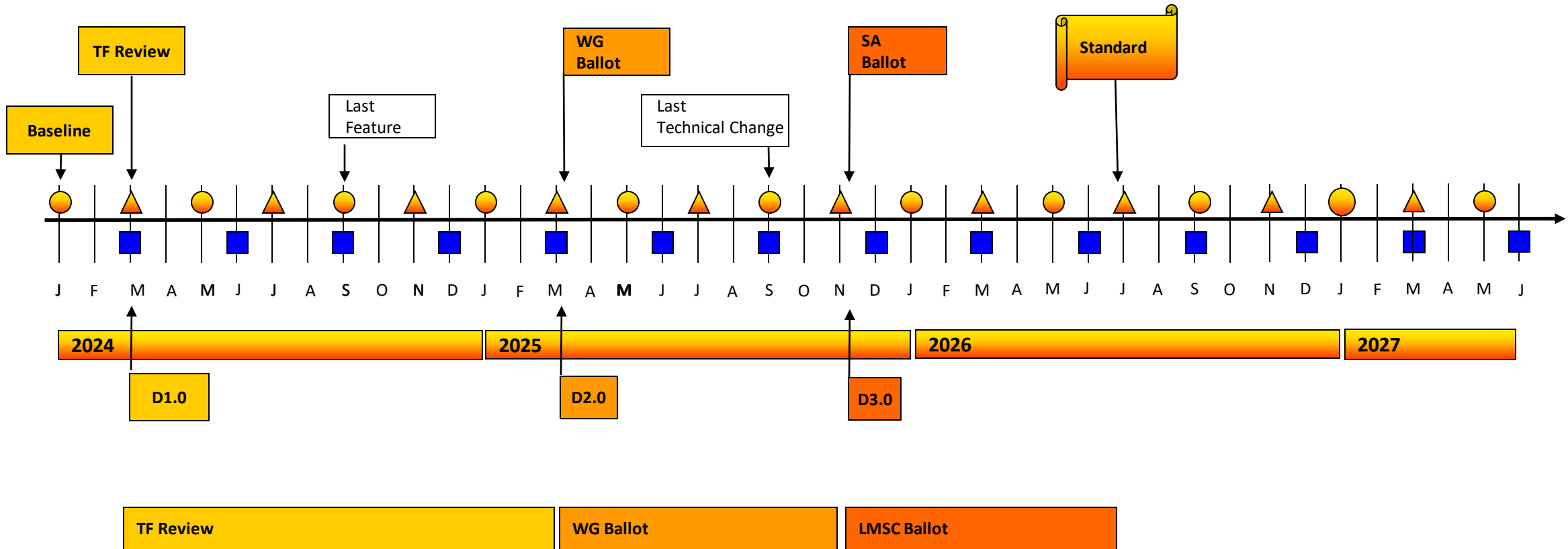
Adopted IEEE P802.3dj Timeline (16 Jan 2023)



Legend

- ▲ IEEE 802 Plenary
- IEEE 802.3 Interim
- IEEE-SA Standards Board

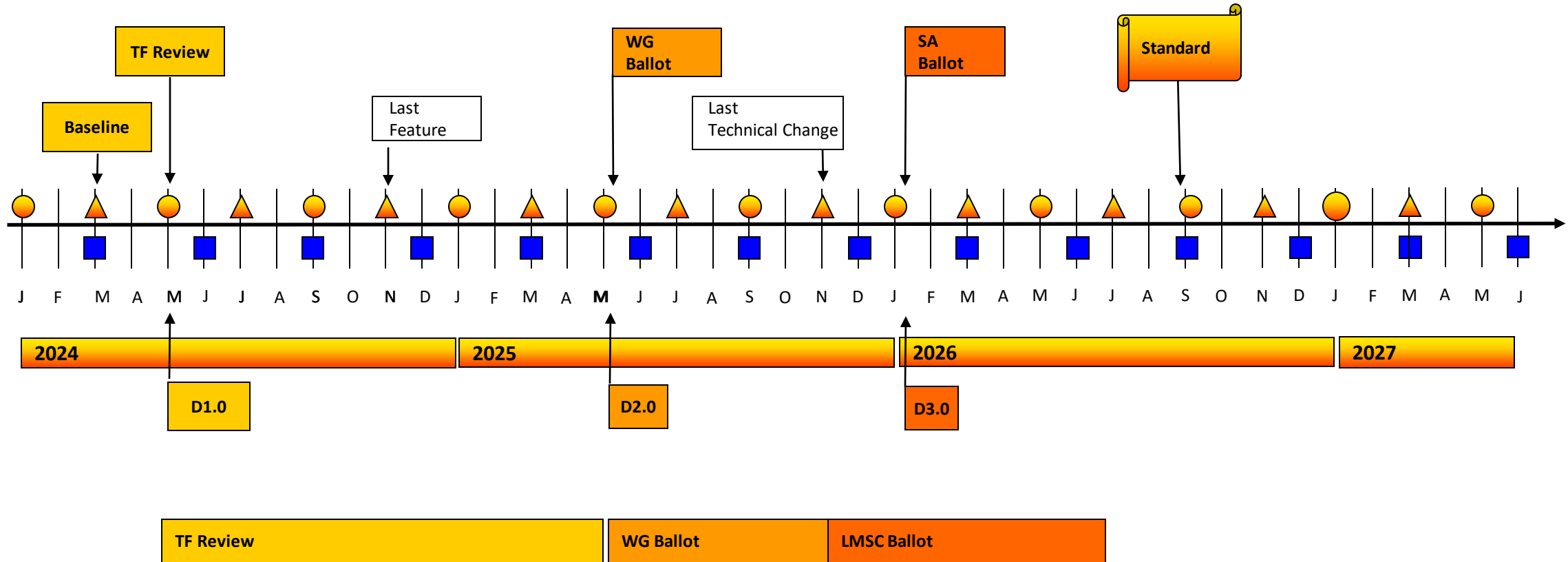
Option #1 - Update IEEE P802.3dj Timeline



Legend

- ▲ IEEE 802 Plenary
- IEEE 802.3 Interim
- IEEE-SA Standards Board

Option #2 - Update IEEE P802.3dj Timeline



Legend

- ▲ IEEE 802 Plenary
- IEEE 802.3 Interim
- IEEE-SA Standards Board