

Overview of 10G Ethernet Family

David Law

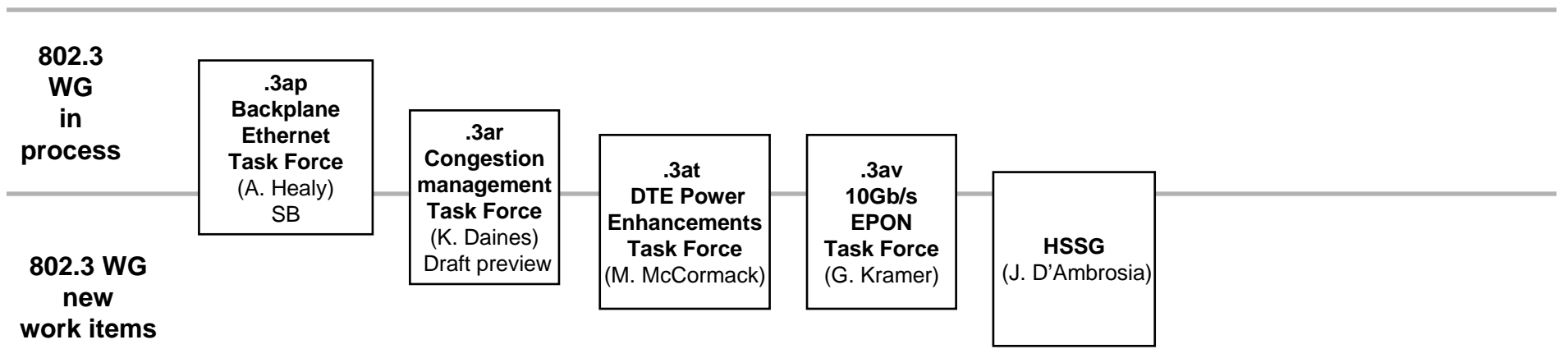
3Com

20th September 2006

Knoxville, TN

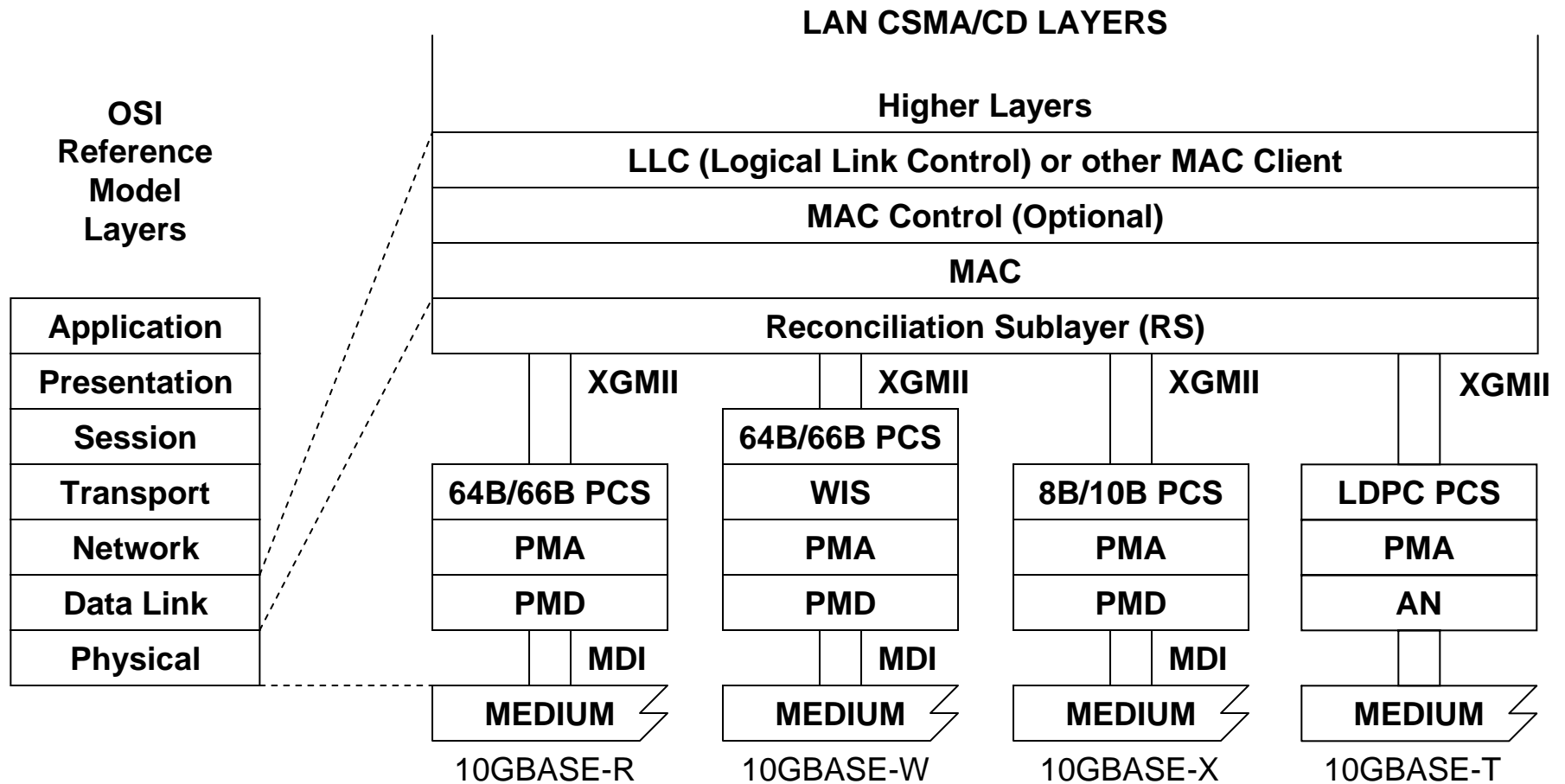
IEEE 802.3 Working Group Standards Status

<p>ISO/IEC approved</p>	<p>ISO/IEC 8802-3:2000</p>										
<p>ANSI/IEEE approved</p> <div style="border: 1px solid black; padding: 5px; margin: 5px;"> <p>IEEE Std 802.3-2005/Cor 1-2006 Corrigenda 1 Published 26-Jun-06</p> </div> <div style="border: 1px solid black; padding: 5px; margin: 5px;"> <p>IEEE Std 802.3an-2006 10GBASE-T Published 1-Sep-06</p> </div> <div style="border: 1px solid black; padding: 5px; margin: 5px;"> <p>IEEE Std 802.3aq-2006 10GBASE-LRM Approved 20-Sep-06</p> </div> <div style="border: 1px solid black; padding: 5px; margin: 5px;"> <p>IEEE Std 802.3as-2006 Frame Extension Approved 20-Sep-06</p> </div>	<p>IEEE Std 802.3-2005 5 Books (Sections) Published 12-Dec-05</p> <table border="1" style="width: 100%; border-collapse: collapse;"> <tr> <td style="width: 20%; vertical-align: top;"> <p>Section 1 Clause 1 to 20 Annex A to H</p> <p>CSMA/CD Overview MAC PLS/AUI 10BASE5 MAU 10BASE2 MAU 10BROAD36 MAU 10BASE-T MAU 10BASE-F MAUs 10Mb/s Repeater 10Mb/s Topology</p> <p>1BASE5 DTE & MAU Mgmt Repeater Mgmt</p> </td> <td style="width: 20%; vertical-align: top;"> <p>Section 2 Clause 21 to 33 Annex 22A to 32A</p> <p>100Mb/s Overview MII 100BASE-T2 100BASE-T4 100BASE-TX 100BASE-FX 100Mb/s Repeater 100Mb/s Topology</p> <p>MAC Control Auto Negotiation Management</p> </td> <td style="width: 20%; vertical-align: top;"> <p>Section 3 Clause 34 to 43 Annex 36A to 43C</p> <p>1000Mb/s Overview GMII 1000BASE-X AutoNeg 1000BASE-SX 1000BASE-LX 1000BASE-CX 1000BASE-T 1000Mb/s Repeater 1000Mb/s Topology</p> <p>Link Aggregation</p> </td> <td style="width: 20%; vertical-align: top;"> <p>Section 4 Clause 44 to 54 Annex 44A to 50A</p> <p>10Gb/s Overview MDC/MDIO XGMII XAUI XSBI 10GBASE-SR 10GBASE-LR 10GBASE-ER 10GBASE-SW 10GBASE-LW 10GBASE-EW 10GBASE-LX4 10GBASE-CX4</p> <p>Maintenance 7</p> </td> <td style="width: 20%; vertical-align: top;"> <p>Section 5 Clause 56 to 67 Annex 58A to 67A</p> <p>Subscriber Access Overview OAM Multi-point MAC Control 100BASE-LX10 100BASE-BX10 1000BASE-LX10 1000BASE-BX10 1000BASE-PX10 1000BASE-PX20 10PASS-TS 2BASE-TL Subscriber Access Topology</p> </td> </tr> <tr> <td style="vertical-align: top;"> <p>Maintenance 6 Maintenance 7</p> </td> <td style="vertical-align: top;"> <p>DTE Power Maintenance 6 Maintenance 7</p> </td> <td style="vertical-align: top;"> <p>Maintenance 6 Maintenance 7</p> </td> <td></td> <td></td> </tr> </table>	<p>Section 1 Clause 1 to 20 Annex A to H</p> <p>CSMA/CD Overview MAC PLS/AUI 10BASE5 MAU 10BASE2 MAU 10BROAD36 MAU 10BASE-T MAU 10BASE-F MAUs 10Mb/s Repeater 10Mb/s Topology</p> <p>1BASE5 DTE & MAU Mgmt Repeater Mgmt</p>	<p>Section 2 Clause 21 to 33 Annex 22A to 32A</p> <p>100Mb/s Overview MII 100BASE-T2 100BASE-T4 100BASE-TX 100BASE-FX 100Mb/s Repeater 100Mb/s Topology</p> <p>MAC Control Auto Negotiation Management</p>	<p>Section 3 Clause 34 to 43 Annex 36A to 43C</p> <p>1000Mb/s Overview GMII 1000BASE-X AutoNeg 1000BASE-SX 1000BASE-LX 1000BASE-CX 1000BASE-T 1000Mb/s Repeater 1000Mb/s Topology</p> <p>Link Aggregation</p>	<p>Section 4 Clause 44 to 54 Annex 44A to 50A</p> <p>10Gb/s Overview MDC/MDIO XGMII XAUI XSBI 10GBASE-SR 10GBASE-LR 10GBASE-ER 10GBASE-SW 10GBASE-LW 10GBASE-EW 10GBASE-LX4 10GBASE-CX4</p> <p>Maintenance 7</p>	<p>Section 5 Clause 56 to 67 Annex 58A to 67A</p> <p>Subscriber Access Overview OAM Multi-point MAC Control 100BASE-LX10 100BASE-BX10 1000BASE-LX10 1000BASE-BX10 1000BASE-PX10 1000BASE-PX20 10PASS-TS 2BASE-TL Subscriber Access Topology</p>	<p>Maintenance 6 Maintenance 7</p>	<p>DTE Power Maintenance 6 Maintenance 7</p>	<p>Maintenance 6 Maintenance 7</p>		
<p>Section 1 Clause 1 to 20 Annex A to H</p> <p>CSMA/CD Overview MAC PLS/AUI 10BASE5 MAU 10BASE2 MAU 10BROAD36 MAU 10BASE-T MAU 10BASE-F MAUs 10Mb/s Repeater 10Mb/s Topology</p> <p>1BASE5 DTE & MAU Mgmt Repeater Mgmt</p>	<p>Section 2 Clause 21 to 33 Annex 22A to 32A</p> <p>100Mb/s Overview MII 100BASE-T2 100BASE-T4 100BASE-TX 100BASE-FX 100Mb/s Repeater 100Mb/s Topology</p> <p>MAC Control Auto Negotiation Management</p>	<p>Section 3 Clause 34 to 43 Annex 36A to 43C</p> <p>1000Mb/s Overview GMII 1000BASE-X AutoNeg 1000BASE-SX 1000BASE-LX 1000BASE-CX 1000BASE-T 1000Mb/s Repeater 1000Mb/s Topology</p> <p>Link Aggregation</p>	<p>Section 4 Clause 44 to 54 Annex 44A to 50A</p> <p>10Gb/s Overview MDC/MDIO XGMII XAUI XSBI 10GBASE-SR 10GBASE-LR 10GBASE-ER 10GBASE-SW 10GBASE-LW 10GBASE-EW 10GBASE-LX4 10GBASE-CX4</p> <p>Maintenance 7</p>	<p>Section 5 Clause 56 to 67 Annex 58A to 67A</p> <p>Subscriber Access Overview OAM Multi-point MAC Control 100BASE-LX10 100BASE-BX10 1000BASE-LX10 1000BASE-BX10 1000BASE-PX10 1000BASE-PX20 10PASS-TS 2BASE-TL Subscriber Access Topology</p>							
<p>Maintenance 6 Maintenance 7</p>	<p>DTE Power Maintenance 6 Maintenance 7</p>	<p>Maintenance 6 Maintenance 7</p>									



**802.3 WG
new
work items**

10Gb/s Layer Model



MDI = Medium Dependent Interface
 XGMII = 10 Gigabit Media Independent Interface
 PCS = Physical Coding Sublayer
 AN = Auto-Negotiation Sublayer

PMA = Physical Medium Attachment
 PMD = Physical Medium Dependent
 WIS = WAN Interface Sublayer

10Gb/s Layers and Interface(s)

XGMII

10 Gigabit Media Independent Interface
32 data (4 'lanes' of 8 bits),
4 control and 1 DDR clock

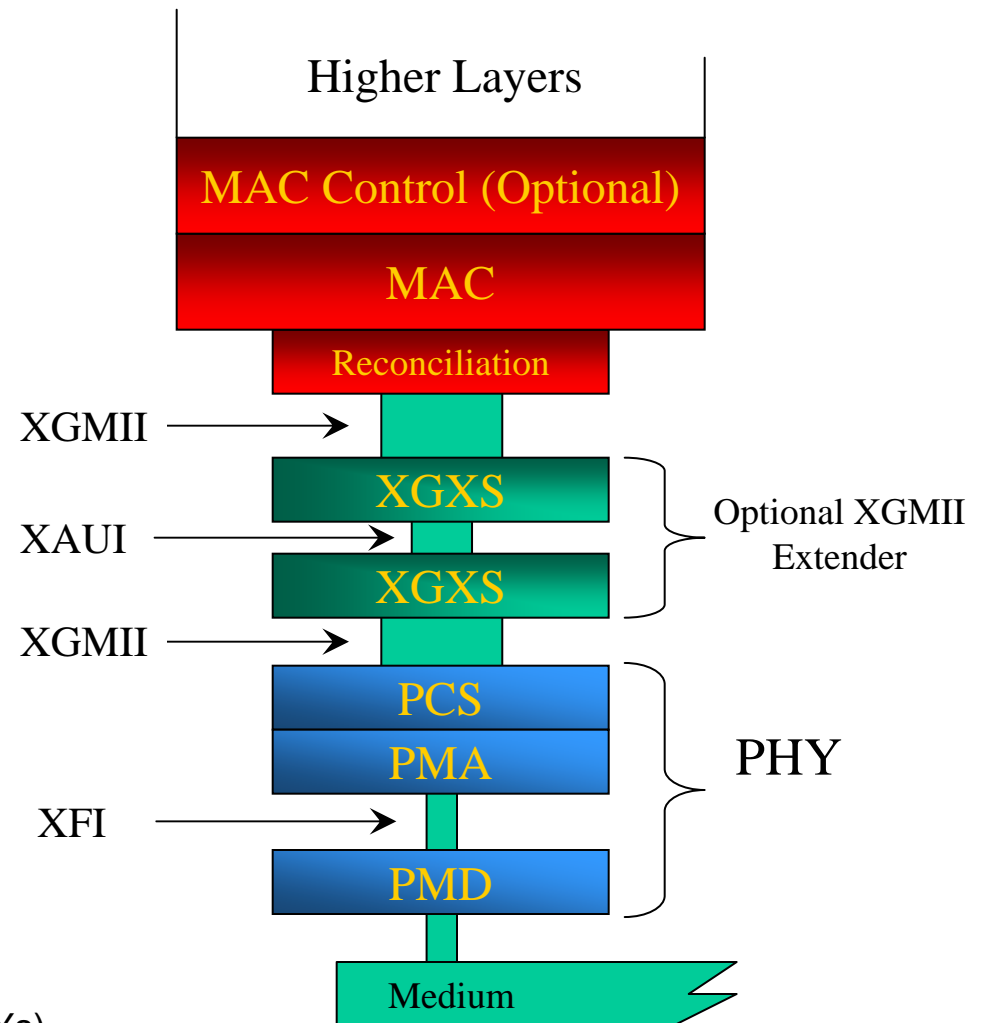
XAUI

10 Gb/s Attachment Unit Interface
4 serial lanes @ 2.5Gb/s
8B/10B encoded - 3.125GBaud/s

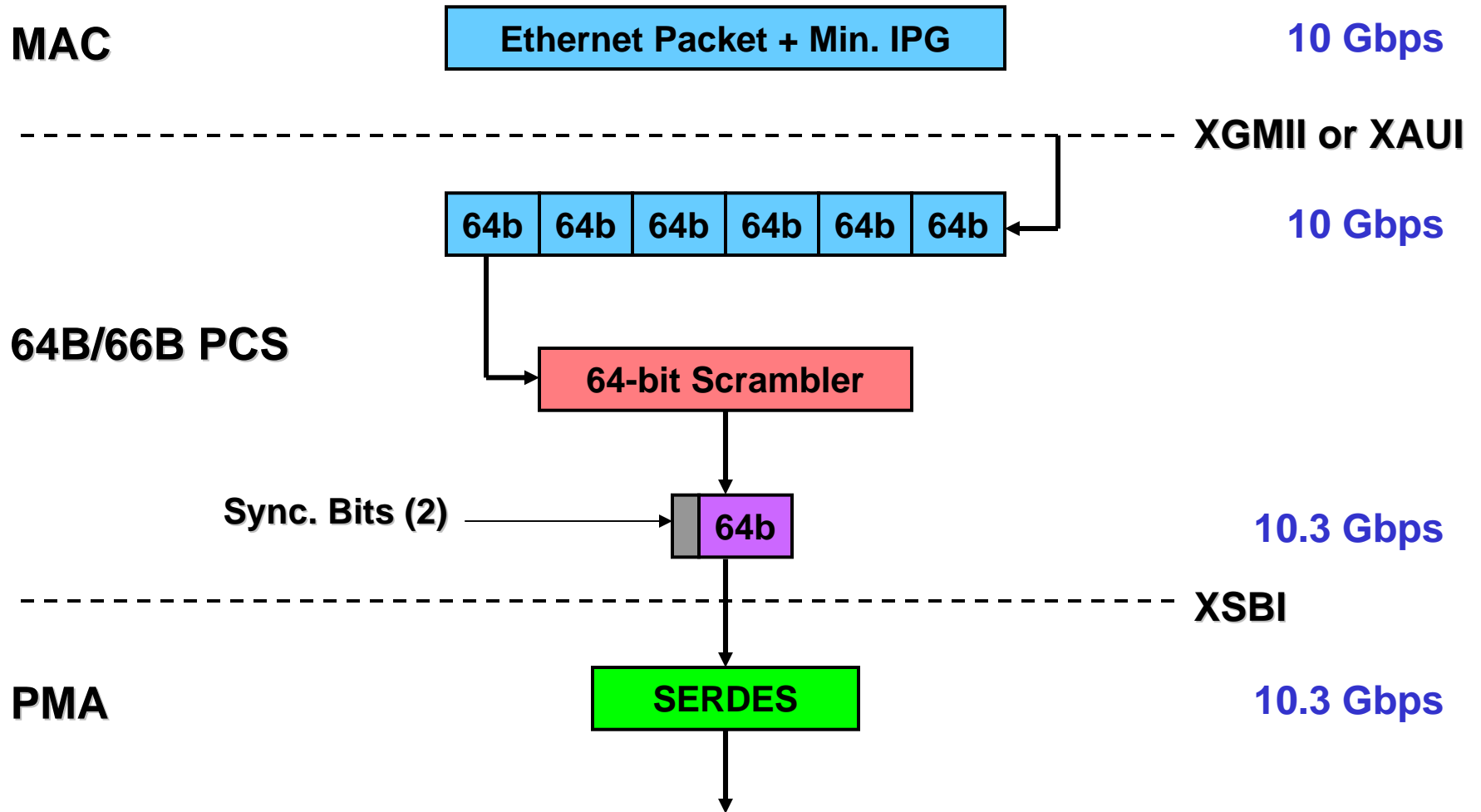
XFI (Not specified in IEEE Std 802.3)

10 Gb/s Serial Electrical Interface
Bit serial @ 10Gb/s
64B/66B encoded - 10.312GBaud/s

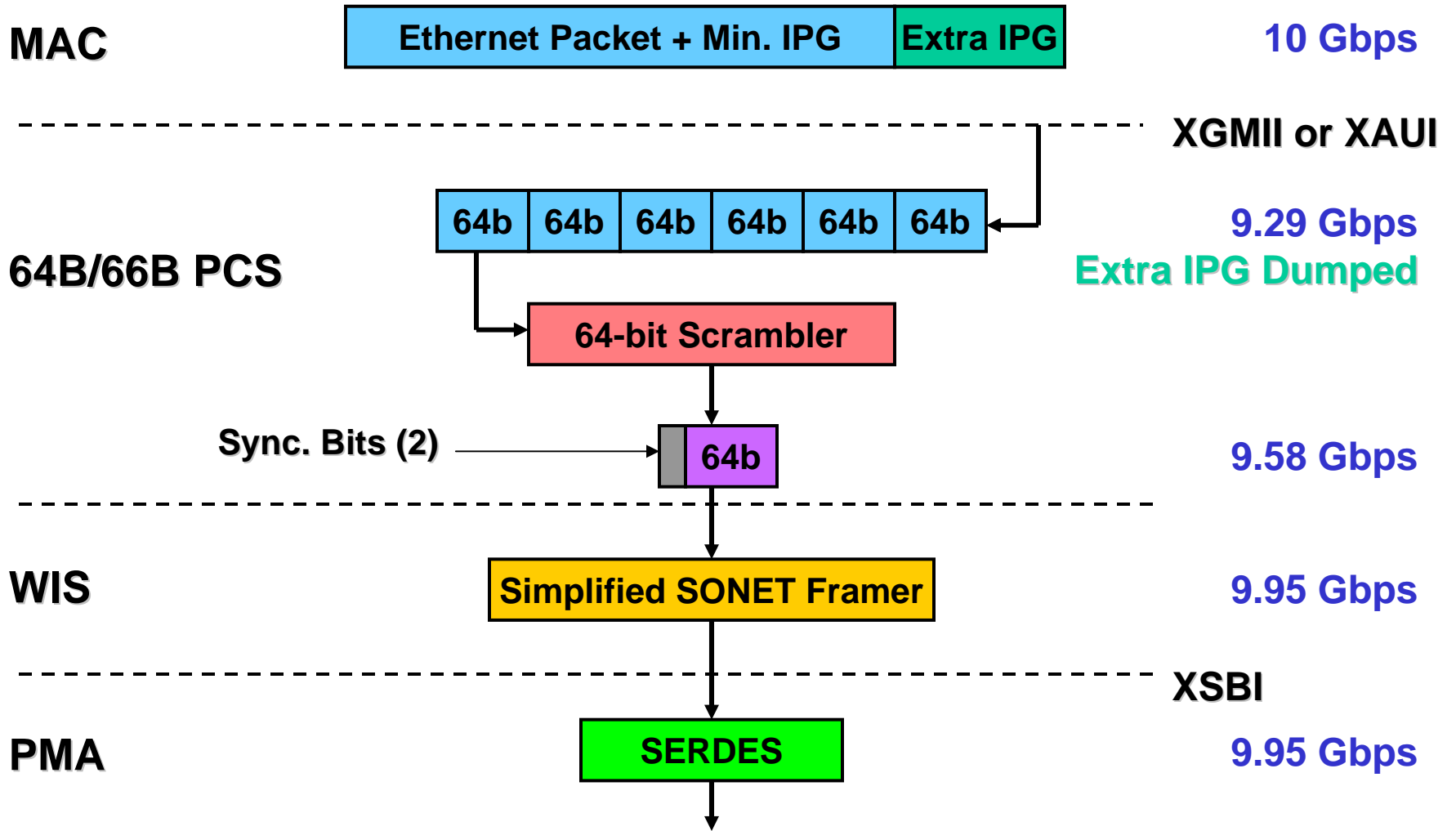
PCS = Physical Coding Sublayer
PMA = Physical Medium Attachment
PMD = Physical Medium Dependent (not for all PHYs)



10GBASE-R



10GBASE-W Serial



Overview of PMD Types

Optical	10GBASE-SR / W	850 nm	Serial	300 / 33 m	50 um / 62.5 um MMF
	10GBASE-LRM	1310 nm	Serial	220 m	50 um / 62.5 um MMF
	10GBASE-LX4	1310 nm	WDM	300 m 10 km	50 um / 62.5 um MMF Single Mode Fiber
	10GBASE-LR / W	1310 nm	Serial	10 km	Single Mode Fiber
	10GBASE-ER / W	1550 nm	Serial	40 km	Single Mode Fiber
Copper	10GBASE-CX4		4 Lanes	15 m	Twinaxial
	10GBASE-T		4 Pairs	100 m	UTP
Backplane	10GBASE-KX4		4 Lanes	1 m	Improved FR-4
(Project)	10GBASE-KR		Serial	1 m	Improved FR-4

Link Aggregation

OSI
Reference
Model
Layers

LAN CSMA / CD Layers

