

IEEE P802.3 Maintenance

July 12th, 2004
Portland, OR
David Law

Maintenance Request Status

- 51 Open Maintenance requests
- 24 new requests since March
- Current status of open requests -

Ready for ballot	30
Awaiting clarification	1
Errata	8
To be categorised	12
- Met 25th May 2004 in Long Beach
 - Categorised request received at that point

Revision request received since March 2004 plenary meeting

Num	Stat	Std	Subclause	Date	Subject
1135	B	802.3ae-2002	45.5.5.3	29-Apr-04	PMA/PMD management functions PICS
1136	B	802.3ae-2002	45.5.5.16	29-Apr-04	Electrical characteristics PICS
1137	B	802.3ae-2002	45.5.5.3	29-Apr-04	PMA/PMD management functions PICS
1138	B	802.3ae-2002	45.5	29-Apr-04	PICS for Clause 45, MDIO interface
1139	B	802.3-2002	1.4	21-May-04	Definition of CS0, CS1
1140	R	802.3-2002	5.2.4.2	21-May-04	Error in variable name
1141	B	802.3-2002	7.2.1.1.1	21-May-04	Formatting error
1142	B	802.3-2002	7.2.1.1.5	21-May-04	Mis-spelled word
1143	B	802.3-2002	Figure 7-6	21-May-04	Transition condition inversion
1144	B	802.3-2002	14.2.1.5	21-May-04	Typo in minimum value of range
1145	B	802.3-2002	14.2.3.2	21-May-04	Incorrect state name referenced
1146	R	802.3-2002	Figure 14-3	21-May-04	State transition error
1147	B	802.3-2002	Table 14-2	21-May-04	Text formatting error
1148	B	802.3-2002	Figure 27-1	21-May-04	Spurious text in figure
1149	E	802.3-2002	Figure 40C-2	25-May-04	Missing variable definition
1150	B	802.3-2002	Figure 40C-2	25-May-04	State machine error
1151	R	802.3ak-2004	54.6.3.2	1-Jun-04	Test Fixture Impedance
1152	R	802.3ah-2004	64.3.3.2	8-Jul-04	Variable error
1153	R	802.3ah-2004	64.3.3.5	8-Jul-04	Message error
1154	R	802.3ah-2004	64.2.2.1	8-Jul-04	Constants error
1155	R	802.3ah-2004	65.2.2.2	8-Jul-04	Functions error
1156	R	802.3ah-2004	Figure 64-22	8-Jul-04	State machine error
1157	R	802.3ah-2004	Figure 64-21	8-Jul-04	State machine error
1158	R	802.3ah-2004	65.2.3.2.3	8-Jul-04	Hamming distance of FEC markers

R- Received

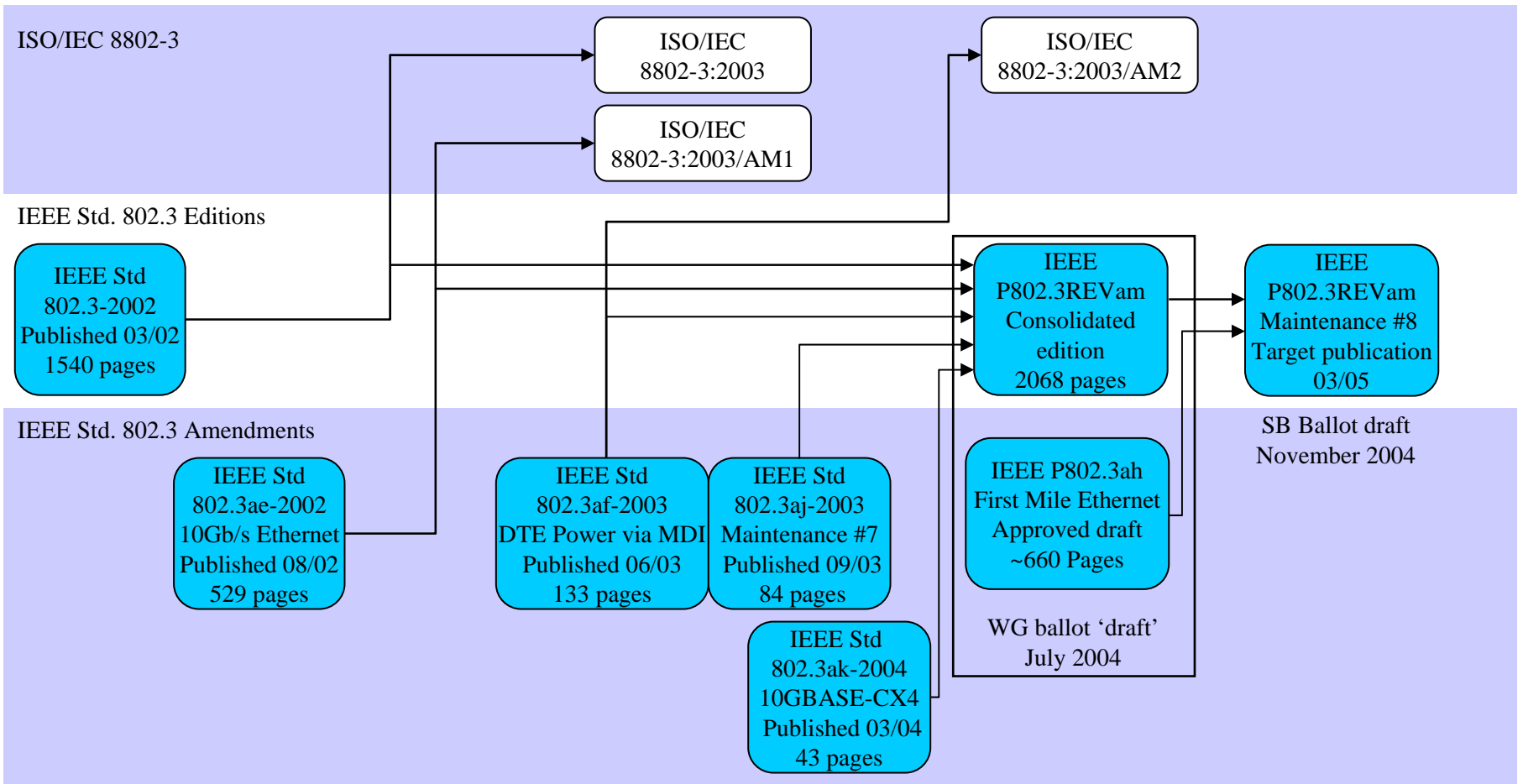
B - Ready for Ballot

E - Errata

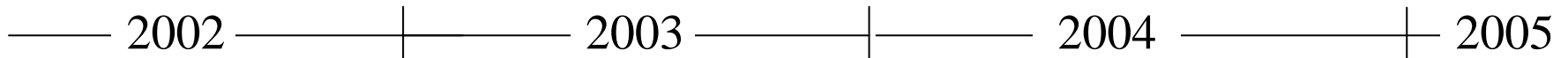
IEEE P802.3REVam Maintenance #8

- Met 25th May 2004 in Long Beach
 - Review requests
 - Selected requests to be included in 802.3REVam
- Draft D0.99 pre-circulated prior to this meeting
 - Excepting to request Working Group ballot on Thursday
 - Any addition requests that are selected for inclusion this week will be presented as textual changes prior to requesting ballot

IEEE Std 802.3REVam document plan



Note: Target publication date is target standards board approval plus three months.



IEEE P802.3REVam draft D0.99

- Part 1 – Consolidation

IEEE Std 802.3-2002 as modified by, IEEE Std 802.3ae-2002 10Gb/s Ethernet, IEEE Std 802.3af-2003 DTE Power via MDI, IEEE Std 802.3aj-2003 Maintenance #7 and IEEE Std 802.3ak-2004 10GBASE-CX4

- SECTION ONE: Clauses 1 through 20 and Annexes A through H.
 - SECTION TWO: Clauses 21 through 33 and Annexes 22A through 32A.
 - SECTION THREE: Clauses 34 through 43 and Annexes 36A through 43C.
 - SECTION FOUR: Clauses 44 through 54 and Annexes 44A through 50A.
- Part 2 - Approved draft of IEEE Std 802.3ah-2004 Ethernet in the First Mile
 - Part 3 - Maintenance requests

Plans for the week

- Maintenance committee meeting this week
 - Tentatively: Wednesday 1:00PM
 - Requests
 - Review status of existing revision requests
 - Classify new revision requests
 - IEEE P802.3REVam
 - Review pre-circulated draft
 - Consider inclusion of new requests

Maintenance Web Information

- The Maintenance web site is at:

<http://www.ieee802.org/3/maint/index.html>

- The Maintenance request form is available at:

http://www.ieee802.org/3/private/maint/revision_request.html

Username: *****

Password: *****

Password is case sensitive