




IEEE P802.3ba 40Gb/s and 100Gb/s Ethernet

Closing Plenary Report

Denver, CO
July 2008

John D'Ambrosia
jdambrosia@ieee.org



IEEE P802.3ba Task Force Organization

| | |
|--|---|
| <u>John D'Ambrosia</u> | Task Force Chair |
| <u>Ilango Ganga</u> | Task Force Chief Editor |
| <u>Mark Gustlin</u> | "Logic" Sub-task Force Chief Editor Editor – RS and PCS Clauses |
| <u>Chris DiMinico</u> | "Cu" Sub-task Force Chief Editor Editor – 40/100G Cu PMD |
| <u>Pete Anslow</u> | "Optical" Sub-task Force Chief Editor Editor – SMF PMD Clause(s) |
| <u>Hugh Barrass</u> | Editor – Mgmt Clauses |
| <u>Jonathan King</u> | Editor – SMF PMD Clause(s) |
| <u>Arthur Marris</u> | Editor – 40G Backplane Clauses |
| <u>Steve Trowbridge</u> | Editor – PMA Clause |
| <u>Piers Dawe</u> | Editor – 40/100G MMF PMD Clause Chair – "Statistical Eye" Ad Hoc |
| <u>Alessandro Barbieri</u> | Co-chair – Extended Reach Parallel MMF Ad Hoc |
| <u>John Petrilla</u> | Co-chair - Extended Reach Parallel MMF Ad Hoc |
| <u>George Oulundsen</u> | Task Force Secretary |
| <u>Frank Chang</u> | Task Force Web Master |

Reflector and Web

- To subscribe to the IEEE P802.3ba Task Force reflector, send an email to:

ListServ@ieee.org

with the following in the body of the message (do not include “<>”):

***subscribe stds-802-3-hssg <yourfirstname> <yourlastname>
end***

- Send IEEE P802.3ba Task Force reflector messages to:

STDS-802-3-HSSG@listserv.ieee.org

- Task Force web page URL:

http://www.ieee802.org/3/ba/

IEEE P802.3ba Private Area

- URL: <http://www.ieee802.org/3/ba/private/>
 - Username: 802.3ba
 - Password: xxxxxxxx
 - Password is case sensitive

- Write it down...

Task Force Approved Project Documents

■ PAR

- http://ieee802.org/3/ba/PAR/par_0308.pdf

■ 5 Criteria (pending IEEE 802 EC Approval)

- http://ieee802.org/3/ba/PAR/P802.3ba_5C_0308.pdf

■ Objectives

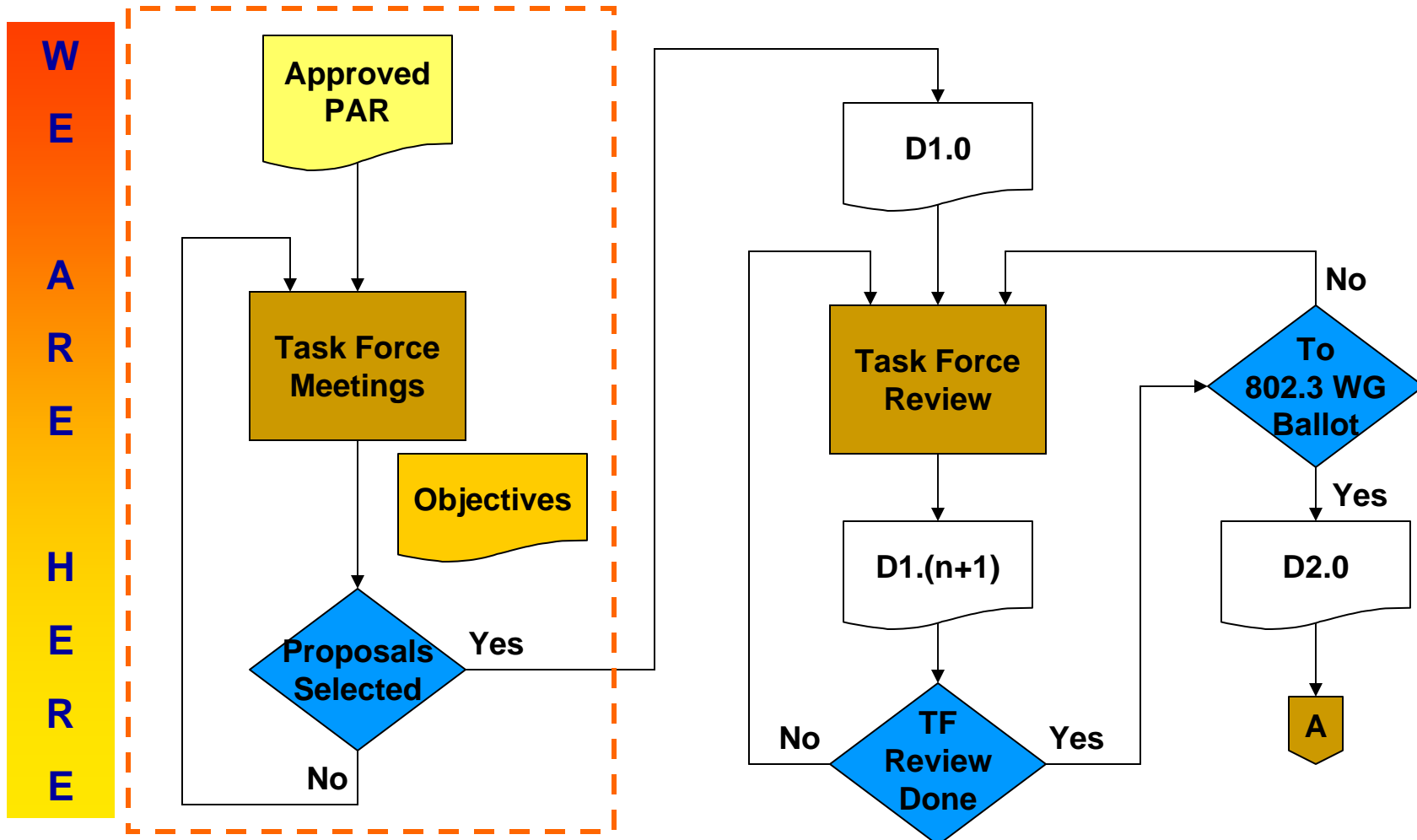
- http://ieee802.org/3/ba/PAR/P802.3ba_Objectives_0308.pdf

Task Force Objectives

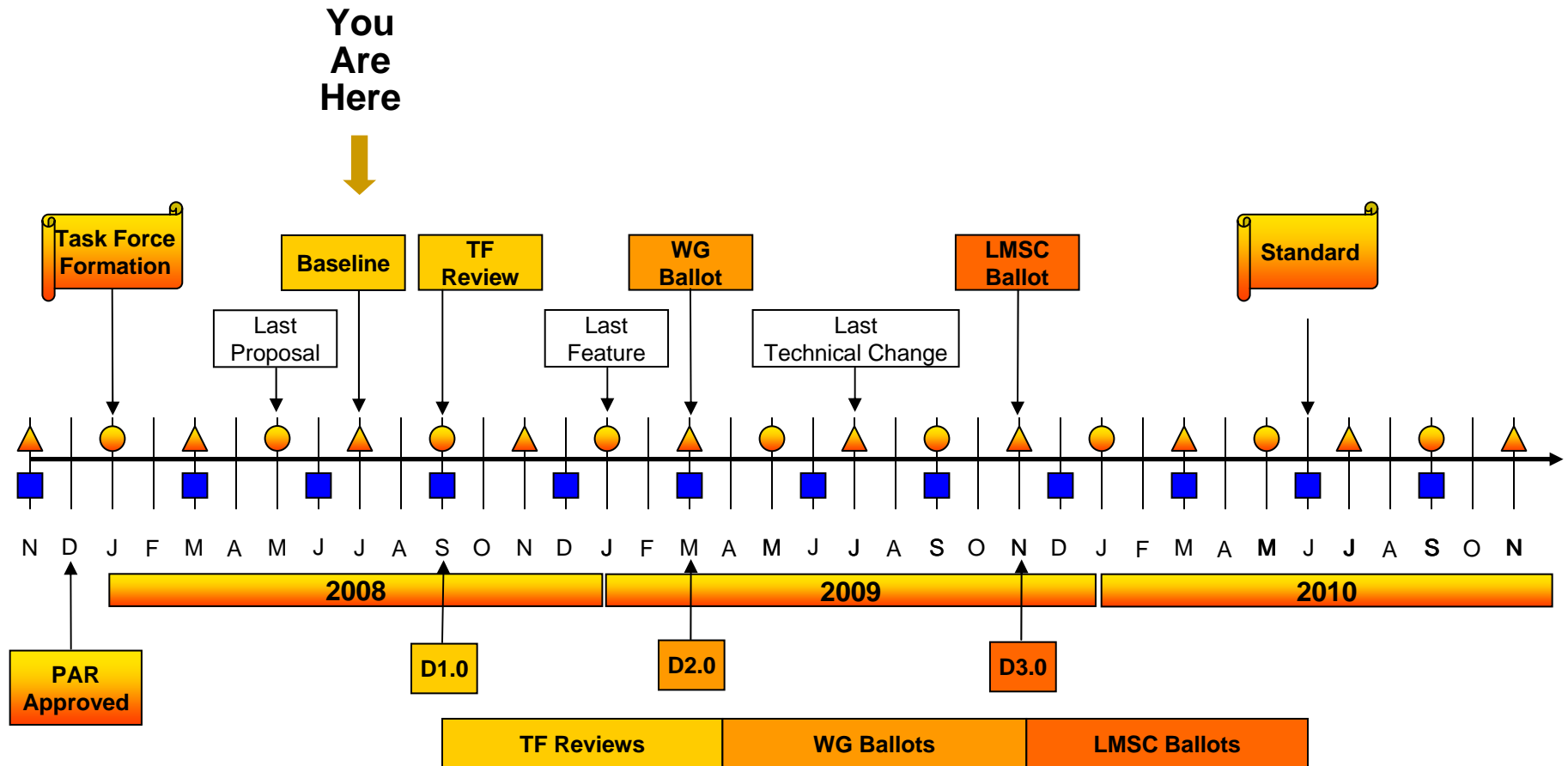
- Support full-duplex operation only
- Preserve the 802.3 / Ethernet frame format utilizing the 802.3 MAC
- Preserve minimum and maximum FrameSize of current 802.3 standard
- Support a BER better than or equal to 10⁻¹² at the MAC/PLS service interface
- Provide appropriate support for OTN
- Support a MAC data rate of 40 Gb/s
- Provide Physical Layer specifications which support 40 Gb/s operation over:
 - at least 10km on SMF
 - at least 100m on OM3 MMF
 - at least 10m over a copper cable assembly
 - at least 1m over a backplane
- Support a MAC data rate of 100 Gb/s
- Provide Physical Layer specifications which support 100 Gb/s operation over:
 - at least 40km on SMF
 - at least 10km on SMF
 - at least 100m on OM3 MMF
 - at least 10m over a copper cable assembly

Adopted by IEEE P802.3ba and approved by 802.3 at Mar 2008 Plenary

Overview of IEEE 802.3 Standards Process (2/5) - Task Force Comment Phase



IEEE P802.3ba Task Force Timeline



* Adopted by IEEE P802.3ba TF at March 08 Plenary

Accomplishments for the Week (1 of 2)

- Attendees – 162
- Reviewed patent slides each day
- Review liaisons / communications
 - INCITS T11.2 Activities Report – Reviewed activities report
 - ITU-T SG15 – Generated liaison
 - OIF
 - Generated informal communication response to liaison regarding CEI-25LR and CEI-28SR received in May.
 - Informed OIF of proposal selections this week.
- Ad hocs
 - Statistical Eye
 - Extended Reach Over Parallel MMF
- Heard 39 Presentations
 - Update on IEEE P802.3az

Accomplishments for the Week (2 of 2)

- Proposals adopted as baselines
 - PMA Sublayer (All (y/n/a) 119/0/17, 802.3 (y/n/a): 62/0/6)
 - XLAUI / CAUI interface (All (y/n/a) 121/0/13, 802.3 (y/n/a): 63/0/6)
 - PMD Service interface (All (y/n/a) 129/0/16, 802.3 (y/n/a): 72/0/5)
 - 40G / 100G for ≥ 10 m Cu Cable Objectives (All (y/n/a) 107/7/33, 802.3 (y/n/a): 69/6/16)
- Refinement to existing proposals
 - 100GbE ≥ 10 km SMF (All (y/n/a) 116/0/8, 802.3 (y/n/a): 61/0/3)
 - 100 GbE ≥ 40 km SMF (All (y/n/a) 121/0/11, 802.3 (y/n/a): 68/0/4)

Note – All #'s reported come from Motions

40G for ≥ 10 km SMF objective

StrawPoll: Is the Task Force ready to adopt a solution this week based on

- A. 2x20 as in dawes_01_0708.pdf
- B. 4x10 as in cole_03_0708.pdf
- C. 40 G-Serial as in traverso_02_0708.pdf
- D. Need more information
- E. Will not make a decision

Results Chicago Rules (a / b / c / d / e): 32 / 83 / 41 / 10 / 10

StrawPoll: Is the Task Force ready to adopt a solution this week based on

- A. 4x10 as in cole_03_0708.pdf
- B. 40 G-Serial as in traverso_02_0708.pdf
- C. Need more information
- D. Will not make a decision

Results (a / b / c / d): 79 / 41 / 12 / 9

Motion: 4x10 CWDM - (All (y/n/a) 81/38/31, 802.3 (y/n/a): 52/22/8)

Motion Fails

No adopted proposal

Dual Fiber MMF for 40GbE Proposal

- Straw Poll #7

I would support:

A. Adopting the following objective:

“Provide Physical Layer specifications which support 40 Gb/s operation over at least 100m on dual OM3 MMF”

B. Continued development of a dual fiber based Standard outside of 802.3ba for short reach MMF 40GbE

C. I need more information

D. I will abstain now and later

E. No dual MMF solution is needed

- Results (A / B / C / D / E): 24 / 52 / 9 / 34 / 16

TF Motion – Liaison to ITU-T SG15

- **Move that the 802.3ba Task Force approve the liaison statement to the ITU-T SG15 in “trowbridge_02_0708.pdf”.**
- **Results**
 - **All (y/n/a) : 121 / 0 / 8**
 - **802.3 (y/n/a): 69 / 0 / 5**

TF Motion

- Request that the 802.3ba editorial team create a draft based on adopted baseline proposals for circulation prior to the September 2008 interim meeting.

- Results
 - All (y / n / a): 150 / 0 / 1
 - 802.3 (y / n / a): 80 / 0 / 0

- August 25th – Goal for preview version of the proposed text released to the TF

Motion

- Move that 802.3 approve and forward the liaison letter (trowbridge_02_0807) with appropriate edits by the Chair (or his appointed agent) and appropriate approvals by the EC to the ITU-T SG15.
- Technical (>75%)
- Moved by: John D'Ambrosia on behalf of P802.3ba Task Force
- 802.3 Voters (Y/N/A): 84 / 0 / 3
- Motion Passes

Future Meetings

<http://ieee802.org/3/interims/index.html>

- Sept 2008 Interim
 - Hosted by LG / Nortel
 - Sept 15 - 19
 - Seoul, Korea
- Nov 2008 Plenary
 - Nov 10 – 13
 - Hyatt Regency Dallas at Reunion
 - Dallas, Tx, USA



Thank You!

