



July 14, 2011

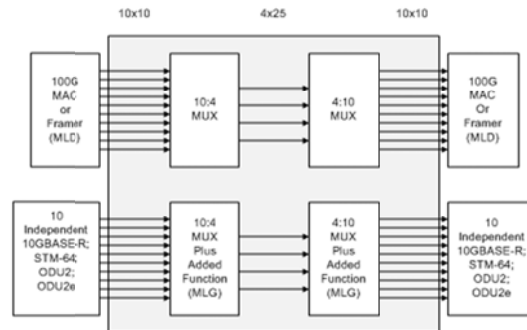
To: David Law and members of IEEE 802.3

Subject: OIF Multi-link Gearbox (MLG) Project

From: Jonathan Sadler, OIF Technical Committee Chair (jonathan.sadler@tellabs.com)

Dear Mr. Law,

The OIF would like to inform you that we have started a new project to specify a multi-link gearbox (MLG). This project will leverage past and present IEEE 802.3 work for 4x25G gearbox applications. IEEE has developed these architectures and is developing these interfaces to support 100G applications. OIF would like to specify a mapping to enable these architectures and interfaces to support multiple 10G applications. Conceptually, this can be envisioned as follows.



The project start proposal for the multi-link gearbox is found in document oif2011.214.03 (attached).

Sincerely,

Jonathan Sadler,
OIF Technical Committee Chair (jonathan.sadler@tellabs.com)

Attachment: oif2011.214.03.pdf