

IEEE 802.3 Working Group Closing Plenary 16th July 2015

David Law
Chair, IEEE 802.3 Working Group
dlaw@hp.com

Agenda, voter lists:
<http://www.ieee802.org/3/minutes/jul15/index.html>

IEEE 802.3 Officers

IEEE 802.3 Chair: David Law <dlaw@hp.com>

IEEE 802.3 Vice Chair: Adam Healey <adam.healey@avagotech.com>

IEEE 802.3 Secretary: Pete Anslow <panslow@ciena.com>

IEEE 802.3 Executive Secretary: Steve Carlson <scarlson@ieee.org>

IEEE 802.3 Treasurer: Valerie Maguire <valerie_maguire@siemon.com>

IEEE 802.3 Task Force chairs

IEEE P802.3bn EPON Protocol over Coax (EPoC): Mark Laubach <laubach@broadcom.com>

IEEE P802.3bp 1000BASE-T1: Steve Carlson <scarlson@hspdesign.com>

IEEE P802.3bq 40GBASE-T: Dave Chalupsky <david.chalupsky@intel.com>

IEEE P802.3br Interspersing Express Traffic: Ludwig Winkel <ludwig.winkel@siemens.com>

IEEE P802.3bs 400 Gb/s Ethernet: John D'Ambrosia <john_dambrosia@dell.com>

IEEE P802.3bt DTE Power via MDI over 4-Pair: Chad Jones <cmjones@cisco.com>

IEEE P802.3bu 1-Pair Power over Data Lines (PoDL): Dave Dwelley <ddwelley@linear.com>

IEEE P802.3bv Gigabit Ethernet Over Plastic Optical Fiber: Bob Grow <bob.grow@ieee.org>

IEEE P802.3bw 100BASE-T1: Steve Carlson <scarlson@hspdesign.com>

IEEE P802.3by 25 Gb/s Ethernet: Mark Nowell <mnowell@cisco.com>

IEEE P802.3bz 2.5 Gb/s and 5 Gb/s Ethernet Task Force: Dave Chalupsky <david.chalupsky@intel.com>

IEEE 802.3 Study Group chairs

IEEE 802.3 25GBASE-T: Dave Chalupsky <david.chalupsky@intel.com>

WG Decorum



- Photography or recording by permission only (December 2014 IEEE-SA Standards Board Ops Manual 5.3.3.2)
- Press (i.e., anyone reporting publicly on this meeting) are to announce their presence (December 2014 IEEE-SA Standards Board Ops Manual 5.3.3.3)
- Cell phone ringers off
- Wear your badges at all times in meeting areas
 - Help the hotel security staff improve the general security of the meeting rooms
 - **PCs HAVE BEEN STOLEN** at previous meetings
 - **DO NOT** assume that meeting areas are secure
- Please observe proper decorum in meetings

Agenda

- Approve agenda
 - <http://www.ieee802.org/3/minutes/jul15/>
 - Any modifications, additions or deletions?

Instructions for the WG Chair

The IEEE-SA strongly recommends that at each WG meeting the chair or a designee:

- Show slides #1 through #4 of this presentation
- Advise the WG attendees that:
 - The IEEE's patent policy is described in Clause 6 of the *IEEE-SA Standards Board Bylaws*;
 - Early identification of patent claims which may be essential for the use of standards under development is strongly encouraged;
 - There may be Essential Patent Claims of which the IEEE is not aware. Additionally, neither the IEEE, the WG, nor the WG chair can ensure the accuracy or completeness of any assurance or whether any such assurance is, in fact, of a Patent Claim that is essential for the use of the standard under development.
- Instruct the WG Secretary to record in the minutes of the relevant WG meeting:
 - That the foregoing information was provided and that slides 1 through 4 (and this slide 0, if applicable) were shown;
 - That the chair or designee provided an opportunity for participants to identify patent claim(s)/patent application claim(s) and/or the holder of patent claim(s)/patent application claim(s) of which the participant is personally aware and that may be essential for the use of that standard
 - Any responses that were given, specifically the patent claim(s)/patent application claim(s) and/or the holder of the patent claim(s)/patent application claim(s) that were identified (if any) and by whom.
- The WG Chair shall ensure that a request is made to any identified holders of potential essential patent claim(s) to complete and submit a Letter of Assurance.
- It is recommended that the WG chair review the guidance in *IEEE-SA Standards Board Operations Manual* 6.3.5 and in FAQs 14 and 15 on inclusion of potential Essential Patent Claims by incorporation or by reference.

Note: **WG** includes Working Groups, Task Groups, and other standards-developing committees with a PAR approved by the IEEE-SA Standards Board.



Participants, Patents, and Duty to Inform

All participants in this meeting have certain obligations under the IEEE-SA Patent Policy.

- **Participants [Note: Quoted text excerpted from IEEE-SA Standards Board Bylaws subclause 6.2]:**
 - **“Shall inform the IEEE (or cause the IEEE to be informed)” of the identity of each “holder of any potential Essential Patent Claims of which they are personally aware” if the claims are owned or controlled by the participant or the entity the participant is from, employed by, or otherwise represents**
 - **“Should inform the IEEE (or cause the IEEE to be informed)” of the identity of “any other holders of potential Essential Patent Claims” (that is, third parties that are not affiliated with the participant, with the participant’s employer, or with anyone else that the participant is from or otherwise represents)**
- **The above does not apply if the patent claim is already the subject of an Accepted Letter of Assurance that applies to the proposed standard(s) under consideration by this group**
- **Early identification of holders of potential Essential Patent Claims is strongly encouraged**
- **No duty to perform a patent search**

Patent Related Links

All participants should be familiar with their obligations under the IEEE-SA Policies & Procedures for standards development.

Patent Policy is stated in these sources:

IEEE-SA Standards Boards Bylaws

<http://standards.ieee.org/develop/policies/bylaws/sect6-7.html#6>

IEEE-SA Standards Board Operations Manual

<http://standards.ieee.org/develop/policies/opman/sect6.html#6.3>

Material about the patent policy is available at

<http://standards.ieee.org/about/sasb/patcom/materials.html>

If you have questions, contact the IEEE-SA Standards Board Patent Committee Administrator at patcom@ieee.org or visit <http://standards.ieee.org/about/sasb/patcom/index.html>

This slide set is available at
<https://development.standards.ieee.org/myproject/Public/mytools/mob/slideset.ppt>



Call for Potentially Essential Patents

- If anyone in this meeting is personally aware of the holder of any patent claims that are potentially essential to implementation of the proposed standard(s) under consideration by this group and that are not already the subject of an Accepted Letter of Assurance:
 - Either speak up now or
 - Provide the chair of this group with the identity of the holder(s) of any and all such claims as soon as possible or
 - Cause an LOA to be submitted

Other Guidelines for IEEE WG Meetings

- **All IEEE-SA standards meetings shall be conducted in compliance with all applicable laws, including antitrust and competition laws.**
 - **Don't discuss the interpretation, validity, or essentiality of patents/patent claims.**
 - **Don't discuss specific license rates, terms, or conditions.**
 - Relative costs, including licensing costs of essential patent claims, of different technical approaches may be discussed in standards development meetings.
 - Technical considerations remain primary focus
 - **Don't discuss or engage in the fixing of product prices, allocation of customers, or division of sales markets.**
 - **Don't discuss the status or substance of ongoing or threatened litigation.**
 - **Don't be silent if inappropriate topics are discussed ... do formally object.**

See *IEEE-SA Standards Board Operations Manual*, clause 5.3.10 and “Promoting Competition and Innovation: What You Need to Know about the IEEE Standards Association's Antitrust and Competition Policy” for more details.

Membership and attendance recording

Membership requirements

- Membership requirements (gaining and retaining)
 - 75% attendance at 2 of last 4 plenary sessions
 - A qualifying interim may be substituted for one plenary
 - Request to become member during potential voter agenda item at IEEE 802.3 opening or closing plenary
 - Participate in **two** out of the last **three** IEEE 802.3 Working Group ballots to retaining membership
 - Maintain valid contact information
 - Consistent declaration of affiliation

Membership and attendance recording

Review of membership

- IEEE 802.3 voters

http://www.ieee802.org/3/minutes/jul15/0715_voters.pdf

Plus those added on Monday

- IEEE 802.3 voters in peril

http://www.ieee802.org/3/minutes/jul15/0715_peril.pdf

- IEEE 802.3 potential voters

http://www.ieee802.org/3/minutes/jul15/0715_potential.pdf

Those added Monday marked with '(o)'

IEEE 802 Executive Committee report (p.1)

Meeting for the week

Sunday 7:30-9:30pm	LMSC Rules Review (room Waters Edge)
Mon 8:00-10:00am	Opening Executive Committee meeting (Kohala 3&4)
Mon 3:30-4:30	802/IETF Standing Committee (Water's Edge Boardroom)
Mon 6:00-10:00pm	Tutorials (Monarchy)
Tue 9:00am-10:00am	open
Tue 1:30pm-3:30pm	802/JTC1/SC6 Standing Committee (Queens 4)
Tue 4:00pm-6:00	open
Tue 7:30-9:30pm	Privacy ECSG (Kings 1)
Wed 8:00-9:00am	802/ITU Standing Committee (Kona 3)
Wed 1:30-3:30pm	Privacy ECSG (Waters Edge)
Wed 3:30-6:00pm	get 802 agreement discussion, Executive Session (Waters Edge)
Thu 7:00-8:00am	Plenary venue space allocation planning (Waters Edge)
Thu 8:00-9:00am	Future venue planning (Waters Edge)
Thu 9:00-10:00am	802 Chair's "Open Office Hour" (Waters Edge)
Thu 10:30-12:30pm	IEEE 802 Task Force (Waters Edge)
Thu 1:30-3:30pm	802/JTC1/SC6 Standing Committee (Queens 4)
Thu 3:00-6:00pm	get 802 agreement discussion, Executive Session (Waters Edge)
Thu 8:00-10:00am	Privacy ECSG (Queens 5)
Fri 08am-noon	open
Fri 01pm-06pm	closing Executive Committee meeting (Kohala 3&4)

IEEE 802 Executive Committee report (p.2)

IEEE 802 Task Force draft agenda

- Thurs 10:30AM-12:30 (room: Waters Edge)
- Tentative agenda
 1. Open portion of meeting:
 1. Update on clarification of Indemnification Policy, 5 min, Nikolich
 2. Any other business?
 3. Action item review, 5 min, Nikolich
 2. Adjourn

Review other IEEE 802 PARs

External liaison letters

IEEE Std 802.3-2012

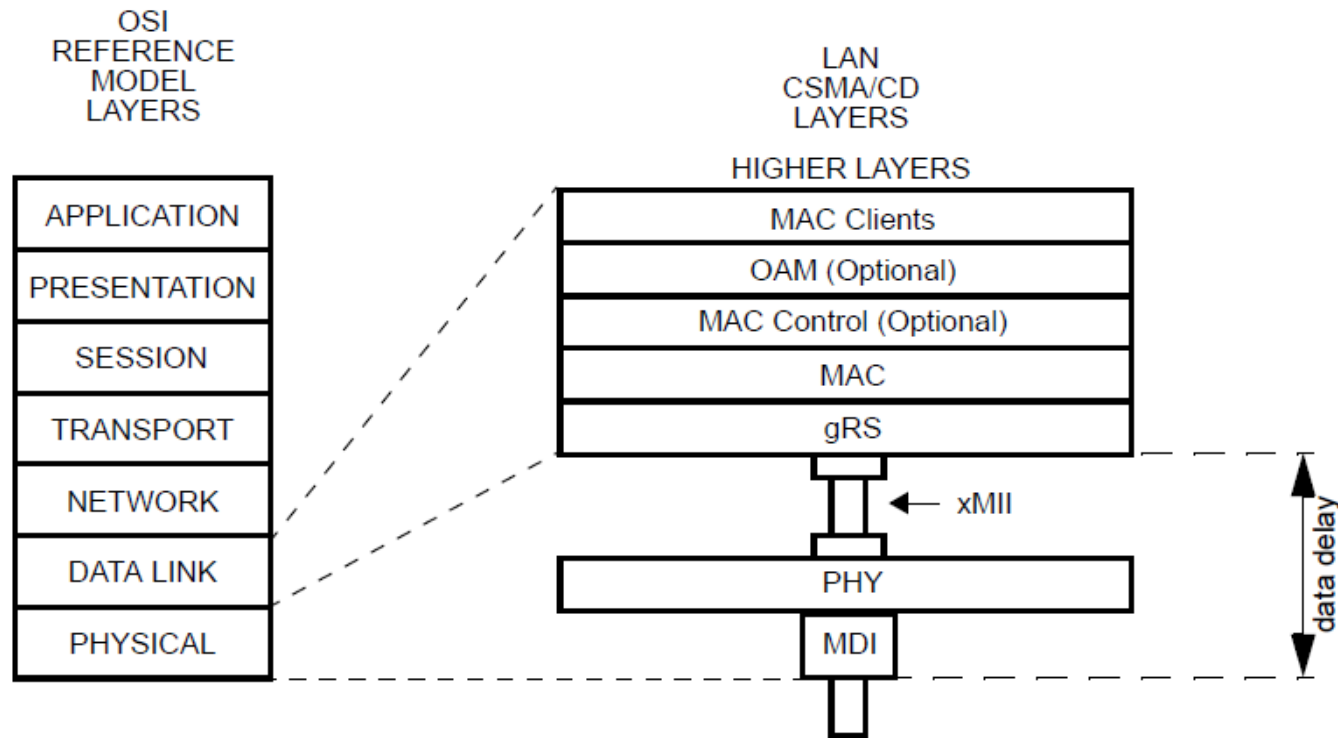
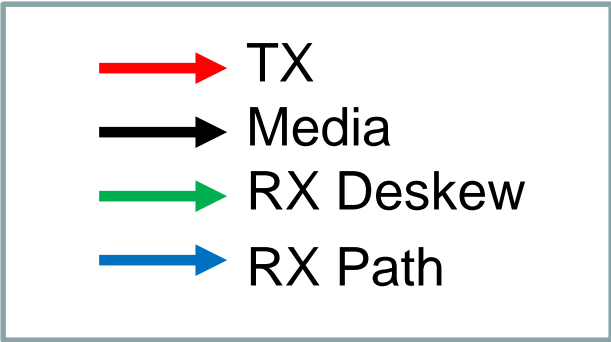
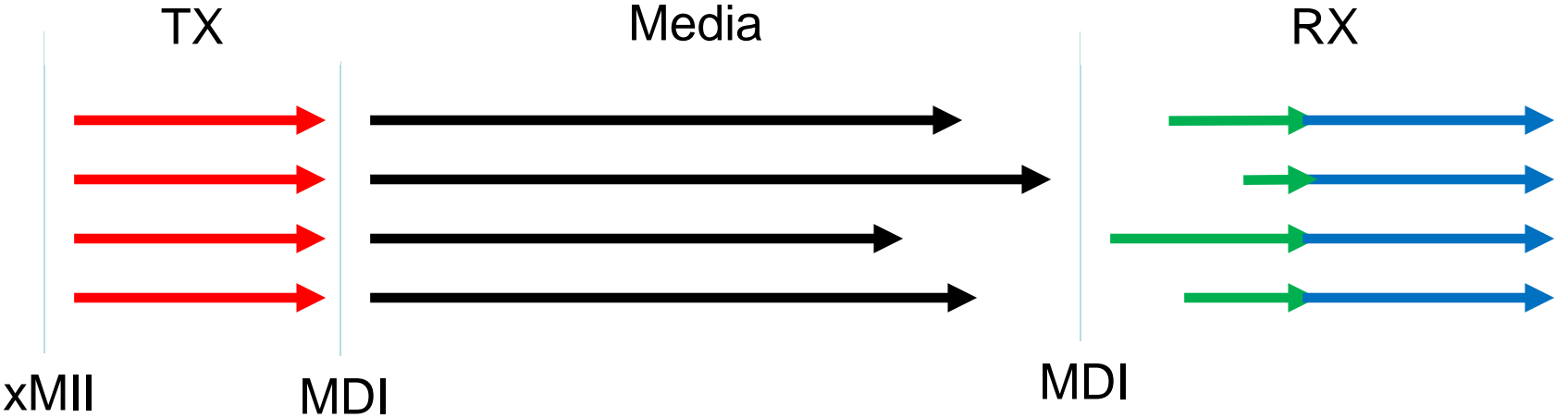


Figure 90–3—Data delay measurement

1.1801 through 1.1804	TimeSync PMA/PMD transmit path data delay	45.2.1.105
1.1805 through 1.1808	TimeSync PMA/PMD receive path data delay	45.2.1.106

Data delay diagram



Ad Hoc call

- Thursday 30th July
 - 10h00 PDT; 13h00 EDT, 18h00 BST, 19h00 CEST
 - Detail will be announced to IEEE 802.3 reflector

Continuing Agenda ...