

IEEE P802.3bs 200 GbE and 400GbE Task Force Closing Report

John D'Ambrosia
Futurewei, Subsidiary of Huawei
Berlin, Germany
July 13, 2017

IEEE P802.3bs Task Force

Project information

Task Force Organization

John D'Ambrosia, IEEE P802.3bs Task Force Chair

Pete Anslow, IEEE P802.3bs Task Force Chief Editor, Clauses FM, 00, 1, 4, 30, 45, 78, 116, A, 4A, 31B, 90, 93A, 120B, 120C Editor

Mark Gustlin, Clause 117, 118, 119, 119A Editor

Jonathan King, Clause 123 Editor

Andre Szczepanek, Annexes 120D, 120E

Peter Stassar, Clause 121, 122, 124 Editor

Steve Trowbridge, Clause 120, 120A Editor

Task force web and reflector information

Reflector: <http://www.ieee802.org/3/400GSG/reflector.html>

Home page: <http://www.ieee802.org/3/bs/index.html>

PAR: http://www.ieee802.org/3/bs/PAR_P802.3bs_16_0516.pdf

CSD: <https://mentor.ieee.org/802-ec/dcn/16/ec-16-0057-00-ACSD-802-3bs.pdf>

Objectives: http://www.ieee802.org/3/bs/Objectives_16_0317.pdf

Timeline http://www.ieee802.org/3/bs/timeline_3bs_0915.pdf

Ad Hoc page <http://www.ieee802.org/3/bs/public/adhoc/index.shtml>

This Week

- ≈ 89 Attendees
- 65 comments considered and resolved
- Reviewed 10 technical presentations
- Big Ticket Item TDECQ – Late Presentation brought new data in for consideration
- Motions (See Next Page)
- Liaisons & Communications
 - Approved [jointly with 802.3cd] liaison to OIF

Task Force Motions

Motion #3 –

Move to:

- Adopt proposed responses to remaining comments, noted as “bucket” on slide 9 of [anslow_3bs_01_0717.pdf](#)
- Generate Draft 3.3 for Sponsor Ballot Recirculation from D3.2 and closed comments

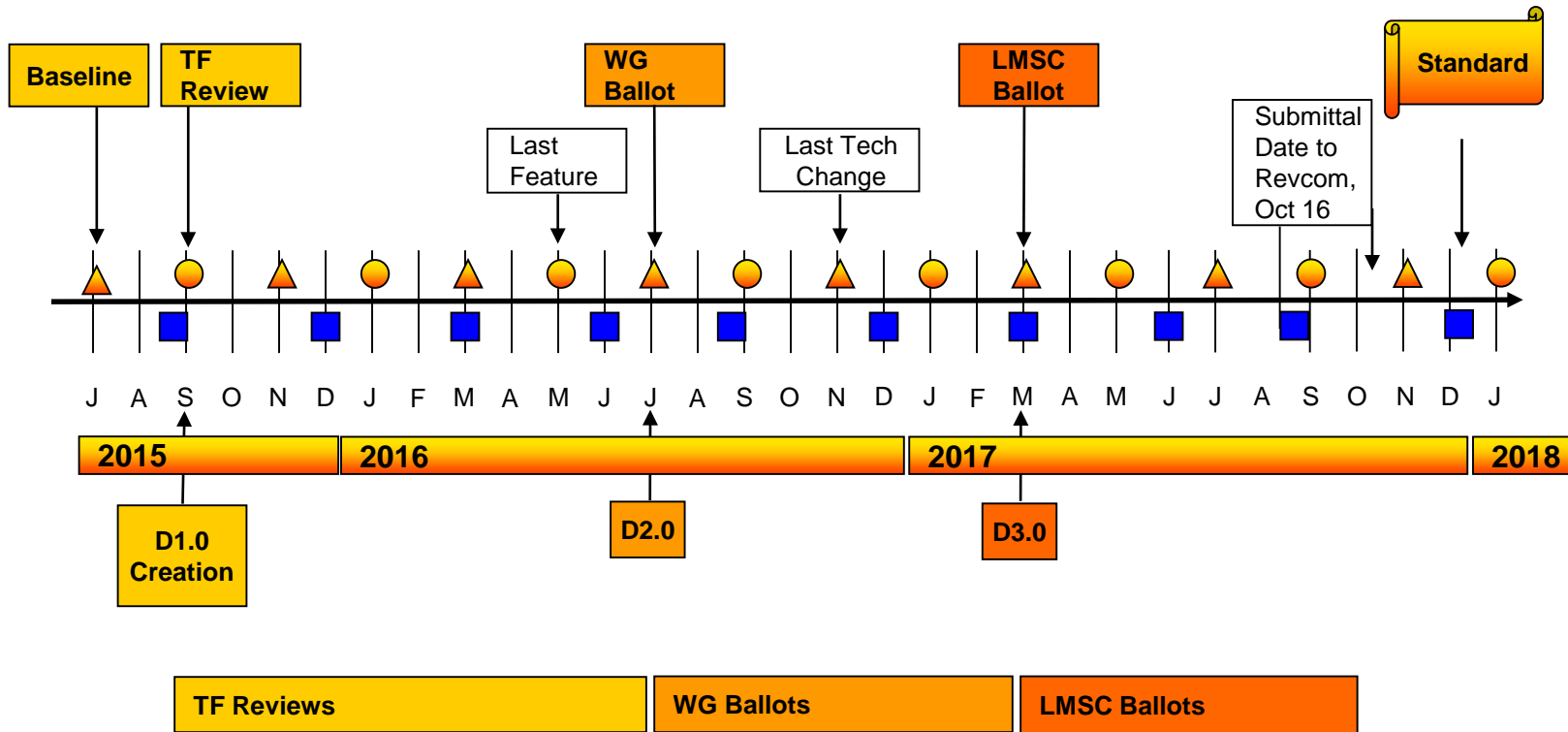
Results (y/n/a) 62/0/1

Motion #4 –

- Move that the IEEE P802.3bs Task Force approve as liaison communication:
 - to OIF: [IEEE_802d3bs_to_OIF_CEI_0713_liaison](#)
- with editorial license granted to the Chair (or his appointed agent) from the IEEE 802.3 Working Group

Results: approved by voice vote without opposition

IEEE P802.3bs 200GbE and 400GbE Adopted timeline



Adopted by IEEE P802.3bs 400GbE Task Force, Sept 2015 Interim.

Legend

- ▲ IEEE 802 Plenary
- IEEE 802.3 Interim
- IEEE-SA Standards Board

802.3 WG Motion

Move that the IEEE 802.3 Working Group approve:

- IEEE_802d3_to_OIF_CEI_0717_draft

with editorial license granted to the Chair (or his appointed agent) as liaison communications from the IEEE 802.3 Working Group to OIF.

Moved by: John D'Ambrosia

Second by: Mark Nowell

Technical ($\geq 75\%$)

Results y/n/a

Future Meetings

See: <http://www.ieee802.org/3/interims/index.html>

Sept 2017 Interim

Week of Sept 11

Hilton Center City

Charlotte, NC, USA

Week of Oct 2 or Oct 9 – Contingent Out of Cycle Teleconference Interim Meeting

Final details to be provided via email at least 30 days in advance

Nov 2017 Plenary

Week of Nov 6

Orlando, FL, USA

Questions?

Thank you!