

IEEE P802.3cs  
Increased-reach Ethernet optical subscriber access (Super-PON)  
Opening Report

Claudio DeSanti  
Google  
Vienna – Austria  
July 15, 2019

# IEEE P802.3cs Increased-reach Ethernet optical subscriber access (Super-PON)

## Project information

---

### Task Force Organization

Claudio DeSanti, IEEE P802.3cs Task Force Chair

Duane Remein, IEEE P802.3cs Task Force Secretary

Marek Hajduczenia, IEEE P802.3cs Task Force Editor

### Task force web and reflector information

Reflector information: <http://www.ieee802.org/3/cs/reflector.html>

Home page: <http://ieee802.org/3/cs/index.html>

PAR: [http://www.ieee802.org/3/cs/P802\\_3cs\\_PAR.pdf](http://www.ieee802.org/3/cs/P802_3cs_PAR.pdf)

CSD: <https://mentor.ieee.org/802-ec/dcn/18/ec-18-0246-00-ACSD-p802-3cs.pdf>

Objectives: [http://www.ieee802.org/3/cs/Super-PON\\_Objectives.pdf](http://www.ieee802.org/3/cs/Super-PON_Objectives.pdf)

# IEEE P802.3cs Increased-reach Ethernet optical subscriber access (Super-PON)

## Activities since March 2019 plenary

---

Met during the May 2019 interim meeting

Discussed about:

Chromatic dispersion

Link budget

PMD specification

Held teleconferences on May 2, 2019 and June 20, 2019

Discussed about:

PMD specification

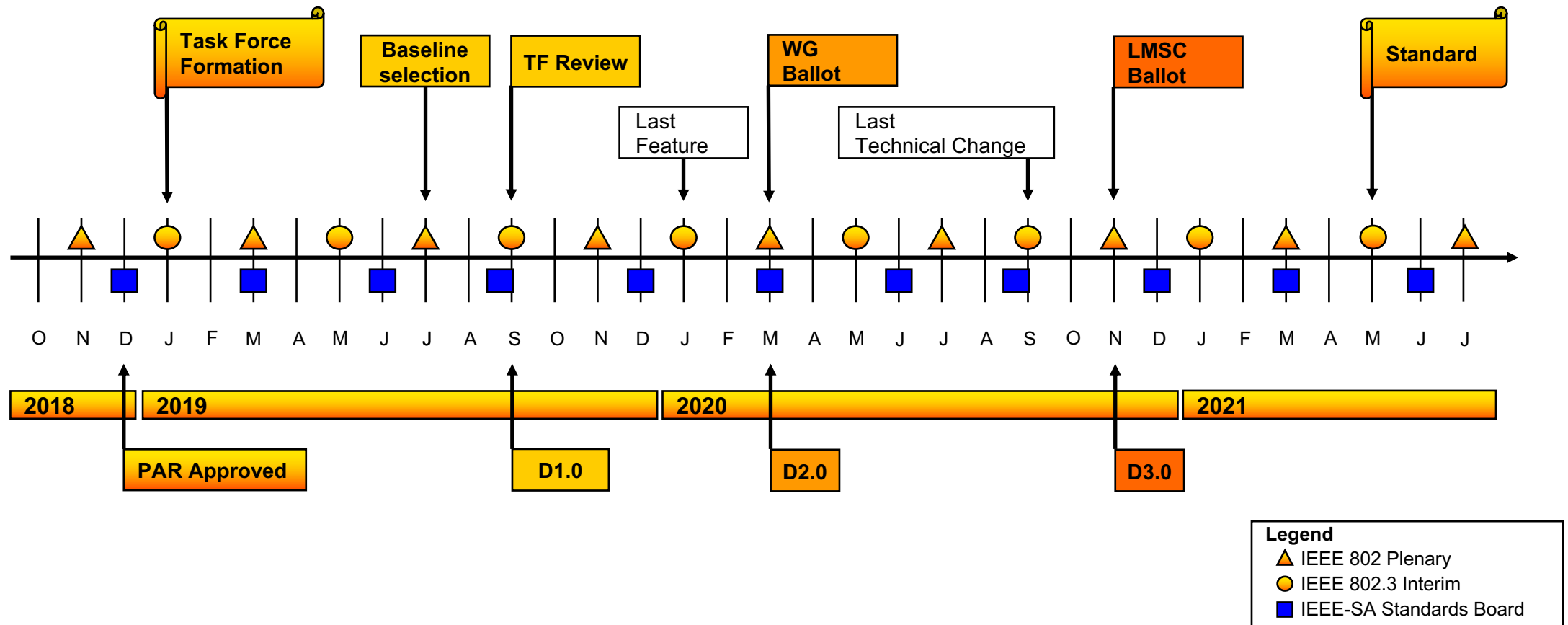
Black link parameters

Draft 0.1 released

Initial task force review

# IEEE P802.3cs Increased-reach Ethernet optical subscriber access (Super-PON) Adopted Timeline

Adopted March 12, 2019



# IEEE P802.3cs Increased-reach Ethernet optical subscriber access (Super-PON)

## Meeting week plan

---

### Goals for the meeting

Continue to work on selection of a set of baseline proposals

### Big ticket items

Black link parameters

Link budget

ODN constraints

PCS selection

Questions?

Thank you!