

IEEE P802.3ct Task Force:
100 Gb/s over DWDM Systems

IEEE P802.3cw Task Force:
400 Gb/s over DWDM Systems

Opening Report

John D'Ambrosia

Futurewei, U.S. Subsidiary of Huawei
IEEE 802 July 2020 Electronic Plenary
July 13, 2020

IEEE P802.3ct Task Force Project information

Task Force Organization

- John D'Ambrosia, Chair, IEEE P802.3ct Task Force
- Editorial Team
 - Tom Issenhuth – Chief Editor
 - Peter Stassar – 100 GbE Optical PHY Clause
 - Steve Trowbridge - 100 GbE PCS/FEC/PMA Extender Clauses
- Task force web and reflector information
 - Reflector: <http://www.ieee802.org/3/ct/reflector.html>
 - Home page: <http://www.ieee802.org/3/ct/index.html>
- Project Documentation –
 - PAR : http://www.ieee802.org/3/ct/ProjDoc/P802.3ct_200215.pdf
 - CSD: <http://www.ieee802.org/3/ct/ProjDoc/ec-18-0249-01-ACSD-p802-3ct.pdf>
 - Objectives: http://www.ieee802.org/3/ct/ProjDoc/3ct_Objectives_190911.pdf
 - Timeline: http://www.ieee802.org/3/ct/ProjDoc/timeline_3ct_200121.pdf
- Ad Hoc page: <http://www.ieee802.org/3/ct/public/adhoc/index.html>

IEEE P802.3cw Task Force Project information

Task Force Organization

- John D'Ambrosia, Chair, IEEE P802.3ct Task Force
- Editorial Team
 - Tom Issenhuth – Chief Editor, 400 GbE Optical PHY Clause
 - Eric Maniloff - 400 GbE PCS/PMA Clauses
- Task force web and reflector information
 - Reflector: <http://www.ieee802.org/3/ct/reflector.html>
 - Home page: <http://www.ieee802.org/3/cw/index.html>
- Project Documentation –
 - PAR : http://www.ieee802.org/3/cw/proj_doc/P802d3cw_PAR.pdf
 - CSD: <https://mentor.ieee.org/802-ec/dcn/19/ec-19-0219-00-ACSD-p802-3cw.pdf>
 - Objectives: http://www.ieee802.org/3/cw/proj_doc/3cw_Objectives_190911.pdf
 - Timeline: To Be Adopted
- Ad Hoc page: <http://www.ieee802.org/3/ct/public/adhoc/index.html>

Activities Since Mar 2020

- Series of Task Force (.3ct or .3cw) and Joint Task Force (.3ct & .3cw) Interim Meetings
 - See http://www.ieee802.org/3/ct/public/tf_interim/index.html
- IEEE P802.3ct
 - Task Force Comment Review Phase Completed
 - See May Update to 802.3WG for Details - http://www.ieee802.org/3/minutes/may20/0520_3ct_update_report.pdf
 - Initial WG Ballot (D2.0) – see Next Page
- IEEE P802.3cw
 - Baseline Selection continues

IEEE P802.3ct Initial Working Group Ballot (D2.0)

- Ballot Open – 5/21/20, Closed 6/20/20

- 195 Voters
- 84 Approve
- 10 Disapprove
- 10 Abstain
- 104 Ballots returned

- Ballot Return Statistics

- 53% Response Rate (> 50% required)
- 9% Abstain Rate (< 30% required)
- 89% Approval Rate (>= 75% required)

Description	Clause	TR	T	ER	E	Total
Front Matter	0		1		20	21
Introduction	1	1	6	5	5	17
Mgmt	45	2		1	4	7
Introduction 40/100	80	2	2	3	8	15
PCS	82	1				1
Inverse RS-FEC	152	5		2	8	15
100GBASE-ZR PMA	153	3	7	1	14	25
100GBASE-ZR PMD	154	4	10	2	20	36
Annex	A/83C/135A		1		3	4
Total Comments		18	27	14	82	141

Key Areas

- “Black Link” Concept
- Terminology
- Signal Detect

IEEE P802.3cw Activity

- Task Force Formation
- Reapproval of decisions made by IEEE P802.3ct Task Force
- Tx / Rx / Black Link Parameter Characterization
 - Filling in some parameters, Others remain
 - See summary - http://www.ieee802.org/3/cw/public/tf_interim/20_0611/issenhuth_3cw_01_200611.pdf
- Issues Going Forward
 - IEEE P802.3ct draft provides key input
 - Completion of Tx / Rx / Black Link Parameter
 - EVM Test Methodology

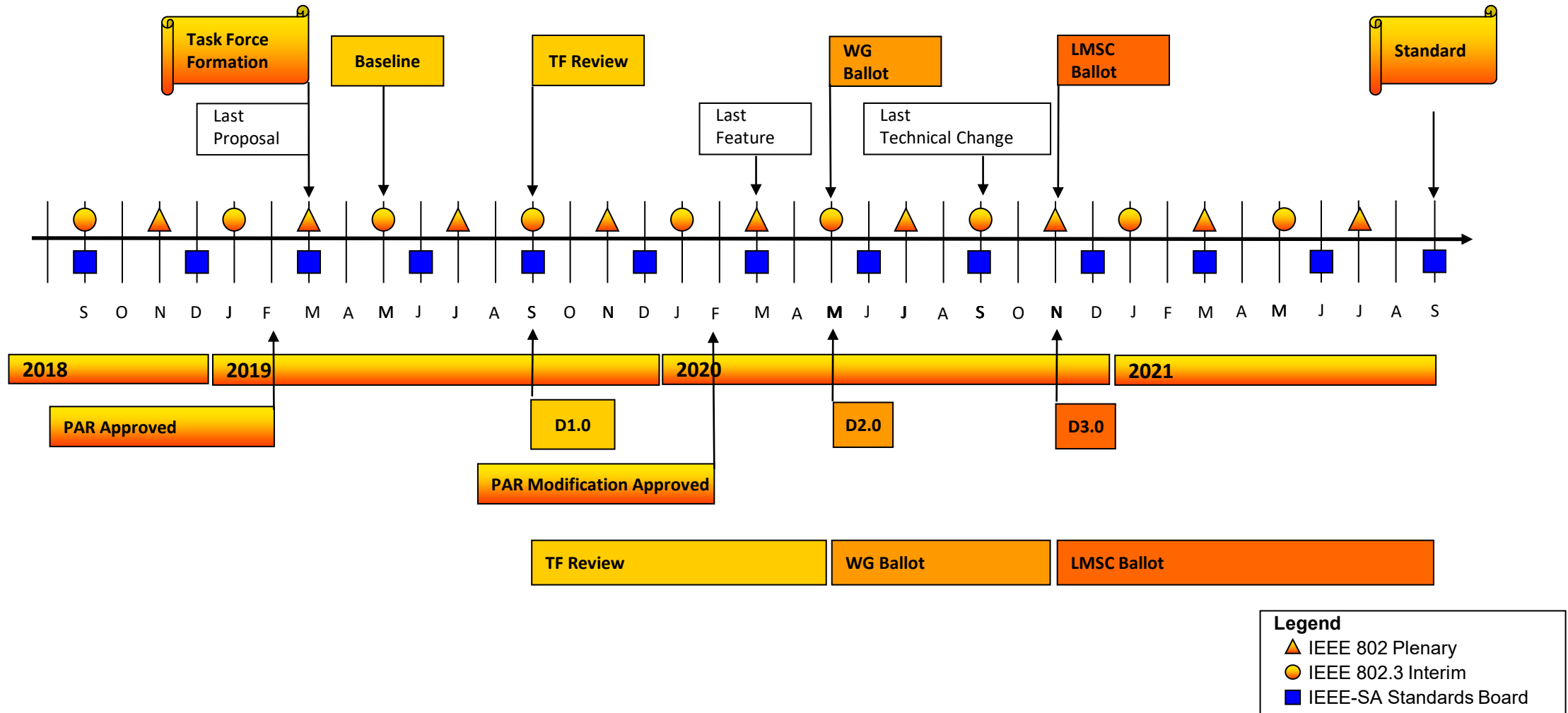
Joint Task Force Meeting Week Plan

➤ Thurs (7/16), 10am to noon

- Teleconference Access Info - <http://www.ieee802.org/3/ct/email/msg00384.html>
- Agenda
 - IEEE P802.3ct - Consideration of comments submitted against D2.0 & supporting presentation
 - IEEE P802.3cw – technical presentation & baseline discussion

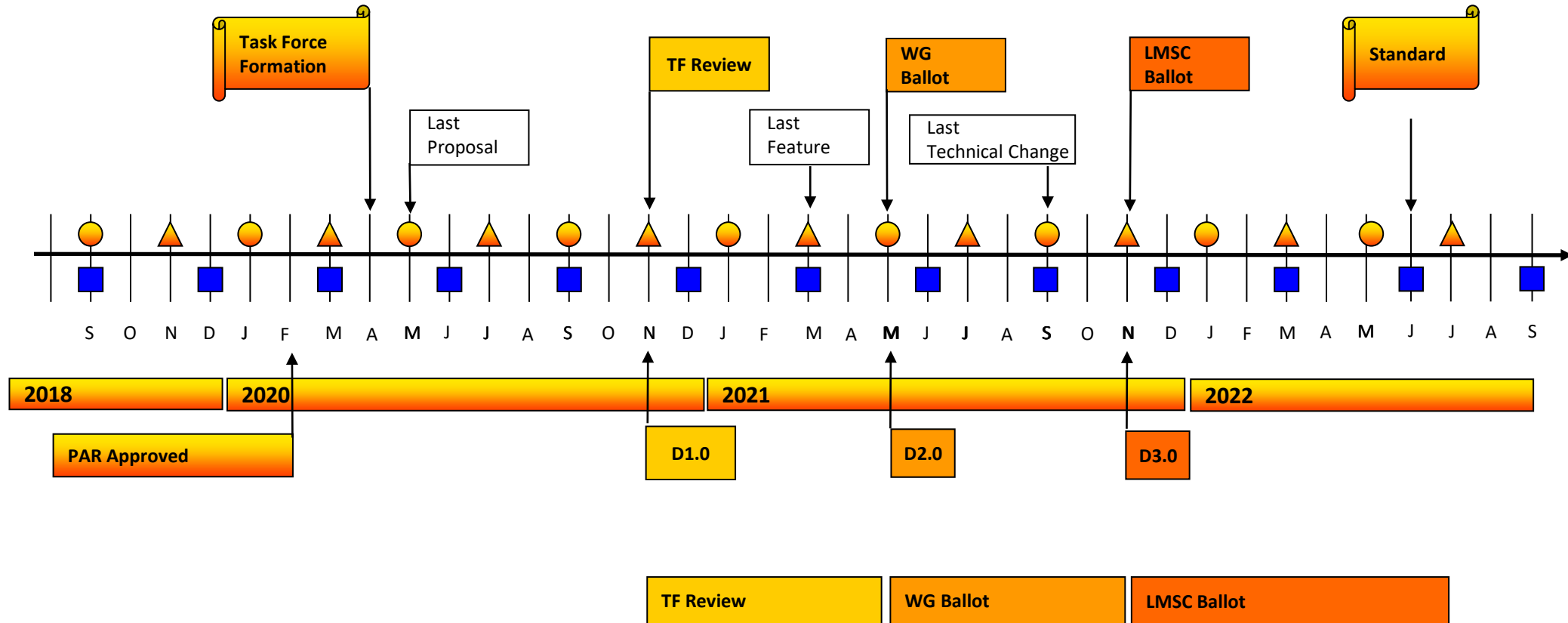
Adopted IEEE P802.3ct Timeline

Adopted –Jan 2020



Adopted IEEE P802.3cw Timeline

Adopted by IEEE P802.3cw TF –02 Apr 2020



Legend

- ▲ IEEE 802 Plenary
- IEEE 802.3 Interim
- IEEE-SA Standards Board

Questions?

Thank you!