

IEEE 802 Jul 2023

**IEEE 802.3 Ethernet WG
Opening Plenary
10 Jul 2023**

**IEEE P802.3df
400 Gb/s and 800 Gb/s
Ethernet
Task Force
Opening Report**



IEEE P802.3df Task Force Project information

■ Organization

- John D'Ambrosia, Chair, IEEE P802.3df Task Force
- Mark Nowell, Vice-Chair, IEEE P802.3df Task Force, Optics Track Chair
- Matt Brown, Chief Editor
- Mark Gustlin, Architecture & Logic Track Chair
- Kent Lusted, Electrical Track Chair, Recording Secretary

▪ Task force web and reflector information:

- Home page: <https://www.ieee802.org/3/df/index.html>
- Reflector Info - <https://www.ieee802.org/3/df/reflector.html>
 - TF Reflector: stds-802-3-b400g@listserv.ieee.org
 - Logic Reflector: stds-802-3-b400g-logic@listserv.ieee.org
 - Optical Reflector: stds-802-3-b400g-optx@listserv.ieee.org
 - Electrical Reflector: stds-802-3-b400g-elec@listserv.ieee.org

▪ Project Documentation –

- PAR : https://www.ieee802.org/3/df/proj_doc/IEEE_P802.3df_PAR_11122021.pdf
- CSD: <https://mentor.ieee.org/802-ec/dcn/21/ec-21-0306-00-ACSD-p802-3df.pdf>
- Objectives: https://www.ieee802.org/3/df/proj_doc/objectives_P802d3df_221117.pdf

▪ P802.3df TF meeting information may be found on:

- Public page: <https://www.ieee802.org/3/df/public/index.html>
- 802.3 Calendar: <https://www.ieee802.org/3/calendar.html>
- Ad hoc Page: <https://www.ieee802.org/3/df/public/adhoc/index.html>

Activities Since Mar 2022 Plenary

Initial WG Ballot

- **Opened – 17 Mar 2023**
- **Closed – 16 Apr 2023**
- **108 Comments from 19 individuals (2 withdrawn)**

23 – 25 May 2023 Electronic Meeting

- **All comments submitted against D2.0 considered**
- **Approved Generation of D2.1**

1st WG Recirculation Ballot

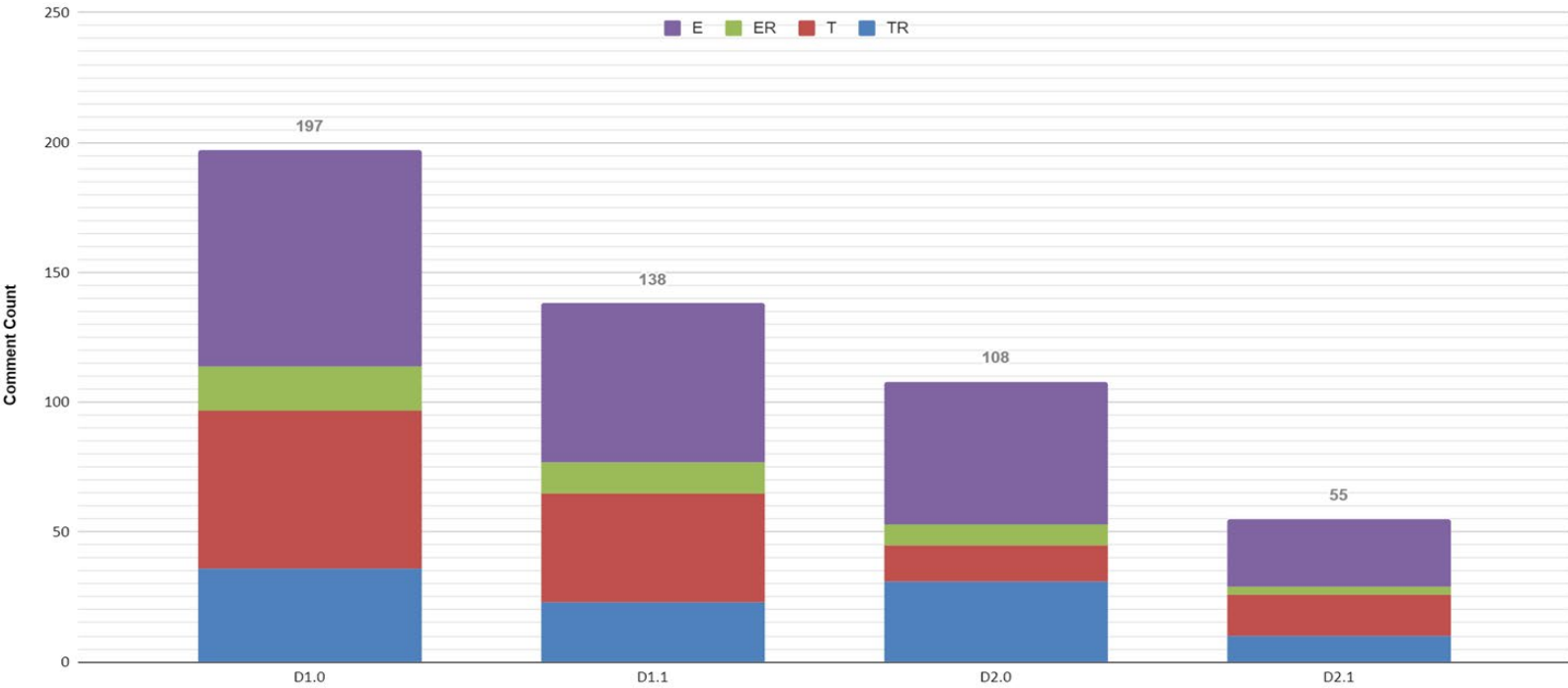
- **Opened – 09 June 2023** **Closed – 24 June 2023**
- **Results Summary – see next page**

Ad Hoc Meetings

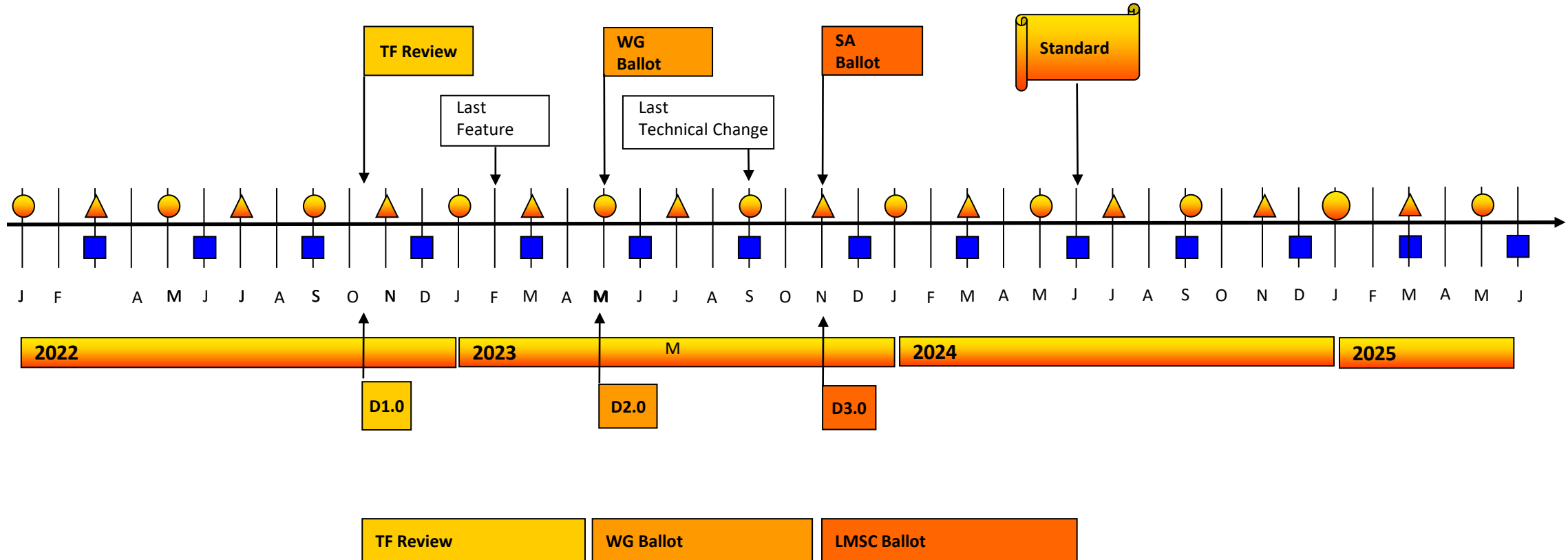
- **Architecture – 26 Apr 2023**

First Recirculation Ballot Results

264 Voters	72% Response Rate (> 50% required)	Total Comments - xx
173 Approve	7% Abstain Rate (< 30% required)	"T" - 15
3 Disapprove *	98% Approval Rate (>= 75% required)	"TR" - 10
15 Abstain		"E" - 27
191 Ballots returned		"ER" - 3
2 Votes flipped to approve after end of ballot		



Adopted IEEE P802.3df Timeline (04 Oct 2022)



Legend

- ▲ IEEE 802 Plenary
- IEEE 802.3 Interim
- IEEE-SA Standards Board

Plans this Week

- **Tues 1pm to 6pm (pending completion)**
 - **Consider submitted comments**
- **Request approval to proceed to SA Ballot**
 - **Conditional / unconditional?**

THANK YOU!

