

IEEE 802 July 2023

**IEEE 802.3 Ethernet WG
Opening Plenary
10 July 2023**

**IEEE P802.3dj
200 Gb/s, 400 Gb/s, 800 Gb/s, and 1.6 Tb/s
Ethernet Task Force
Opening Report**



IEEE P802.3dj Task Force Project information

■ Organization

- John D'Ambrosia, Chair, IEEE P802.3dj Task Force
- Mark Nowell, Vice-Chair, IEEE P802.3dj Task Force; Chair, Optics Track
- Kent Lusted, Secretary, Chair, Electrical Track
- Matt Brown, IEEE P802.3dj Chief Editor
- Mark Gustlin, Chair, Architecture and Logic Track

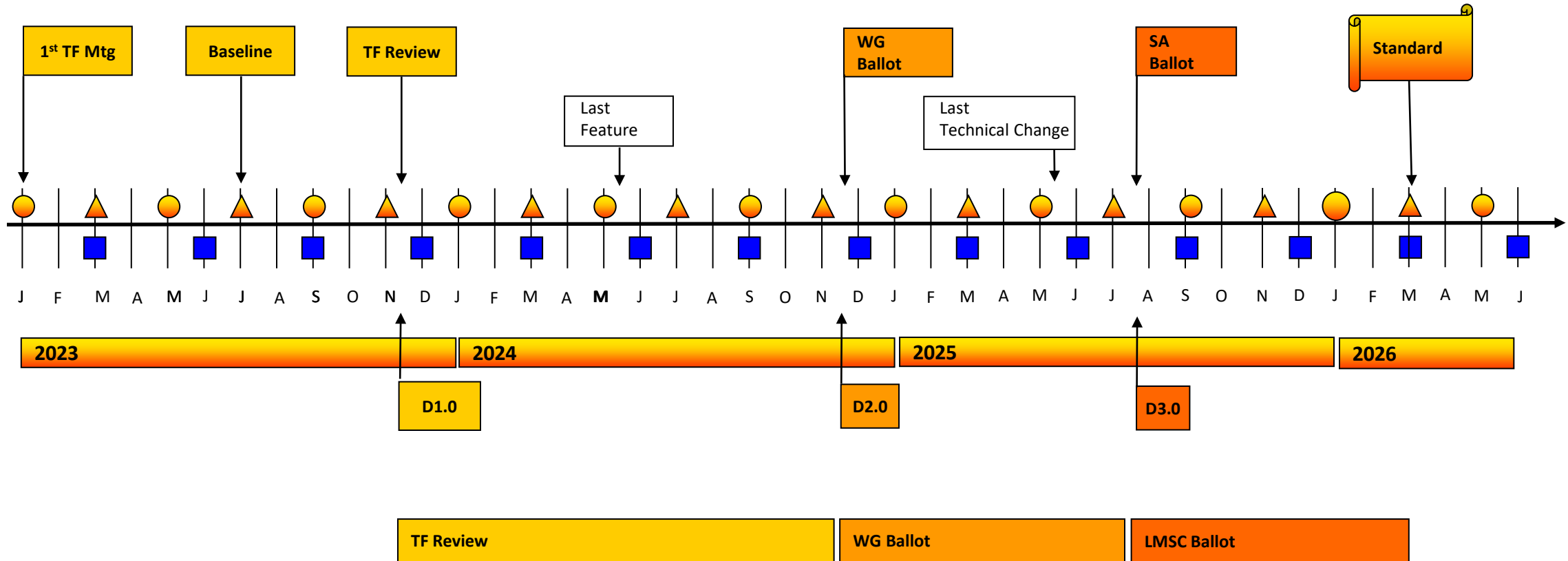
▪ Task force web and reflector information:

- Home page: <https://www.ieee802.org/3/df/index.html>
- Reflector Info - <https://www.ieee802.org/3/df/reflector.html>
 - TF Reflector: stds-802-3-b400g@listserv.ieee.org
 - Logic Reflector: stds-802-3-b400g-logic@listserv.ieee.org
 - Optical Reflector: stds-802-3-b400g-optx@listserv.ieee.org
 - Electrical Reflector: stds-802-3-b400g-elec@listserv.ieee.org

▪ Project Documentation –

- PAR : https://www.ieee802.org/3/dj/projdoc/P802d3dj_PAR.pdf
- CSD: <https://mentor.ieee.org/802-ec/dcn/22/ec-22-0256-00-ACSD-p802-3dj.pdf>
- Objectives: https://www.ieee802.org/3/dj/projdoc/objectives_P802d3dj_230518.pdf
- Adopted Timeline: https://www.ieee802.org/3/dj/projdoc/timeline_3dj_230116.pdf

Adopted IEEE P802.3dj Timeline (16 Jan 2023)



Legend

- ▲ IEEE 802 Plenary
- IEEE 802.3 Interim
- IEEE-SA Standards Board

Activities Since Mar 2023 Plenary

- **May 2023 Joint P802.3df / P802.3dj Session**
 - **41 Technical Presentations**
 - **Key Decisions** See https://www.ieee802.org/3/dj/projdoc/KeyMotions_3dj_a_230518.pdf
 - **Baseline Status Summary** – See https://www.ieee802.org/3/dj/projdoc/Baseline_Status_23_0518.pdf
- ▣ **Ad Hoc Meetings** <https://www.ieee802.org/3/dj/public/adhoc/index.html>
 - **Electrical Ad hoc** – 06 Apr, 20 Apr, 04 May, 22 Jun
 - **Joint Logic & Optics Ad hoc** – 13 Apr, 27, Apr, 15 Jun, 29 Jun

802.3dj May Plenary Plans

- **Joint P802.3df / 3dj Meetings:**
 - **Mon 1:00 pm to 6:00 pm**
 - **Tues 8:30 am to 12:00 pm (802.3df meeting 1pm – 6pm)**
 - **Wed 8:30 am to 6:00 pm**
 - **Thurs 8:00 am to 12:00 pm**

- **45 Technical Presentations**
 - **Including proposals related to**
 - **AUIs**
 - **CR objectives**
 - **DR / FR / LR SMF objectives**
 - **10 km / 40 km Single λ objectives**
 - **FEC Bypass**

THANK YOU!

