

IEEE P802.3.2(IEEE 802.3cf) YANG Data Model Definitions Task Force Closing Report

Yan Zhuang
Huawei Technologies
Vancouver, BC, Canada
16 March, 2017

IEEE P802.3.2 (.3cf) YANG Data Model Definitions

Task Force information

Task Force Organization

Yan Zhuang, Huawei Technologies, Chair

Marek Hajduczenia, Charter, Editor

Peter Jones, Cisco, Ad hoc Chair

Task force web and reflector information

Reflector information: <http://www.ieee802.org/3/cf/reflector.html>

Home page: <http://www.ieee802.org/3/cf/index.html>

PAR: http://www.ieee802.org/3/cf/IEEE_P802d3d2_220916_PAR.pdf

CSD: <http://www.ieee802.org/3/cf/ec-16-0142-00-ACSD-802-3cf.pdf>

Objectives: http://www.ieee802.org/3/cf/YANG_SG_objectives_v1.6.pdf

Private area:

<http://www.ieee802.org/3/cf/private/index.html>

IEEE 802.3cf Activities this week

11 people met for ½ day, covering 8 presentations.

Accomplishments:

- Reviewed and adopted baseline proposals for Ethernet interface modules.
- Reviewed and baseline proposals for PSE module
- Decide to suggest potential additions to Clause 30

Passed 2 technical motions.

Motions

- Motion4#:
- Move to adopt the baseline proposals for P802.3.2 as per “baseline texts for ieee802-ethernet-interface module v0.3.docx”, “wilton_3cf_01a_0317.txt”, “wilton_3cf_02a_0317.txt” and “wilton_3cf_03a_0317.txt”, “li_3cf_01a_0317.txt”, “li_3cf_02a_0317.txt” and “Baseline texts for ieee802-pse module v0.3docx”
- Create informative annex suggesting changes to 802.3 Clause 30 to support P802.3.2.

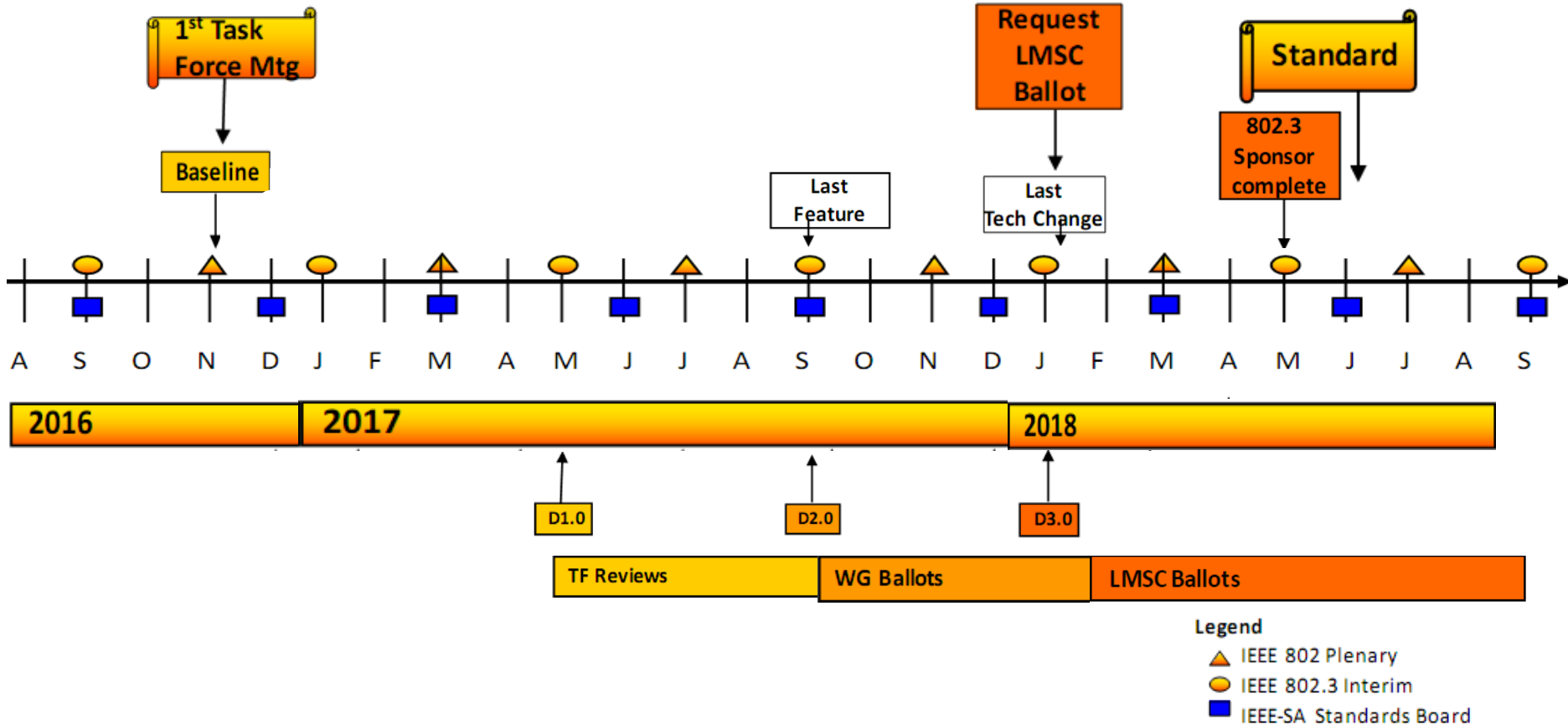
Move: Marek Hajduczenia Second: Mark Laubach

Yes: 9 No: 0 Abstain: 0 (Technical >75%) Passes

Motions

- Motion5#:
- Charter the editor to create draft 0.1 incorporating all adopted baseline proposals and circulate to Task Force for comments.
- Move: Marek Hajduczenia Second: Duane Remein
Yes: 9 No: 0 Abstain: 0 (Technical >75%) Passes

IEEE P802.3.2(.3cf) Task Force Draft Timeline



Draft proposal

Questions?

Thank you!