

IEEE P802.3ct Task Force:
100 Gb/s over DWDM Systems

IEEE P802.3cw Task Force:
400 Gb/s over DWDM Systems

Opening Report

John D'Ambrosia

Futurewei, U.S. Subsidiary of Huawei
IEEE 802 Nov 2020 Electronic Plenary

Mar 8, 2021

IEEE P802.3ct Task Force Project information

Task Force Organization

- John D'Ambrosia, Chair, IEEE P802.3ct Task Force
- Editorial Team
 - Tom Issenhuth – Chief Editor
 - Peter Stassar – 100 GbE Optical PHY Clause
 - Steve Trowbridge - 100 GbE PCS/FEC/PMA Extender Clauses
- Task force web and reflector information
 - Reflector: <http://www.ieee802.org/3/ct/reflector.html>
 - Home page: <http://www.ieee802.org/3/ct/index.html>
- Project Documentation –
 - PAR : http://www.ieee802.org/3/ct/ProjDoc/P802.3ct_200215.pdf
 - CSD: <http://www.ieee802.org/3/ct/ProjDoc/ec-18-0249-01-ACSD-p802-3ct.pdf>
 - Objectives: http://www.ieee802.org/3/ct/ProjDoc/3ct_Objectives_190911.pdf
 - Timeline: http://www.ieee802.org/3/ct/ProjDoc/timeline_3ct_200121.pdf
- Ad Hoc page: <http://www.ieee802.org/3/ct/public/adhoc/index.html>

IEEE P802.3cw Task Force Project information

Task Force Organization

- John D'Ambrosia, Chair, IEEE P802.3cw Task Force
- Editorial Team
 - Tom Issenhuth – Chief Editor, 400 GbE Optical PHY Clause
 - David Lewis - 400 GbE PCS/PMA Clauses
- Task force web and reflector information
 - Reflector: <http://www.ieee802.org/3/ct/reflector.html>
 - Home page: <http://www.ieee802.org/3/cw/index.html>
- Project Documentation –
 - PAR : http://www.ieee802.org/3/cw/proj_doc/P802d3cw_PAR.pdf
 - CSD: <https://mentor.ieee.org/802-ec/dcn/19/ec-19-0219-00-ACSD-p802-3cw.pdf>
 - Objectives: http://www.ieee802.org/3/cw/proj_doc/3cw_Objectives_190911.pdf
 - Timeline: https://www.ieee802.org/3/cw/proj_doc/timeline_3cw_200402.pdf
- Ad Hoc page: <http://www.ieee802.org/3/ct/public/adhoc/index.html>

Activities Since Nov 2020

- IEEE P802.3ct / .3cw Jan 2021 Interim - https://www.ieee802.org/3/ct/public/21_01/index.html
- Series of Task Force (.3ct or .3cw) and Joint Task Force (.3ct & .3cw) Interim Teleconference Meetings - See http://www.ieee802.org/3/ct/public/tf_interim/index.html
 - 11/23, 12/3, 12/10, 12/14, 12/17, 1/11, 2/4, 2/15, 2/18, 3/4
- IEEE P802.3ct
 - Terminology (Part II) Ad hoc – 2/12, 2/16, 3/2
 - WG Ballot completed (D2.0, D2.1, D2.2)
 - SA Ballot – first recirculation – Draft 3.1 (Opened 1/15, Closed 1/30)
- IEEE P802.3cw
 - Baseline Refinement
 - Optical Crosstalk Ad hoc – 12/2, 12/9, 12/21, 2/1, 2/12

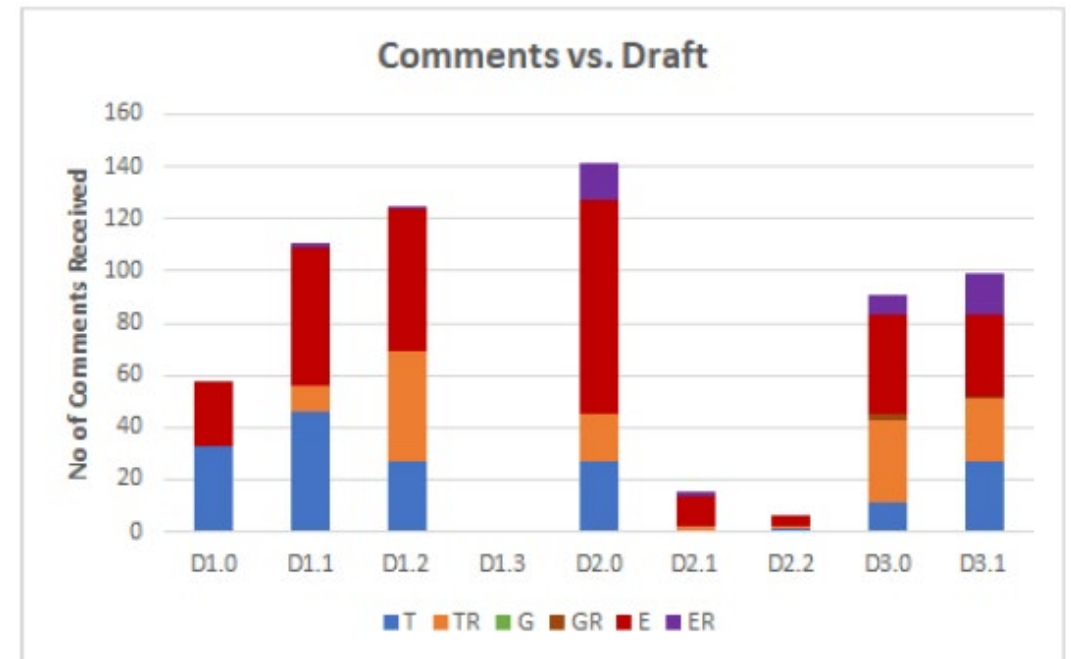
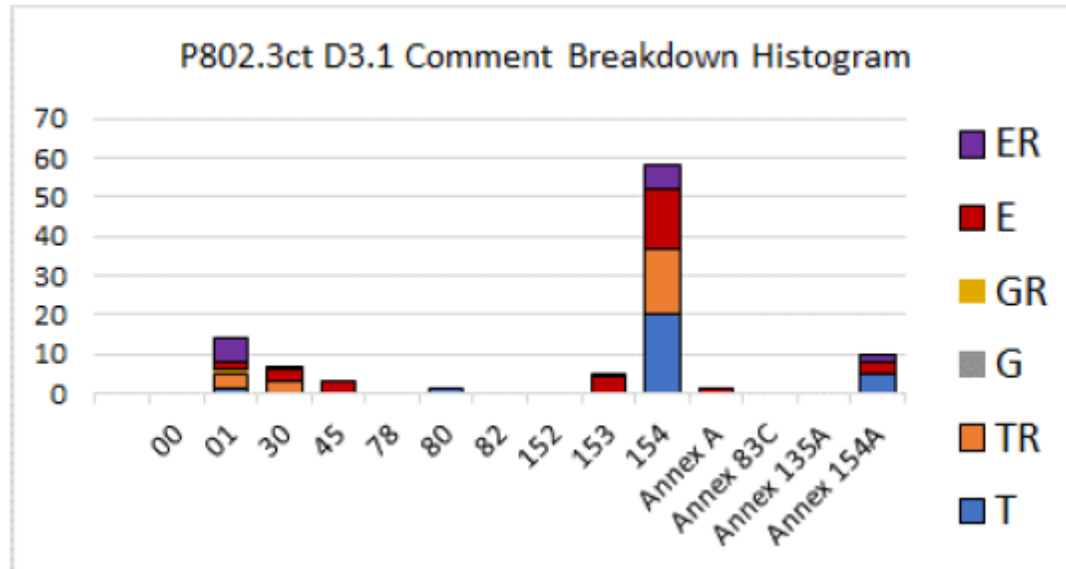
IEEE P802.3ct IEEE SA First Recirculation Ballot (D3.1)

- Ballot Open – 1/15/21, Closed 1/30/21
- Ballots
 - 103 Voters
 - 80 Approve
 - 8 Disapprove
 - 3 Abstain
 - 8991 Ballots returned
- Ballot Return Statistics
 - 88% Response Rate ($\geq 75\%$ required)
 - 3% Abstain Rate ($< 30\%$ required)
 - 90% Approval Rate ($\geq 75\%$ required)

Thanks to all who participated!

Comment Breakdown

Description	Clause	T	TR	G	GR	E	ER	Total
Front Matter	00							0
Introduction	1	1	4		1	2	6	14
Mgmt	30		3			3	1	7
Mgmt (MDIO)	45					3		3
EEE	78							0
Introduction 40/100	80	1						1
PCS	119							0
Inverse RS-FEC	152							0
100GBASE-ZR PMA	153					4	1	5
100GBASE-ZR PMD	154	20	17			15	6	58
Bibliography	Annex A					1		1
100GBASE-ZR Applications	Annex 154A	5				3	2	10
Total Comments		27	24	0	1	31	16	99



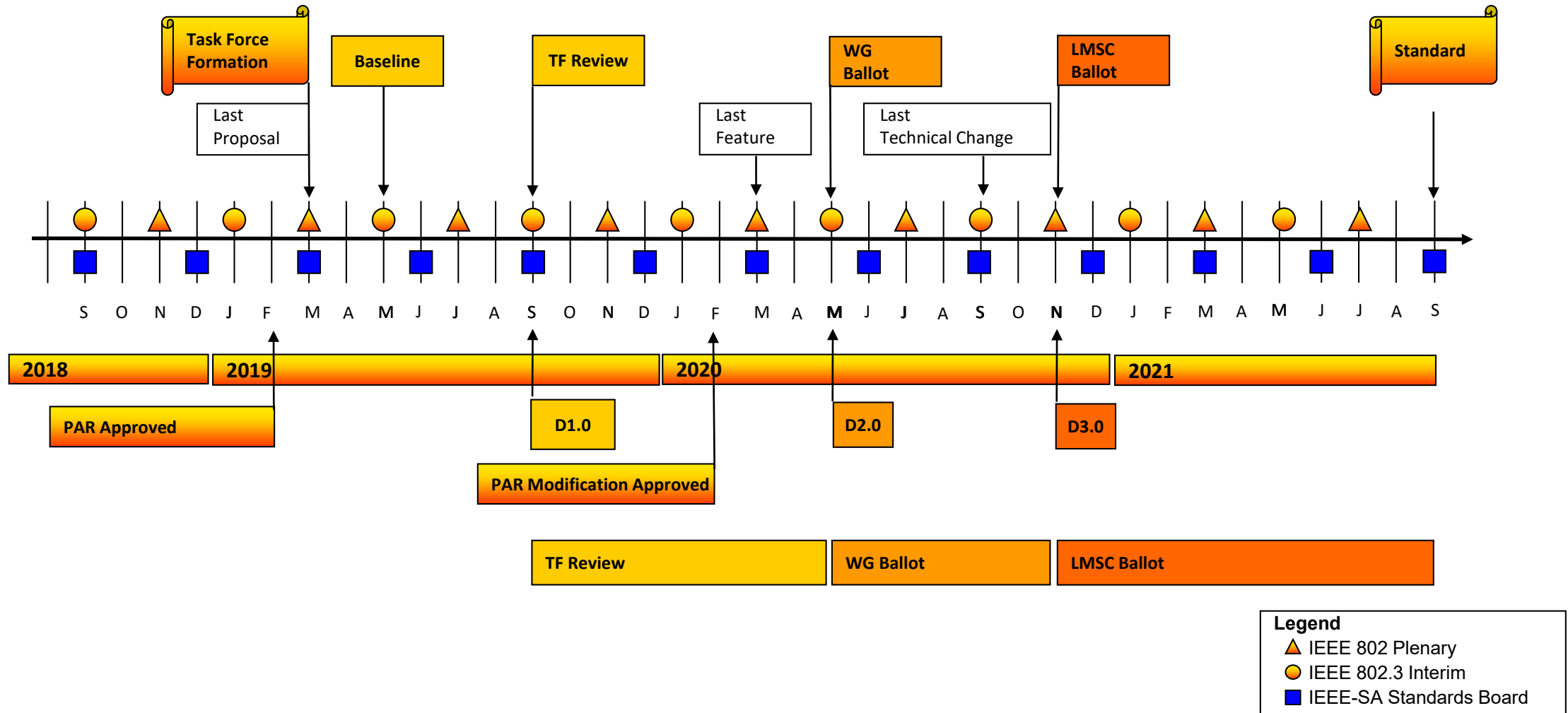
Joint Task Force Meeting Week Plan

➤ Tues (3/9), 10am to noon, ET

- Teleconference Access Info – <https://www.ieee802.org/3/calendar.html>
- Agenda
 - IEEE P802.3ct –
 - Consideration of comments submitted against D3.1 (if necessary)
 - Approval of generating D3.2, if not done at prior TF interim meeting
 - Approve request conditional approval to submit to RevCom
 - IEEE P802.3cw –
 - Consideration of proposed response to OIF Liaison

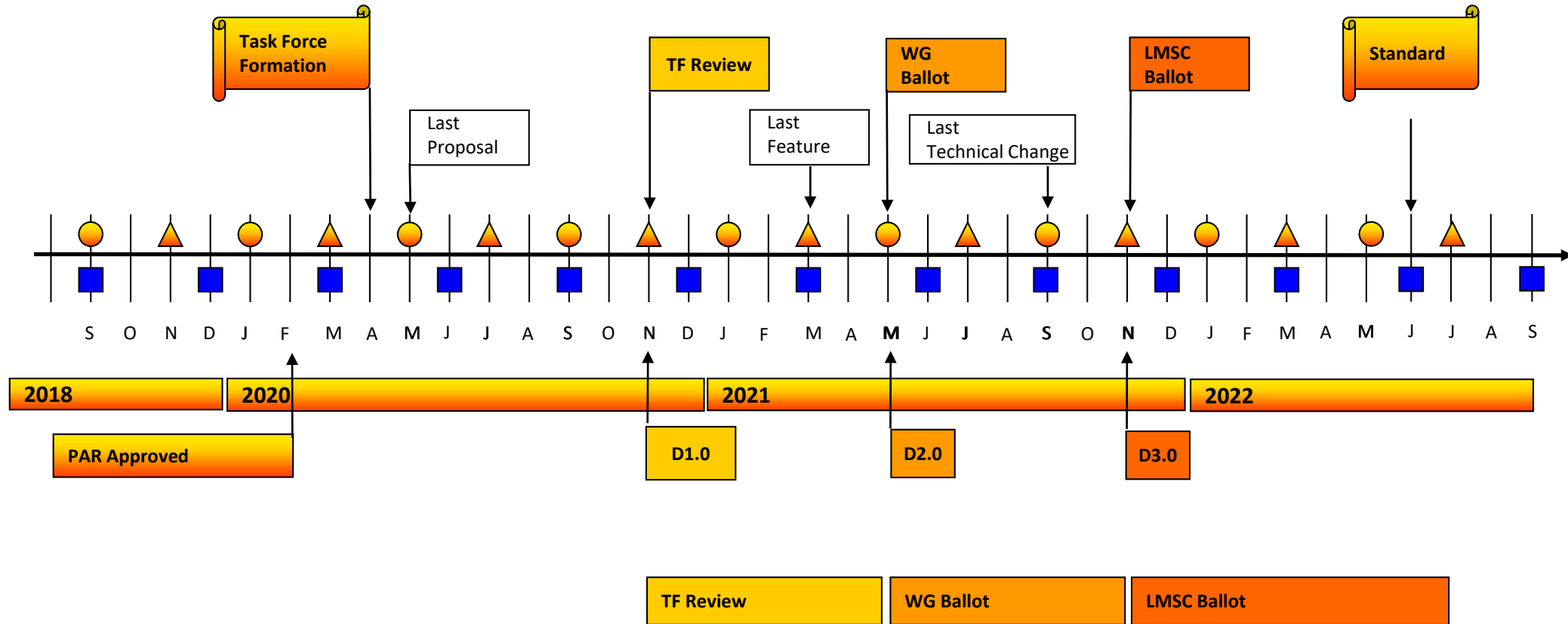
Adopted IEEE P802.3ct Timeline

Adopted –Jan 2020



Adopted IEEE P802.3cw Timeline

Adopted by IEEE P802.3cw TF -02 Apr 2020



Legend

- ▲ IEEE 802 Plenary
- IEEE 802.3 Interim
- IEEE-SA Standards Board

Questions?

Thank you!