

IEEE P802.3cw Task Force: 400 Gb/s over DWDM Systems

Opening Report

John D'Ambrosia

Futurewei, U.S. Subsidiary of Huawei
IEEE 802 Mar 2023 Electronic Plenary

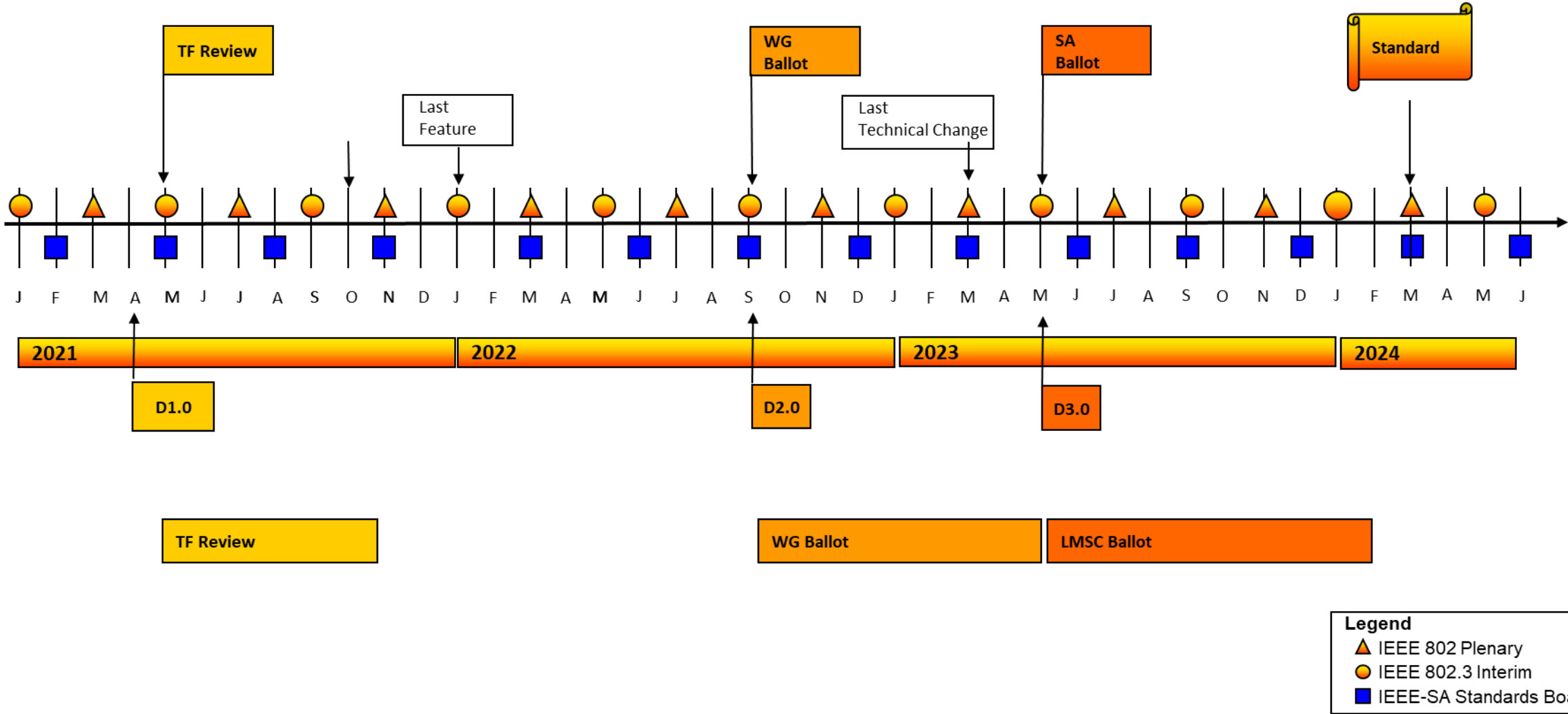
13 Mar 2023

IEEE P802.3cw Task Force Project information

Task Force Organization

- John D'Ambrosia, Chair, IEEE P802.3cw Task Force
- Editorial Team
 - Tom Issenhuth – Chief Editor, 400 GbE Optical PHY Clause
 - Leon Bruckman - 400 GbE PCS/PMA Clauses
- Task force web and reflector information
 - Reflector: <http://www.ieee802.org/3/ct/reflector.html>
 - Home page: <http://www.ieee802.org/3/cw/index.html>
- Project Documentation –
 - PAR : http://www.ieee802.org/3/cw/proj_doc/P802d3cw_PAR.pdf
 - CSD: <https://mentor.ieee.org/802-ec/dcn/19/ec-19-0219-00-ACSD-p802-3cw.pdf>
 - Objectives: http://www.ieee802.org/3/cw/proj_doc/3cw_Objectives_190911.pdf
 - Timeline: https://www.ieee802.org/3/cw/proj_doc/timeline_3cw_220321.pdf
- Ad Hoc page: <http://www.ieee802.org/3/ct/public/adhoc/index.html>

Updated Timeline (Adopted by IEEE P802.3cw TF – 21 Mar 2022)



Activities Since Nov 2022 Plenary

- D2.1 -
 - Major rewrite of Clause 155 and parts of 156 completed
- First recirculation WG Ballot
 - Opened – Sunday 5th Mar 2023
 - Closed – Fri 14th Apr 2023

A Note of Thanks

I would like to thank the IEEE P802.3cw Editorial Team and the following individuals for their efforts in generating D2.1:

- ❑ IEEE P802.3cw Editorial Team
 - ❑ Tom Issenhuth
 - ❑ David Lewis
 - ❑ Leon Bruckman
- ❑ Others
 - ❑ Matt Brown
 - ❑ David Law
 - ❑ Kent Lusted
 - ❑ Eric Maniloff
 - ❑ Gary Nicholl
 - ❑ Mike Sluyski
 - ❑ George Zimmerman

Plans Going Forward

- No meeting this week

Questions?

Thank you!